

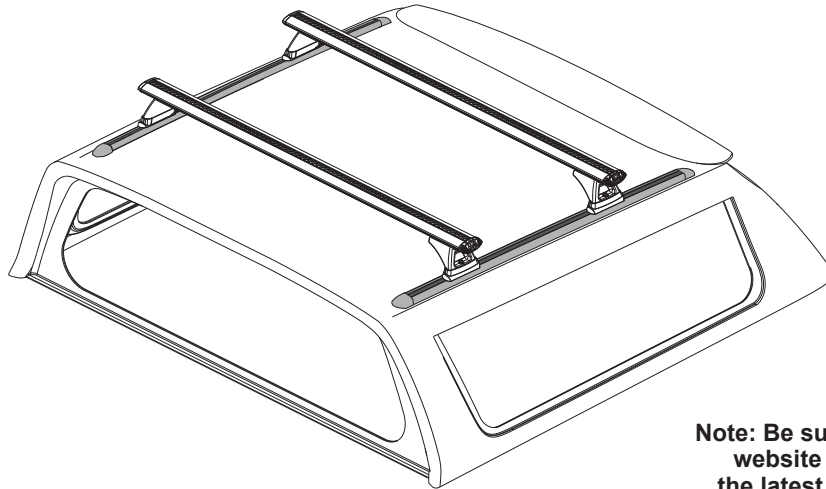


RHINO-RACK

Flexiglass - FlexiXover Canopy RTCFG02 RTCFG03

Important: Please read these instructions carefully prior to installation. Please refer to your fitting instruction to ensure that the Canopy Rack System is installed in the correct location. Check the contents of kit before commencing fitment and report any discrepancies. Place these instructions in the vehicle's glove box after installation is complete.

Fit Time: 1 Hour



Note: Be sure to check Rhino-Rack website to ascertain if you have the latest version of instructions.

Important Information

Maximum carrying capacity:

On Road Cargo Allowance	Unsealed Road Cargo Allowance	Roof Allowance	Rack Weight
95kg / 209lb	66kg / 145lb	100kg / 220lb	5kg / 11lb

Roof Allowance: Total permissible weight attached to the roof of the car. This is inclusive of the weight of the roof rack system

Cargo Allowance: Total permissible weight allowed on top, and attached to roof racks whilst the vehicle is in motion

Please refer to your vehicle manufacturers handbook for maximum carrying capacity. Always use the lower of the two figures. Load must be evenly distributed over the entire Pioneer. Weight of roof rack accessories is to be included in cargo allowance.

Torque settings

Unless stated otherwise in these instructions, all fasteners should be set to the following torque settings -

M6: 4-5Nm (3-4lbs/ft), M8: 8-10Nm (6-7.5lbs/ft) and M10: 16-18Nm (12-13lbs/ft).

Warning:

- Check Part No. and/ or Kit is correct for use with your vehicle
- Do not attempt to fit the rack system to your vehicle unless you fully understand these fitting instructions. Please direct any questions regarding fitting to the dealer from where the roof racks were purchased.
- **Use only non-stretch fastening ropes or straps.**
- The handling characteristics of the vehicle changes when you transport a load on the roof. For safety reasons we recommend you exercise extreme care when transporting wind-resistant loads. Special consideration must be taken into account when cornering and braking.
- Although the system is tested and approved to AS1235-2000 / ISO 11154, off-road conditions can be much more rigorous. Extreme care must be taken in off road conditions

Recommendations:

It is essential that all bolt connections be checked after driving a short distance when you first install your roof racks. Bolt connections should be checked again at regular intervals (once a week is enough, depending on road conditions, usage, loads and distances travelled). You should also check the roof racks each time they are re-fitted. Always make sure to fasten your load securely. Please also ensure that all loads are evenly distributed and that the centre of gravity is kept as low as possible and must be entirely contained within the extents of the roof racks.

Note for Dealers and Fitters:

It is your responsibility to ensure these fitting instructions are given to the end user or client

Rhino-Rack, 22 Hanson St, Eastern Creek

NSW 2766, Australia

(02) 8846 1900

rhinorack.com.au

Document No: R442

Prepared By: Kayle Everett

Authorised By: Rod Renkin

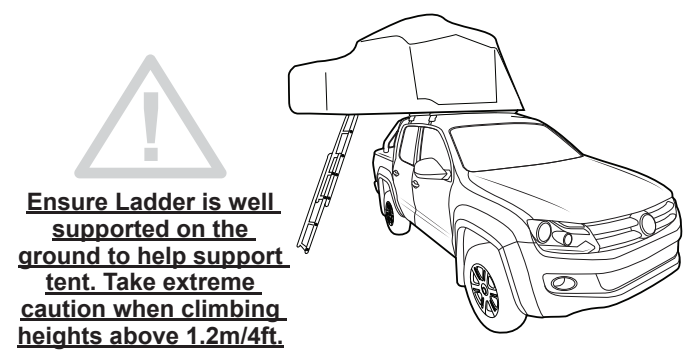
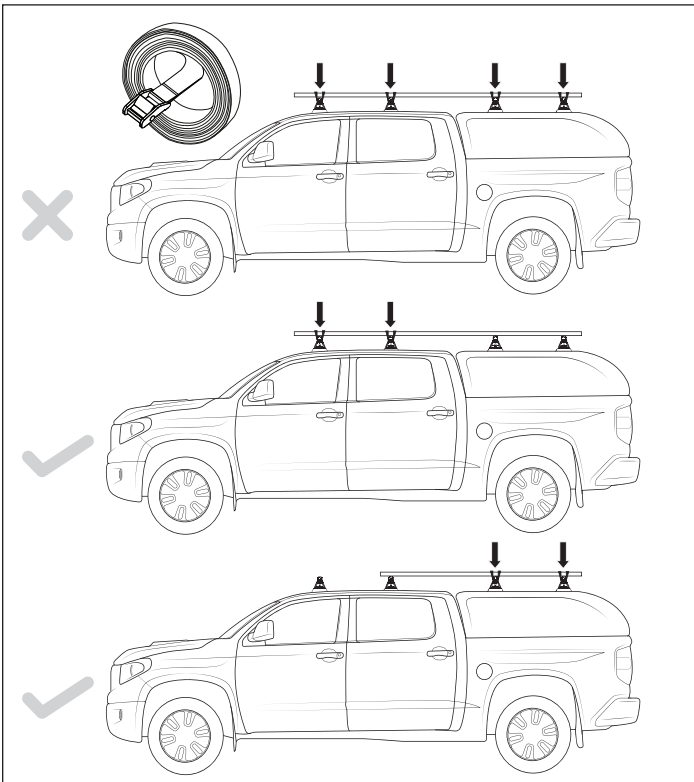
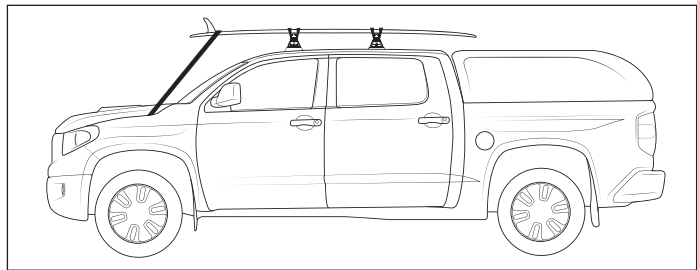
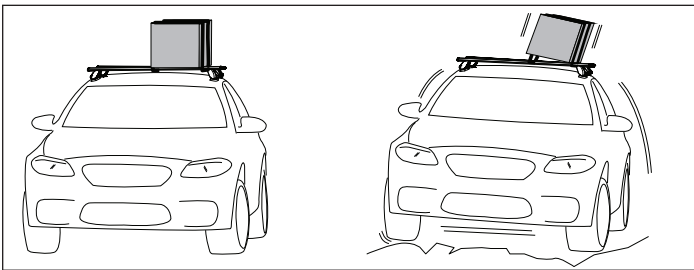
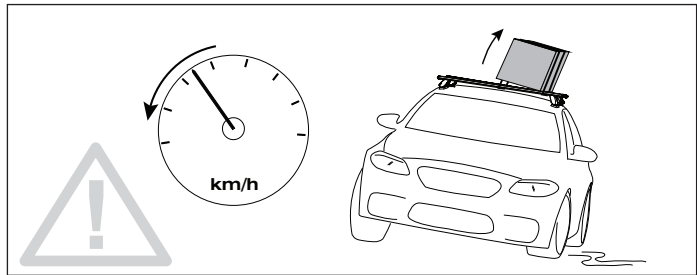
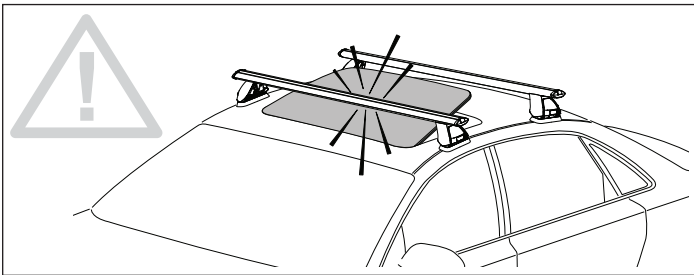
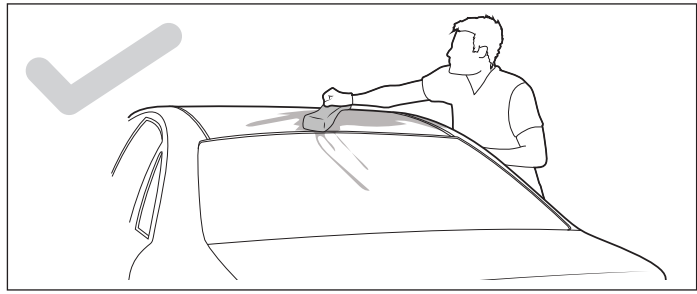
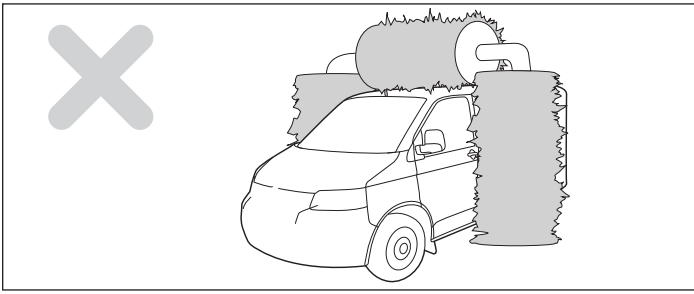
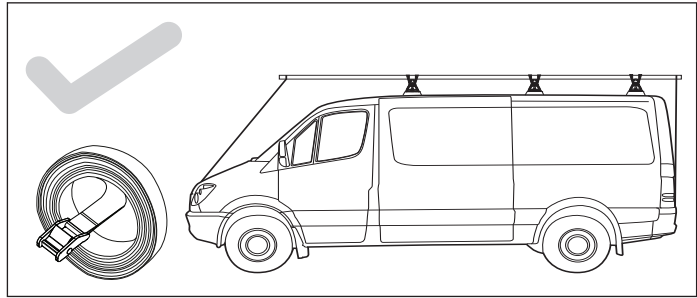
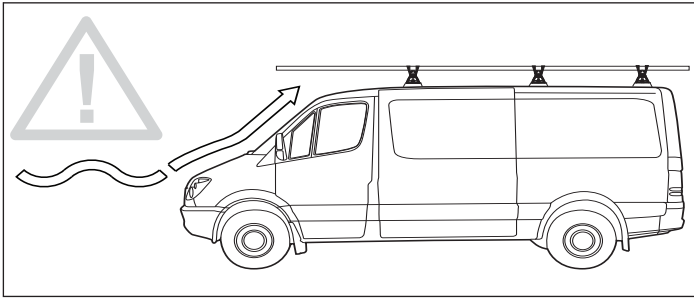
Issue No: 04

Issue Date: 27/09/2018

These instructions remain the property of Rhino-Rack Australia Pty. Ltd. and may not be used or changed for any other purpose than intended.



Flexiglass - FlexiXover Canopy RTCFG02 RTCFG03





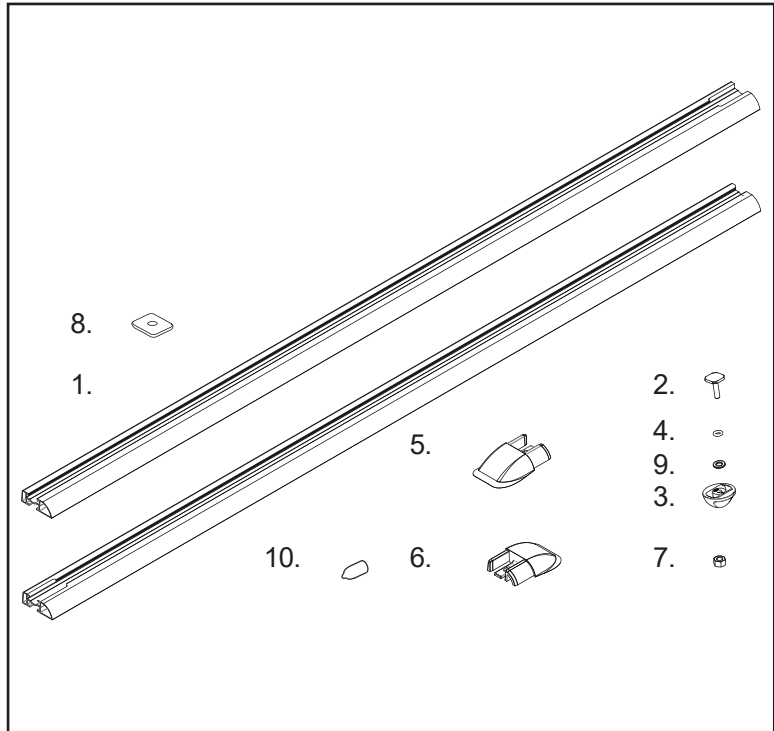
Flexiglass - FlexiXover Canopy RTCFG02 RTCFG03

Parts List

Item.	Description.	Qty.		Part.
		R	L	
1	RTC Track	1	1	RTC11 or RTC10
2	12 x M6x35 T-Bolts		12	B129
3	Track Knobs		12	M175
4	O Ring		8	C347
5	Track End Cap FR RL		2	M525
6	Track End Cap FL RR		2	M526
7	M6 Nyloc Nut		12	N013
8	Butyl Patches		12	CA1397
9	S/S Flat Washer		12	W054
10	Rubber End Cap		12	C310
11	Instructions		1	R442

Tools Required

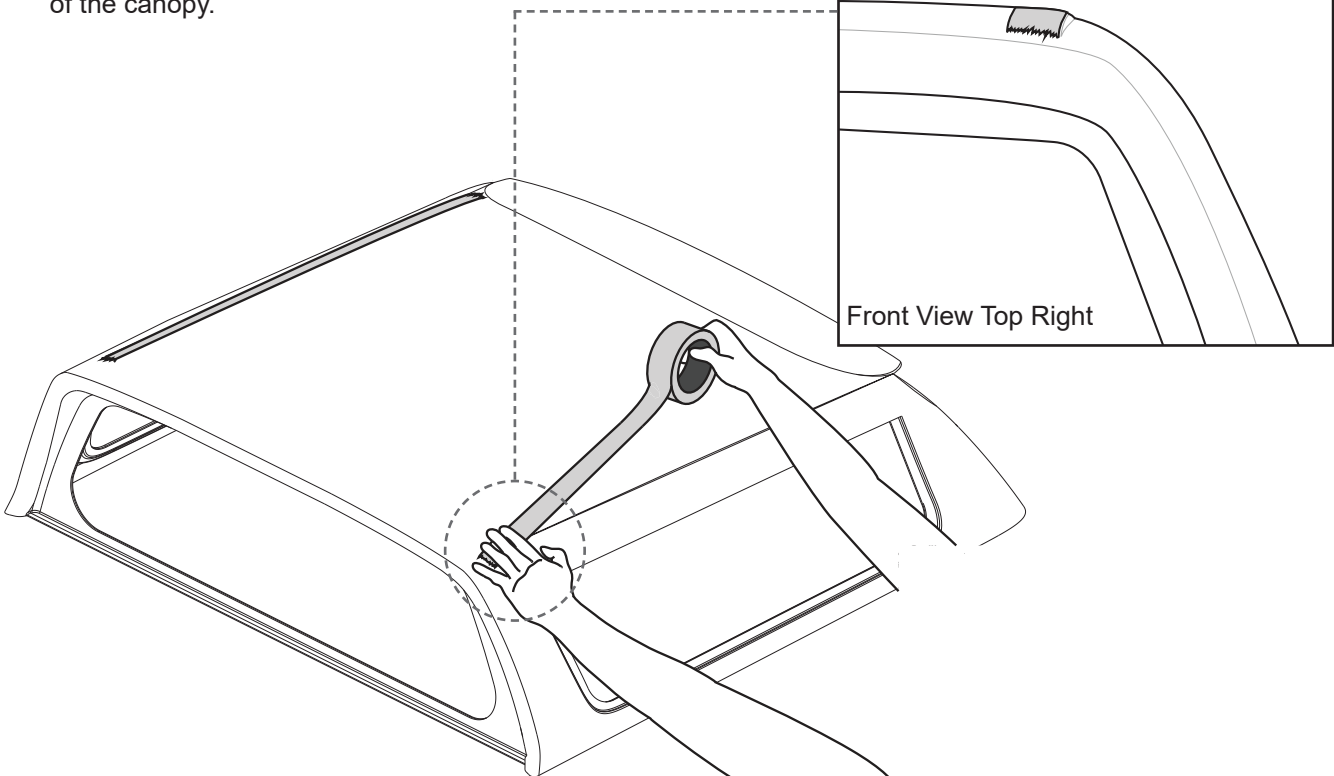
- | | |
|------------------|--------------------|
| 1. Drill | 5. 6.5mm Drill Bit |
| 2. Masking Tape | 3. Marker |
| 4. 3mm Drill Bit | |



Kit.	Vehicle Fitments	Part.	Note
1	Triton - Hilux	RTCFG02	RTC Track lengths will differ depending on kit purchased. Be sure to select the appropriate kit.
2	Amarok, DMAX, D40, Colorado, Ranger, BT50	RTCFG03	

- 1** Place masking tape onto the canopy to adequately cover the approximate area to be drilled protecting the polished canopy finish from being scratched during installation. The Tape should follow the ridge line that runs along both the left and right sides of the canopy.

Run the tape along this ridge on the high side.

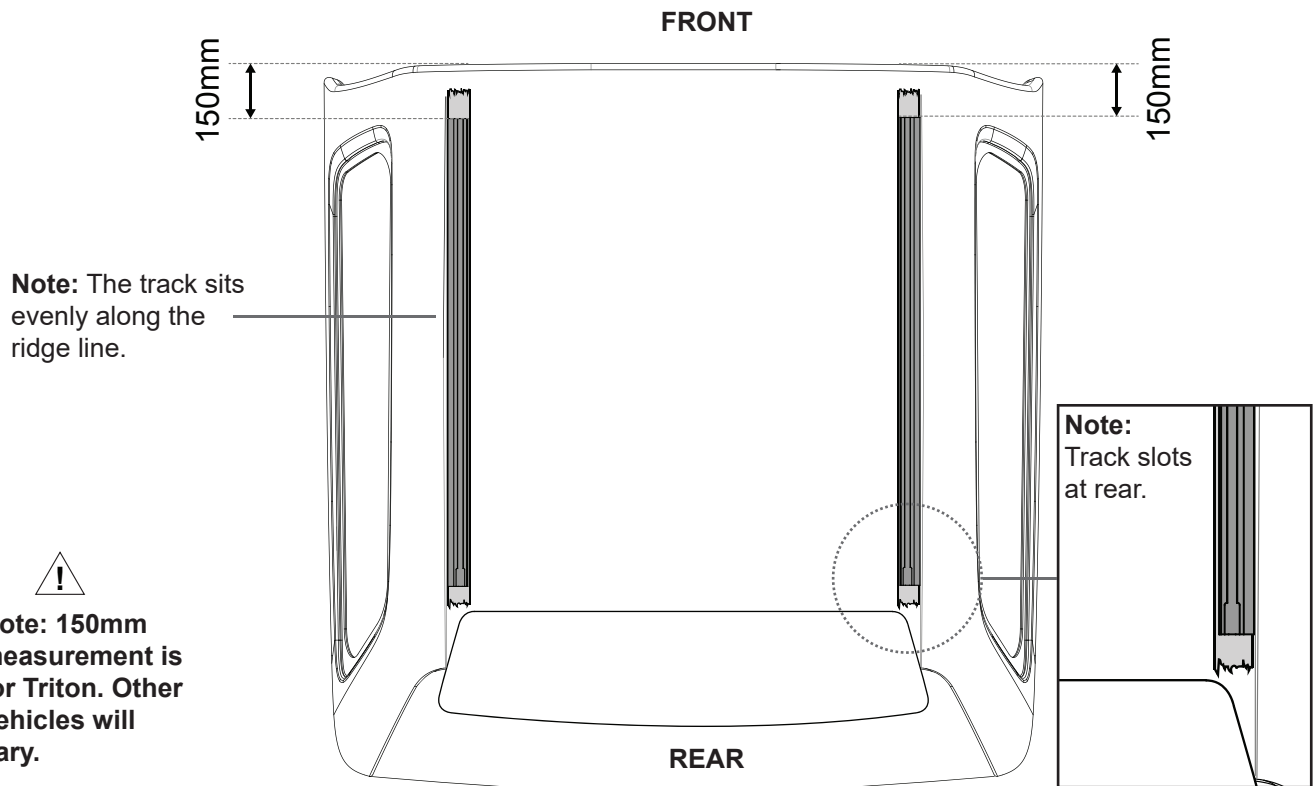




Flexiglass - FlexiXover Canopy RTCFG02 RTCFG03

2

Position the track on the canopy roof so that it fits evenly along the high side of the roof ridges, illustrated below. The aluminium track should be spaced 150mm from the front of the canopy.

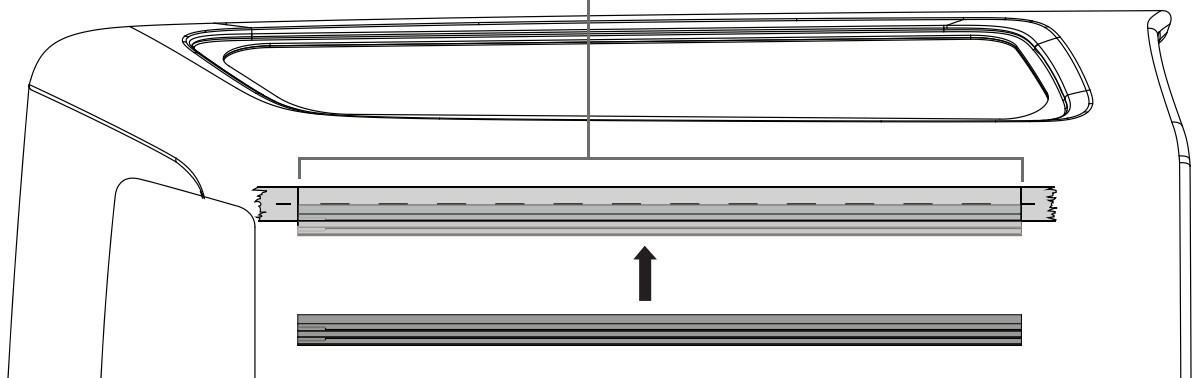
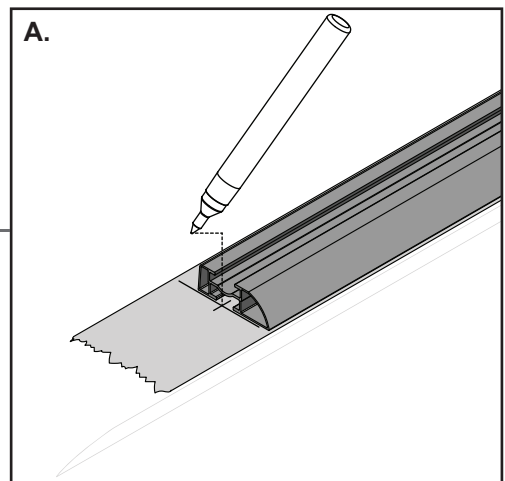


RTCFG02 Pictured

3

A: With the track in place, mark the centre point of the C-Channel at the **FRONT** and **REAR**. **B:** With these two points marked, use the tracks as a straight edge and join these points with a marker. Remove the track.

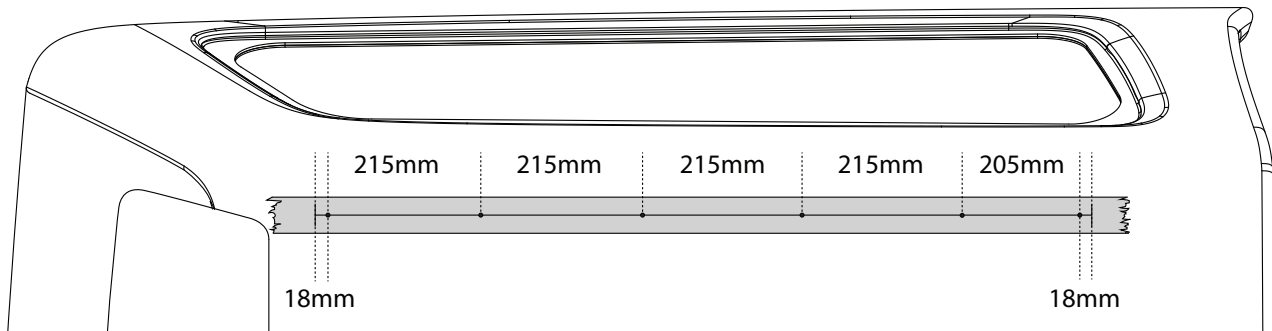
B. Use the Track as straight edge and join both centre points marked in step A.



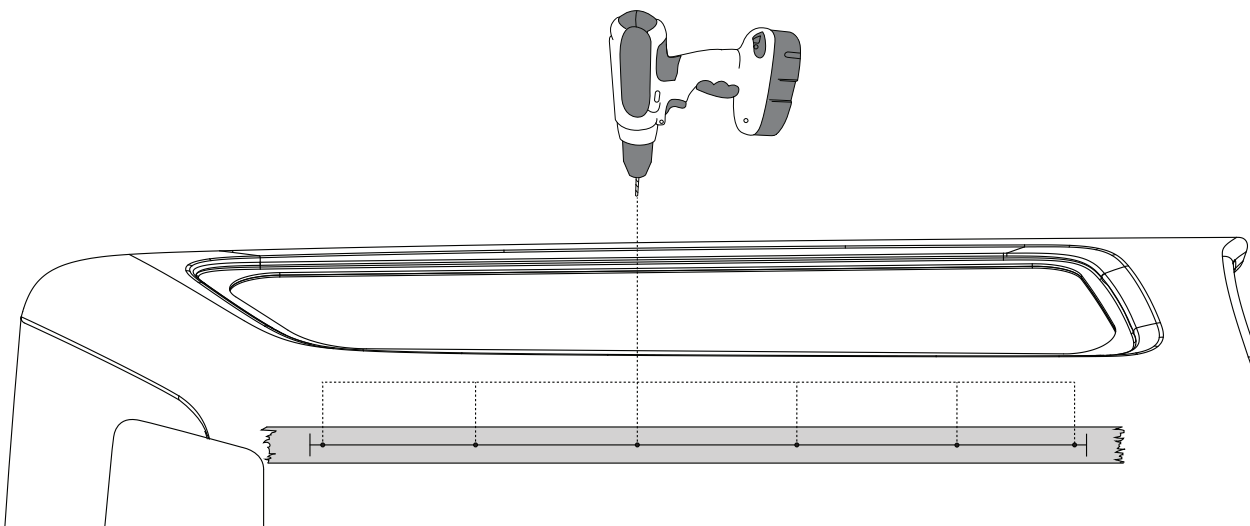


Flexiglass - FlexiXover Canopy RTCFG02 RTCFG03

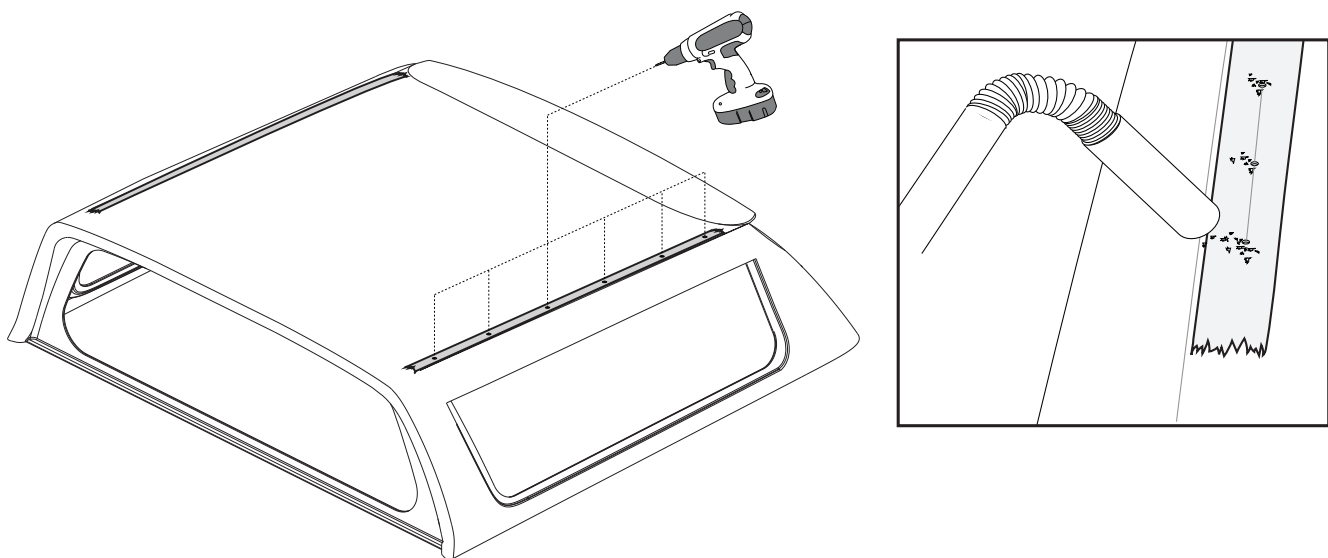
- 4** Measure inward 18mm from both of the centre lines as illustrated and make a reference point. Moving from the front measure back toward the rear 205mm and mark a point. From this point move back 215mm and mark a point, repeat until you meet the reference mark 18mm from the rear.



- 5** Using a **3mm** Drill Bit, drill through canopy with a pilot hole.



- 6** Using a **6.5mm** Drill Bit, drill out pilot holes completed in previous step. Drill through the canopy. Remove all swarf with a vacuum.

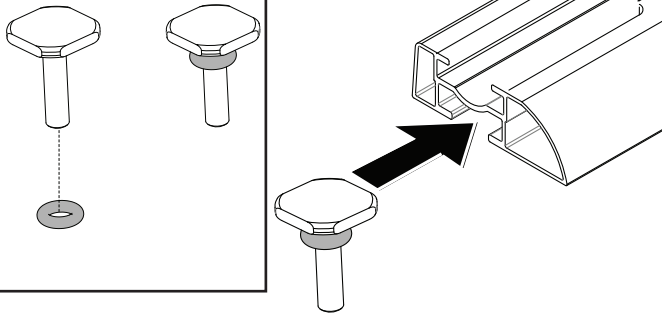




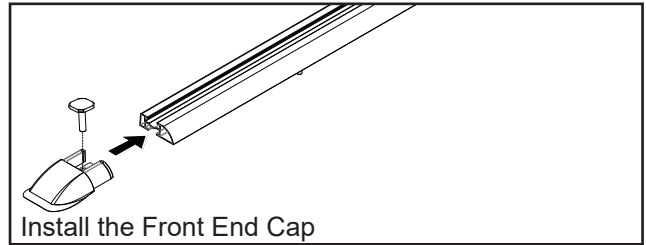
Flexiglass - FlexiXover Canopy RTCFG02 RTCFG03

- 7** Slide an O Ring onto four T-Bolts. Slide these four T-Bolts into the C-Channel of the Track.

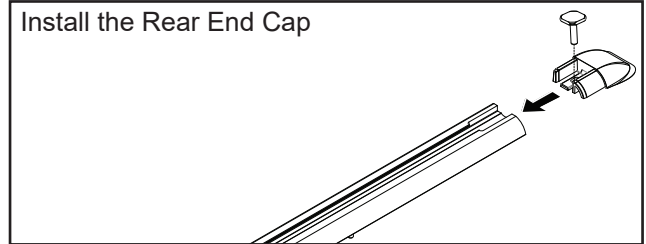
Slide an O Ring onto the T-Bolt as shown.



- 8** Slide a T-Bolt through the holes in the front and rear end caps. Install into the tracks.

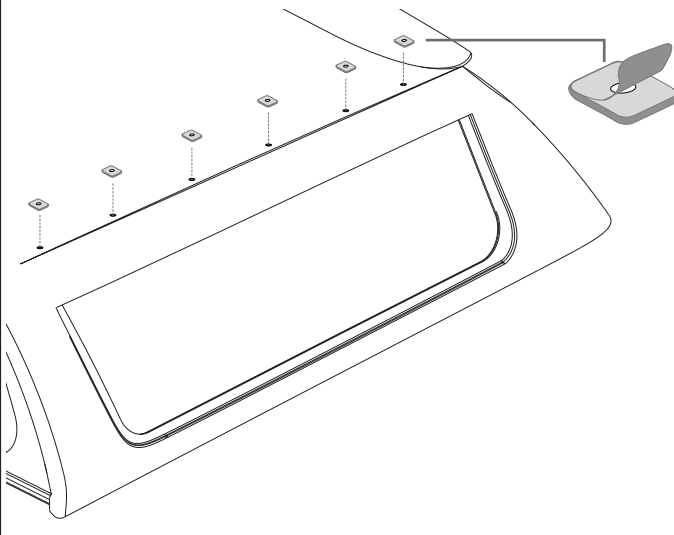


Install the Front End Cap

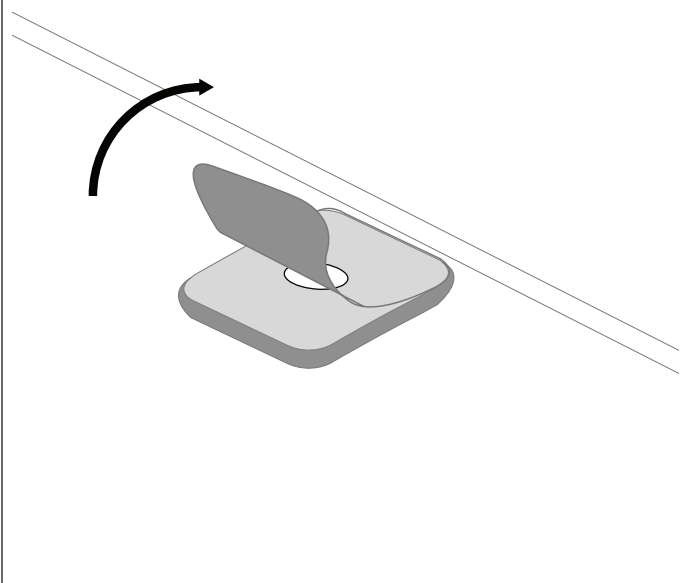


Install the Rear End Cap

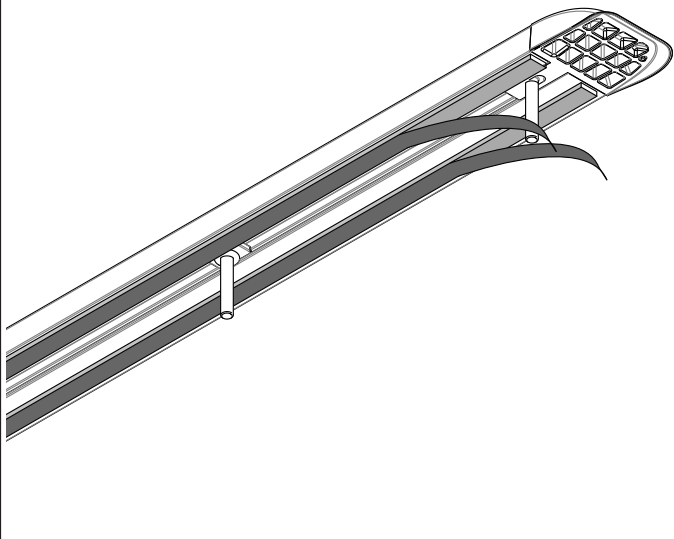
- 9** Remove one side of the backing tape from six butyl patches. Using the adhesive exposed, stick the patches to the canopy over the drilled holes.



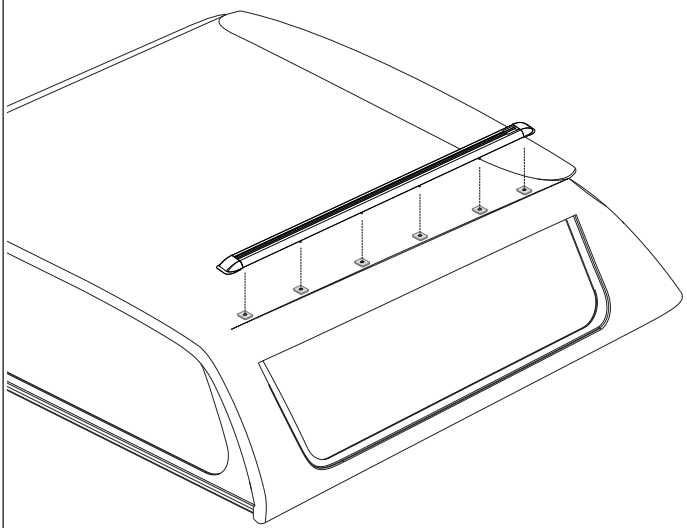
- 10** Remove the remaining tape from the butyl patches.



- 11** Remove the backing tape from the pads on the underside of the track.



- 12** Place the track onto the roof as shown. Slide the exposed T-Bolts through the holes in the canopy.

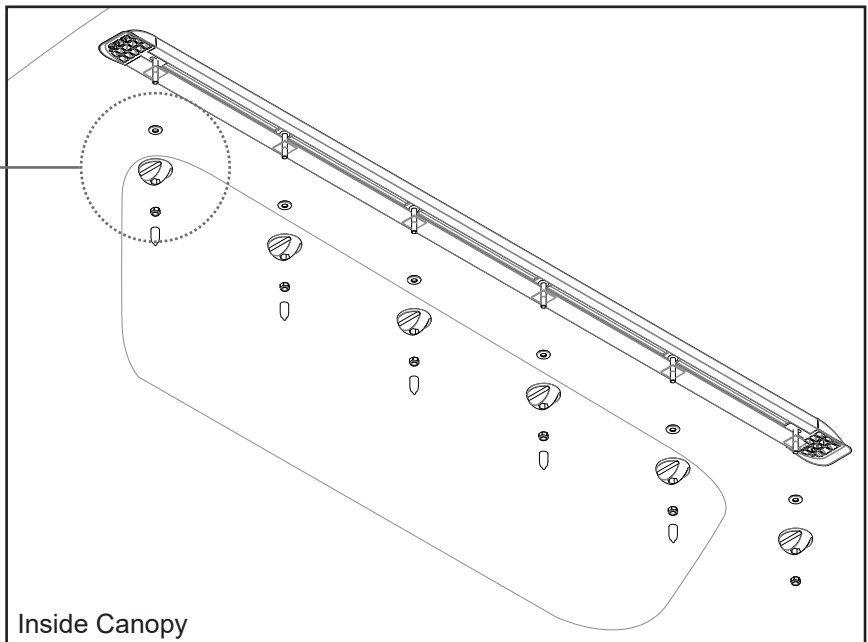
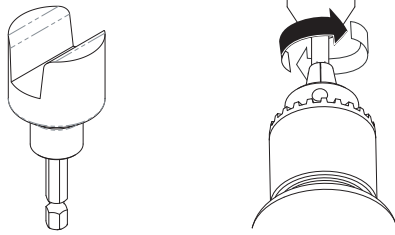




Flexiglass - FlexiXover Canopy RTCFG02 RTCFG03

13 From inside the canopy slide an M6 washer and a Track Nut over each T-Bolt. With this hardware in place put a Nyloc Nut over each. Tighten this by turning the Track Nut clock wise.

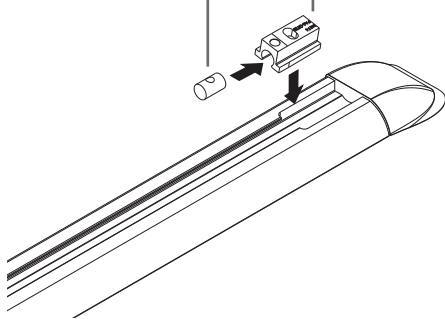
Track Knob Tool (C840) can be purchased as separate. When used in a drill will allow for a quicker and easier fitment.



Note: Legs as separate

14 In the rear of the track, insert the dowel nut and housing.

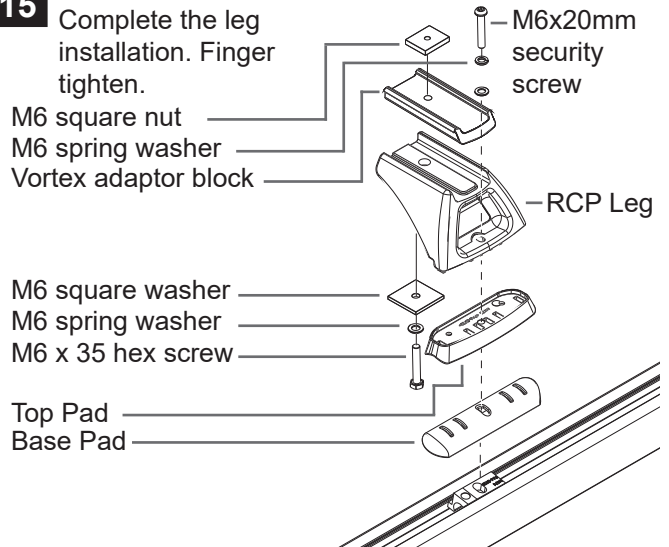
M6 Dowel Nut Housing
M6 Dowel Nut



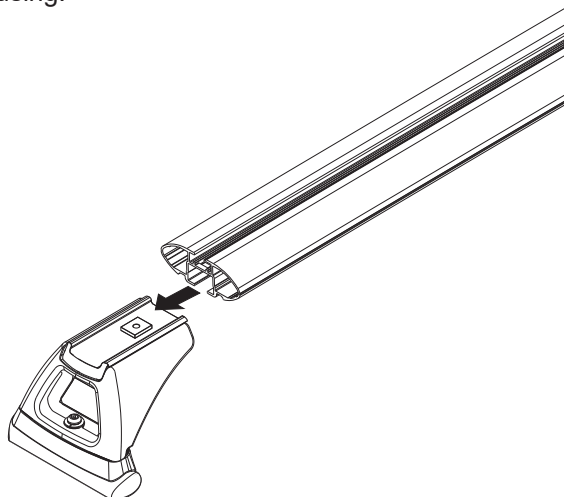
15 Complete the leg installation. Finger tighten.

M6 square nut
M6 spring washer
Vortex adaptor block
M6 square washer
M6 spring washer
M6 x 35 hex screw
Top Pad
Base Pad

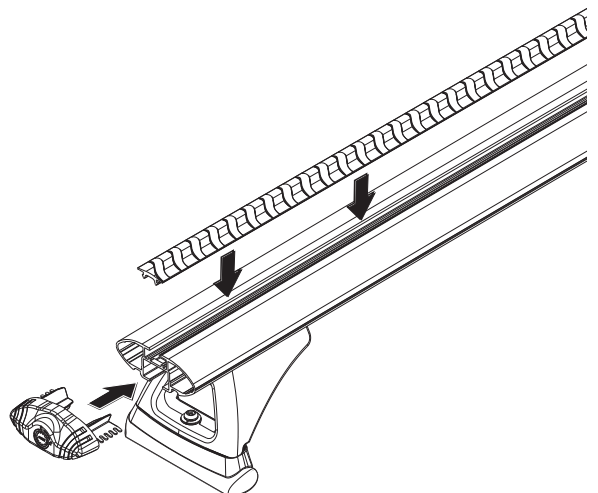
M6x20mm security screw
RCP Leg



16 In the rear of the track, insert the dowel nut and housing.



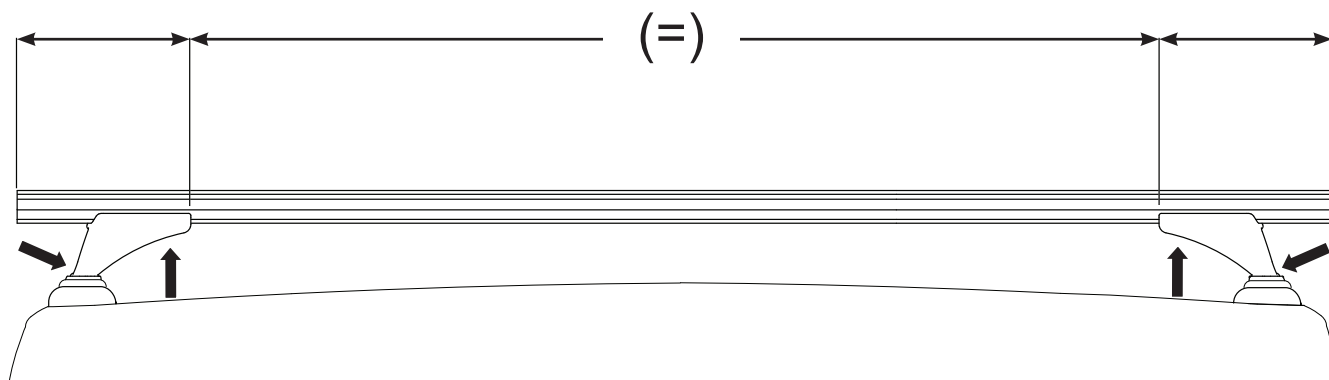
17 Insert the end caps and vortex rubber into bars. Note: Metal locking cores sold separately.



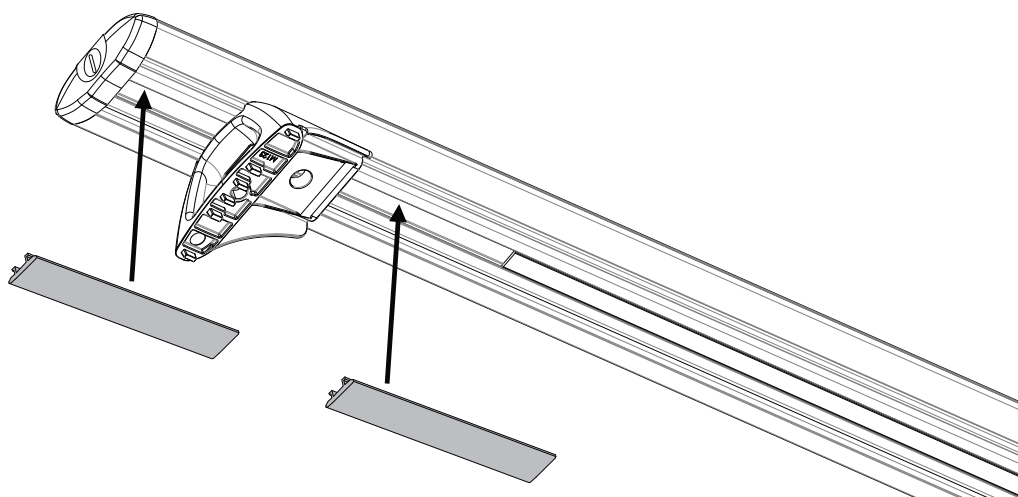


Flexiglass - FlexiXover Canopy RTCFG02 RTCFG03

- 16** Adjust crossbar overhang to be equal on both sides. Tighten M6 crossbar bolts to 3-4Nm/ 2-3lb/ft. Tighten M6 security screws to 3-4Nm/ 2-3lb/ft.



- 17** Measure the slot each side of the leg and cut the bar measurement strips to these lengths. Clip each piece into the bottom slots of the roof bar and ensure they are fully inserted.



- 18** Check all fasteners are secure.

