

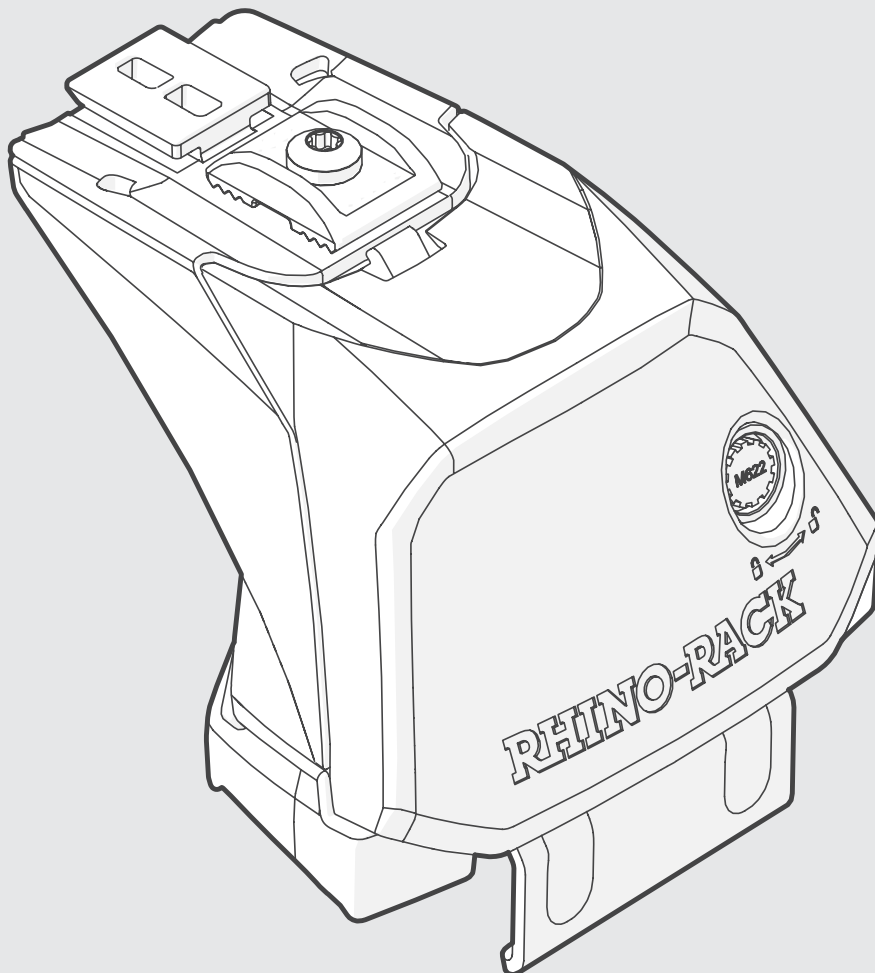
RHINO-RACK®

RX200 Flush Rail Leg + Fit Kit RXLF

Important:

1. Check the Rhino-Rack website to ensure you have the latest issue of these instructions.
2. Please refer to your fitting instruction to ensure that the roof racks are installed in the correct locations.
3. Check the contents of kit before commencing fitment and report any discrepancies.
4. These instructions must be followed for warranty to be upheld.

Fit Time: 15 mins

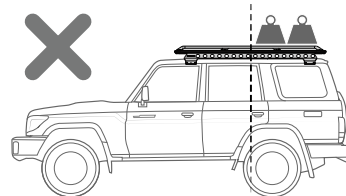
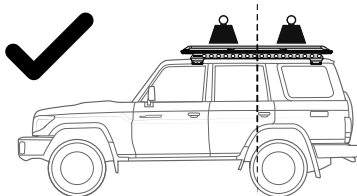
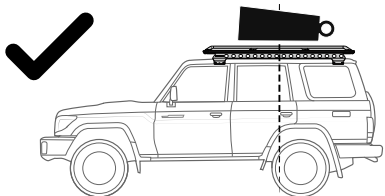
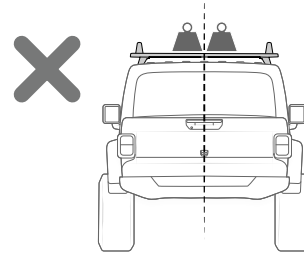
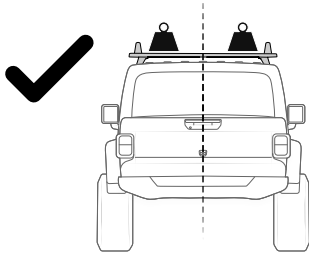
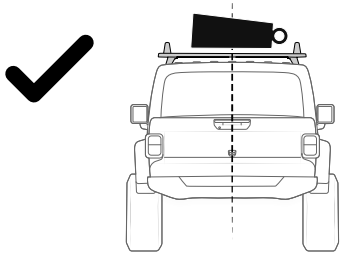


Rhino-Rack AUSTRALIA
22A Hanson Pl,
Eastern Creek, NSW, 2766

Rhino-Rack USA
19822 East 22nd Ave,
Aurora, CO, 80011

RHINORACK.COM

Doc. No: 520-RFI-00172
Issue No: 01
Issue Date: 30/10/2023

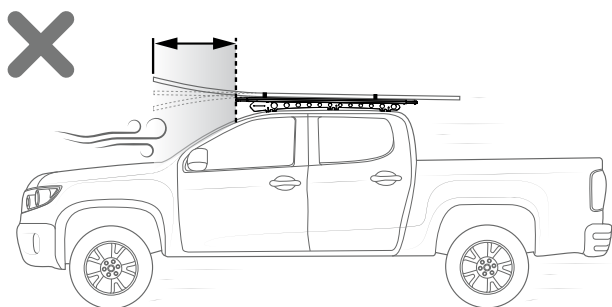
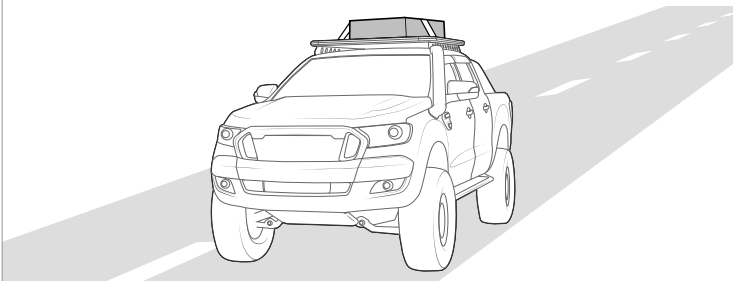


Distribute loads evenly and laterally/longitudinally as low as possible over the span.

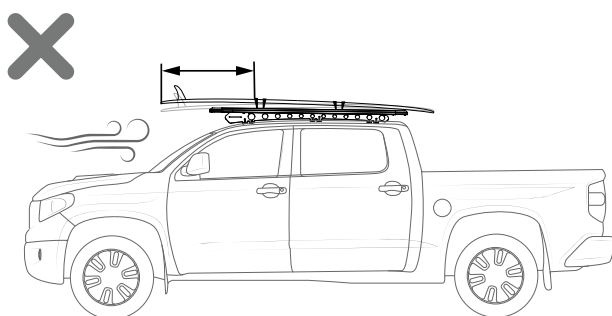
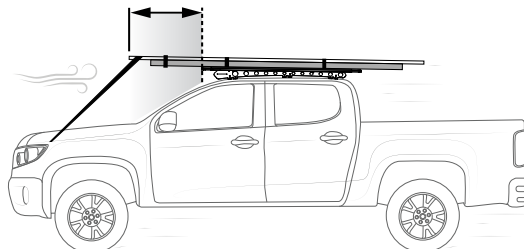
Avoid point loads concentrated at the front or rear.

Exercise extreme care when transporting wind-resistant loads. Special consideration must be taken when cornering and braking.

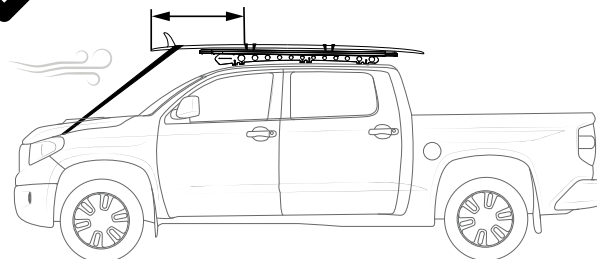
Off-road conditions can be much more rigorous. Extreme care must be taken on any driven path that does not contain a surface protection layer (tar/bitumen).



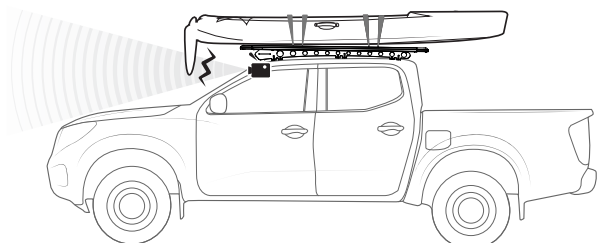
Long flexible loads must attach securely to rigid support and be tied down to the bonnet



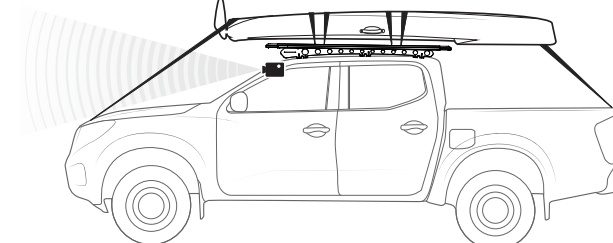
Surfboard Overhang > 600mm / 23 5/8in must be tied to the bonnet



Do NOT obstruct windscreen camera sensors

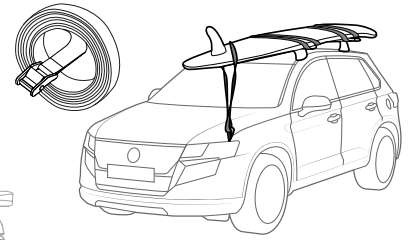
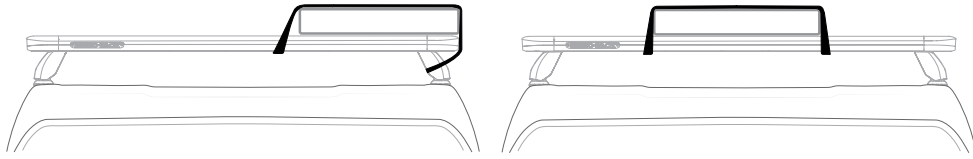


Warranty for roof rack system will be void if the front of the kayak is not secured to the bonnet



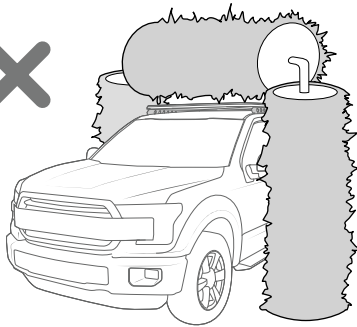
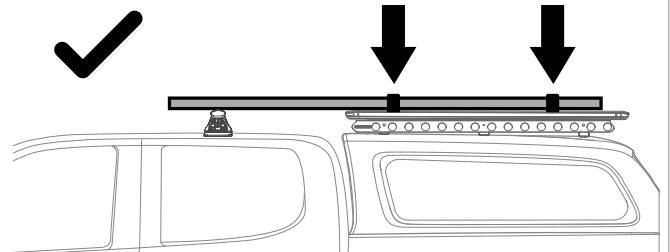
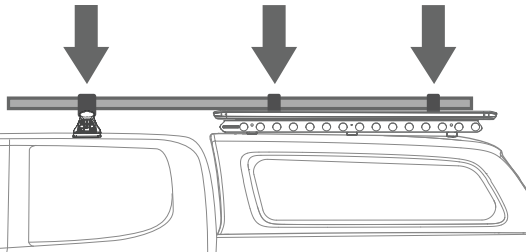


Loads must be tied down to Crossbars, **NOT** around legs



Use only non-stretch fastening ropes or straps to attach cargo to roof racks

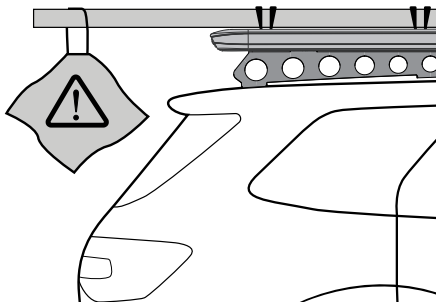
Tub/tray/canopys can move independently from the vehicle cabin. Rigidly fix to either the cabin roof racks **or** the tub/tray/canopy roof racks but not both simultaneously.



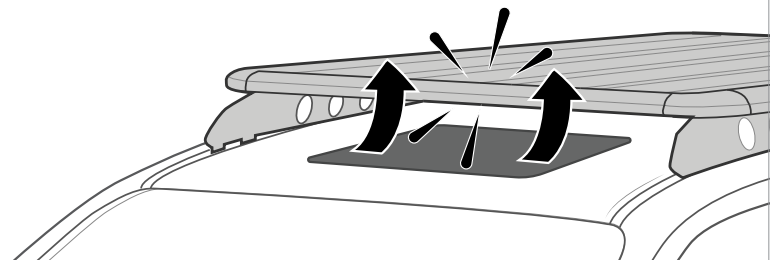
Racks must be removed when vehicle is put through an automatic car wash.



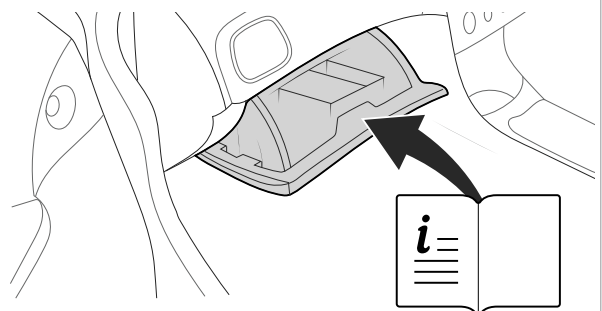
Ensure Ladder is well supported on the ground to support tent. Take extreme caution when climbing heights above 1.2m / 4ft.



Ensure sunroof will not collide with roof rack system.



[Youtube.com/Rhinorackaustralia](https://www.youtube.com/Rhinorackaustralia)



Place these instructions in the glove box once installation is complete

Carrying Capacity

1.

Check your vehicle owners hand book for vehicle maximum carrying capacity and VISIT THE ONLINE CALCULATOR FOR CURRENT SYSTEM LOAD LIMIT DATA.

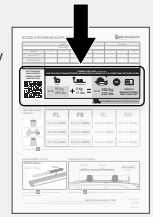


2.

Please ensure you use the vehicle manufacturer's maximum roof allowance **if it is lower than the figure listed in supplement.**



1. Complete **Fit my vehicle** journey
2. Select your **Product Solution**
3. Scroll down to **'Product Details'**
4. Download instructions under the **'INSTRUCTIONS'** tab



Cargo Load Limit

Total permissible weight allowed on top, and attached to roof racks whilst the vehicle is in motion.



System Weight

Total weight of the roof rack system. (Crossbars, Backbone, Platform)



Max System Load Capacity

Please ensure you use the vehicle manufacturer's maximum roof allowance if it is lower than the figure listed in the fitting chart.



Vehicle Manufacturer's Load Limit

Total permissible weight attached to the roof of the car. This is inclusive of the weight of the roof rack system.

In service maintenance checks

- All bolt connections should be checked after driving a short distance when you first install your roof racks.
- All bolted connections should be checked again at regular intervals (weekly is recommended, depending on road conditions, usage, loads and distances travelled).
- All bolted connections should be checked each time they are re-fitted.
- Off-road conditions are more rigorous. Check all bolted connections and your load more regularly.
- Ensure that your vehicle manufacturer's GVM, and gross axle weights are not exceeded (refer to vehicle owner's manual).

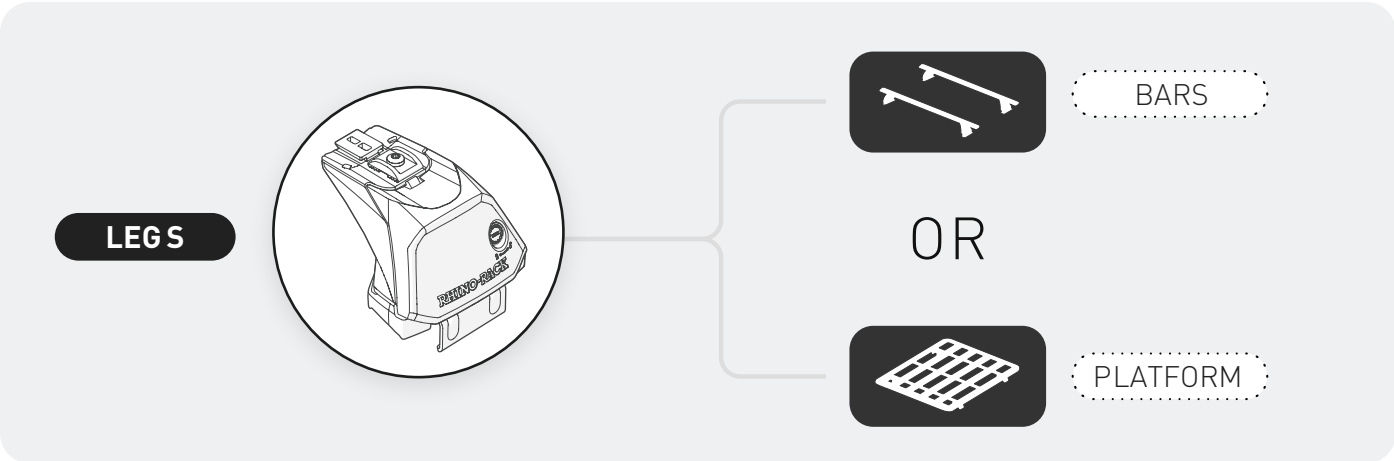
Note for Dealers and Fitters

It is your responsibility to ensure these fitting instructions are given to the end user or client. These instructions remain the property of Rhino-Rack Australia Pty. Ltd. and may not be used or changed for any other purpose than intended.

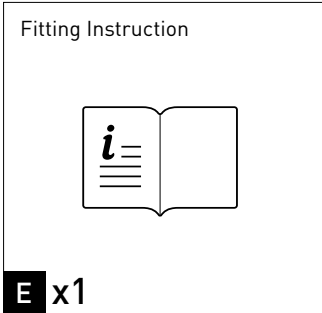
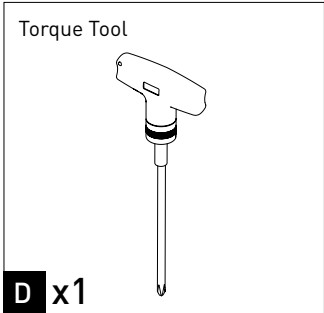
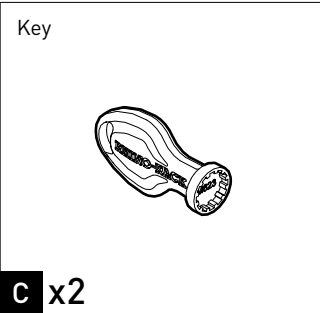
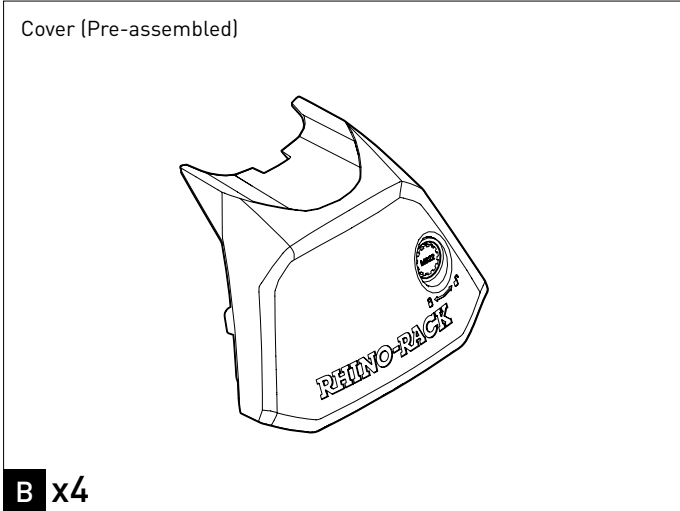
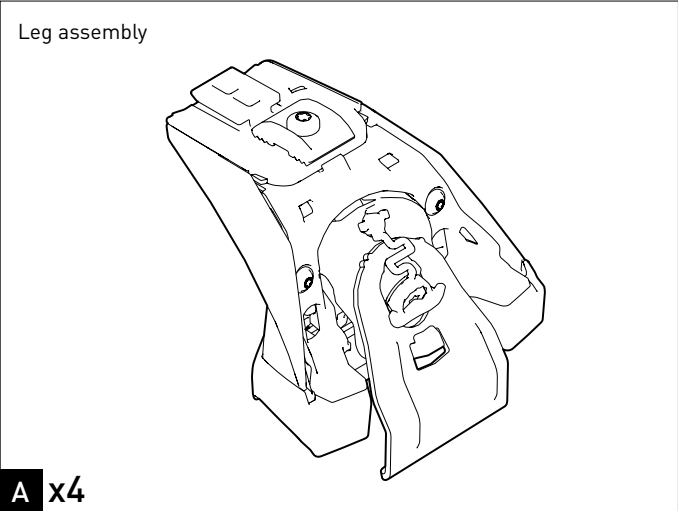
Warranty

We love creating our products for you and hope you love using them too. For complete peace of mind, register your product at www.rhinorack.com/warranty. This way, we can quickly help you with any future warranty claims. And remember – never to forget to **Make Space For Adventure!**

Compatibility

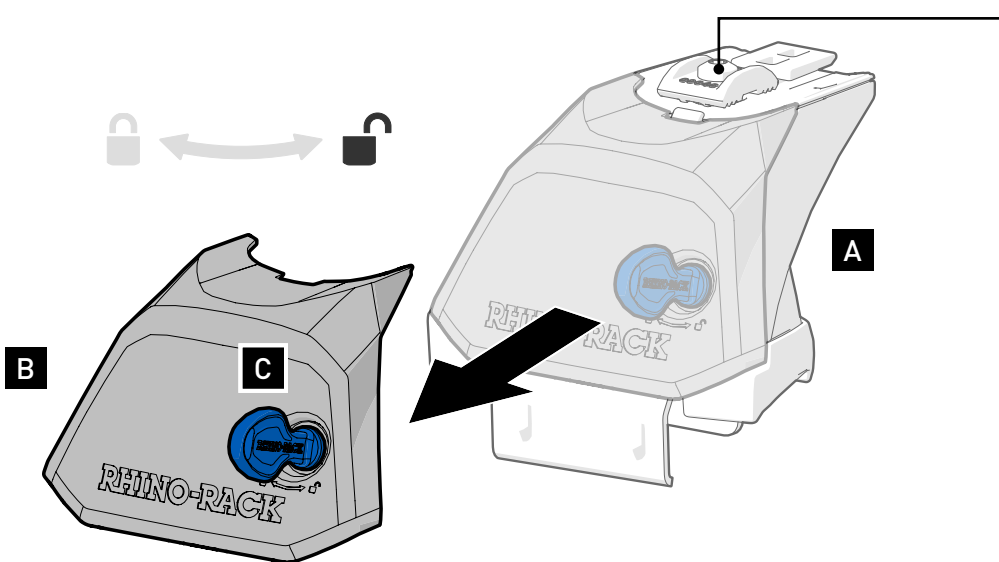


Parts List



TOOLS REQUIRED:
T1 - Tape Measure
T2 - Scissors

1



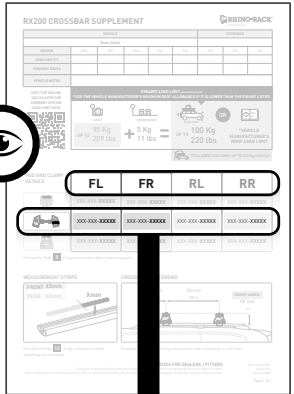
NOTE: Do not unscrew bolt

2

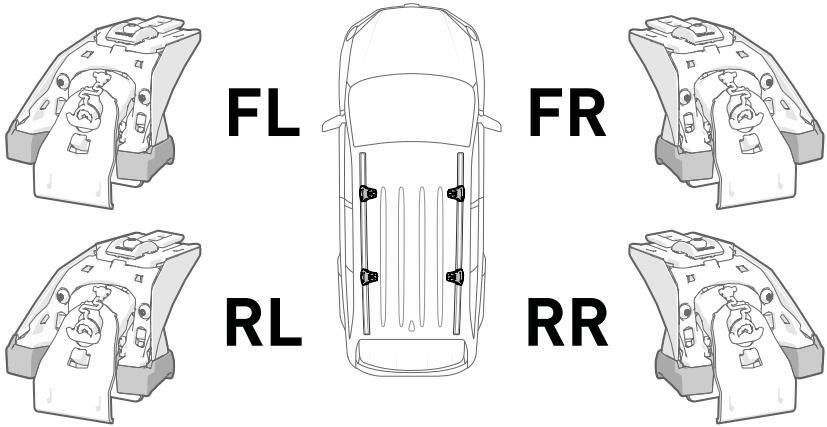
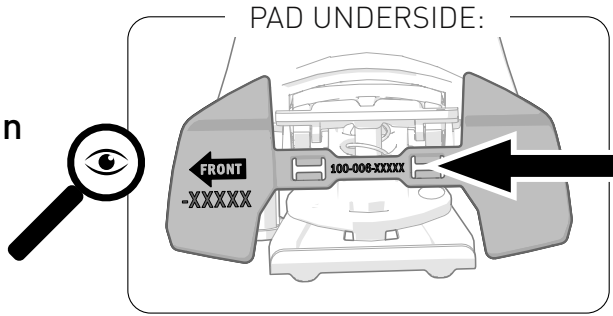
Locate your vehicle-specific RX200 CROSSBAR SUPPLEMENT.

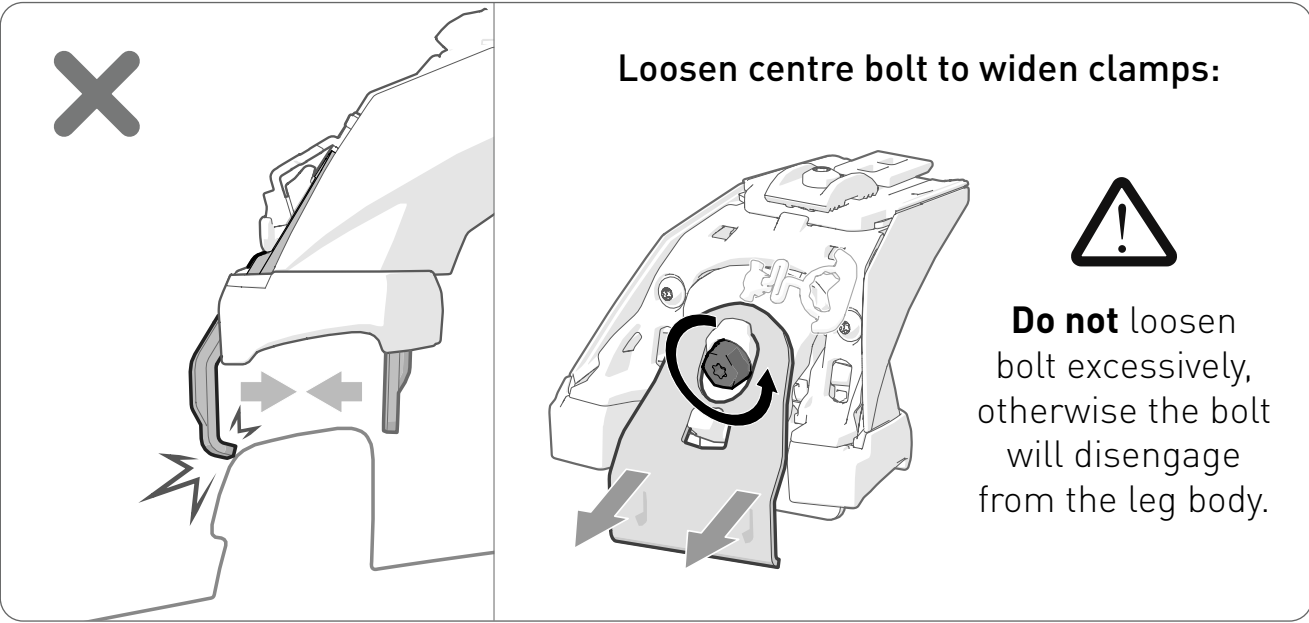
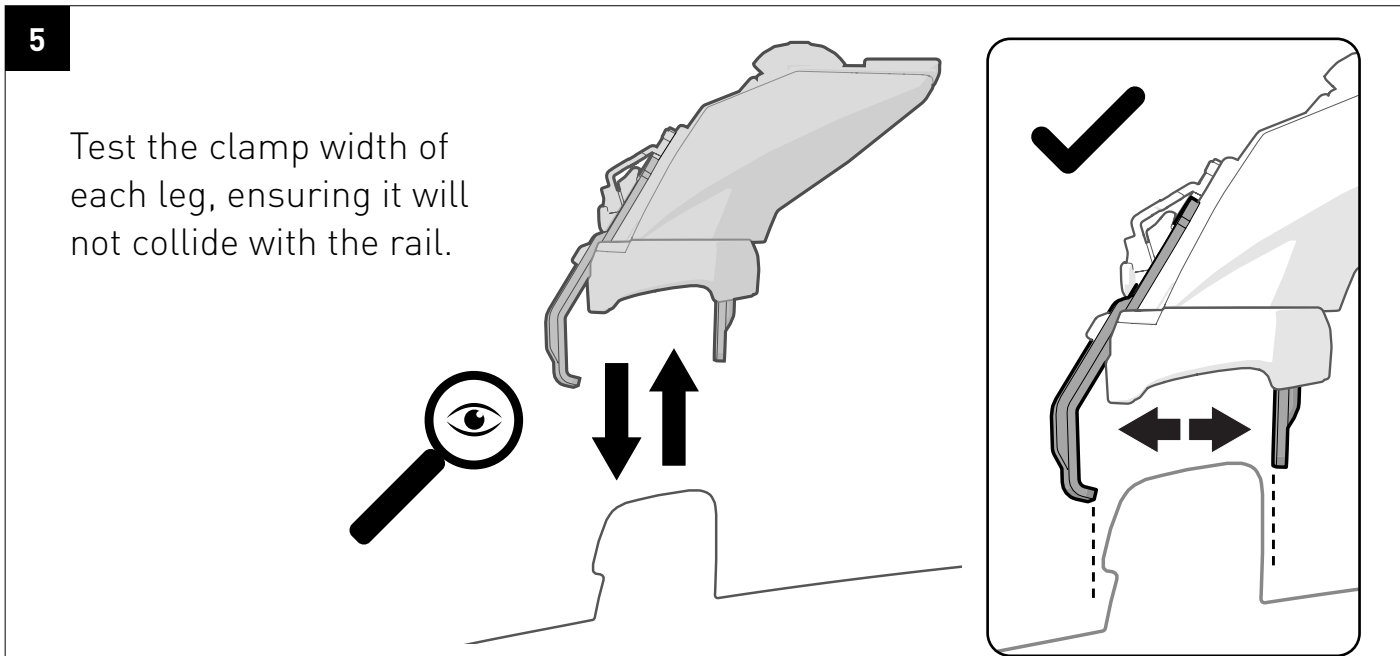
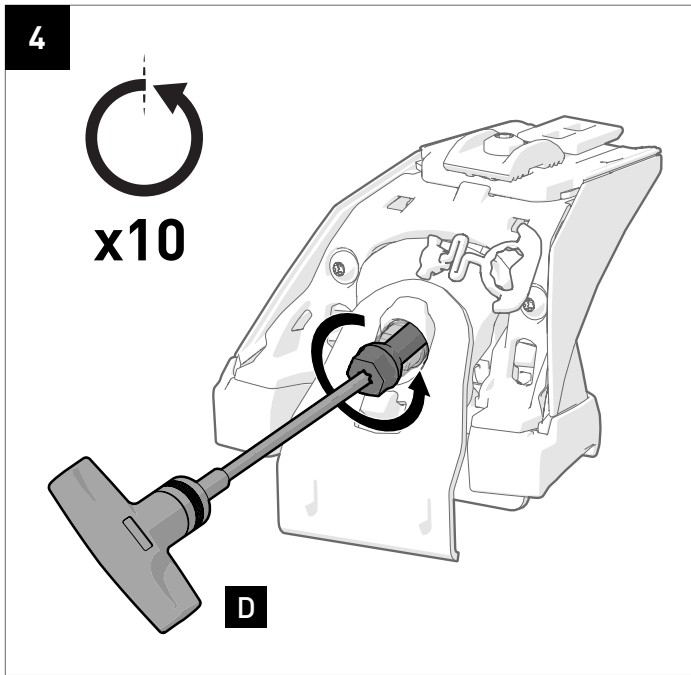
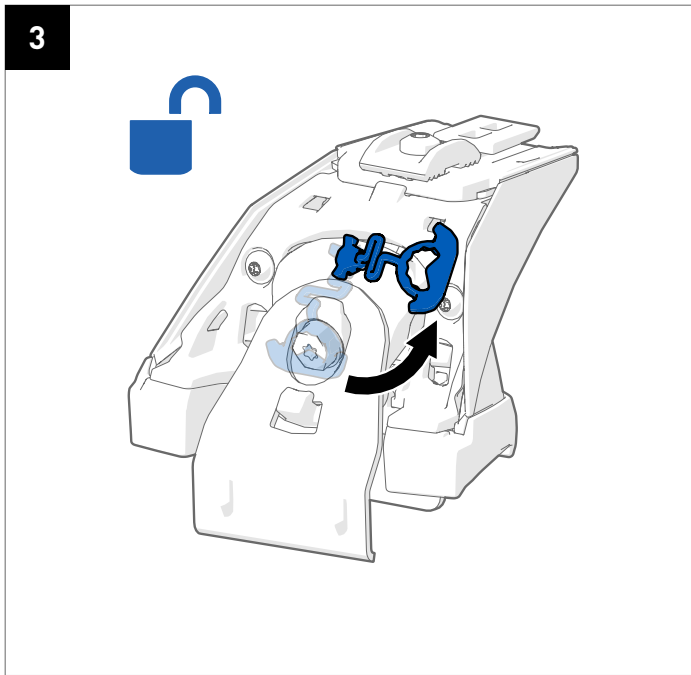


1. Complete **Fit my vehicle** journey
2. Select your **Product Solution**
3. Scroll down to **'Product Details'**
4. Download instructions under the **'INSTRUCTIONS'** tab



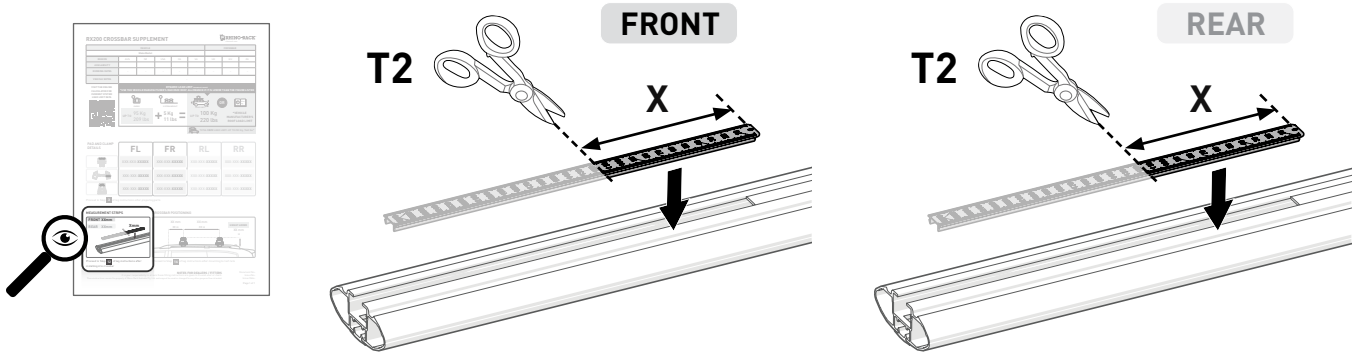
Identify the location of each leg





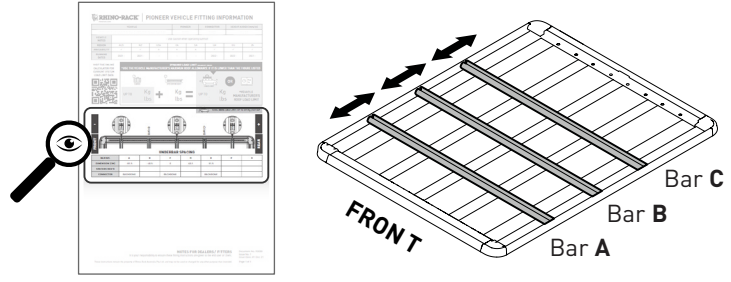
6 FOR VORTEX BARS:

Refer to RX200 CROSSBAR SUPPLEMENT. Once completed, proceed to Step **7**

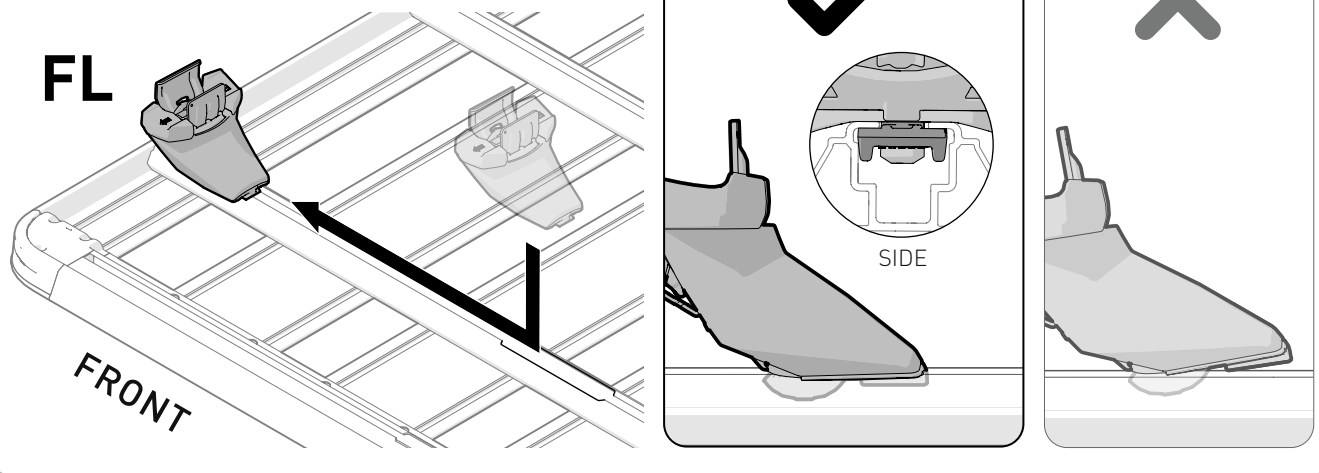


FOR PIONEER PLATFORMS:

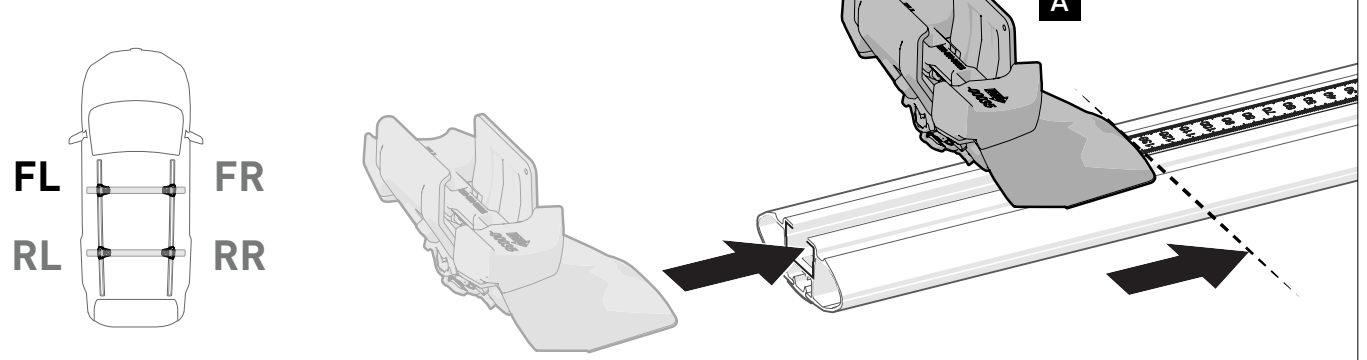
Proceed to PIONEER FITTING CHART to adjust Platform underbars.



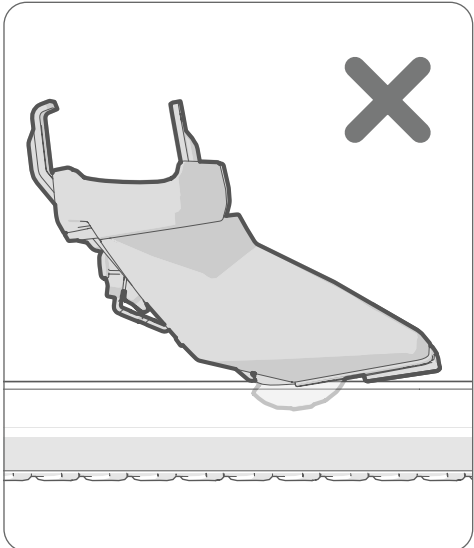
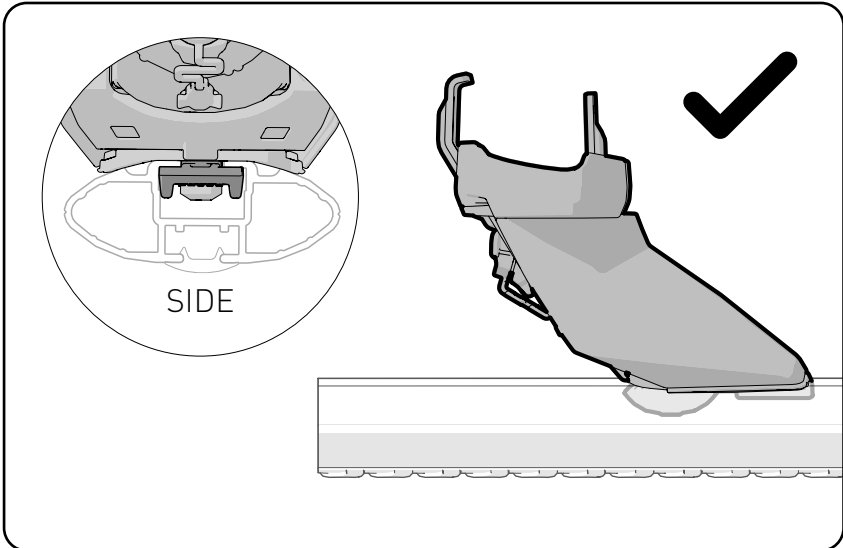
Once underbars are adjusted, insert legs then proceed to Step **10**



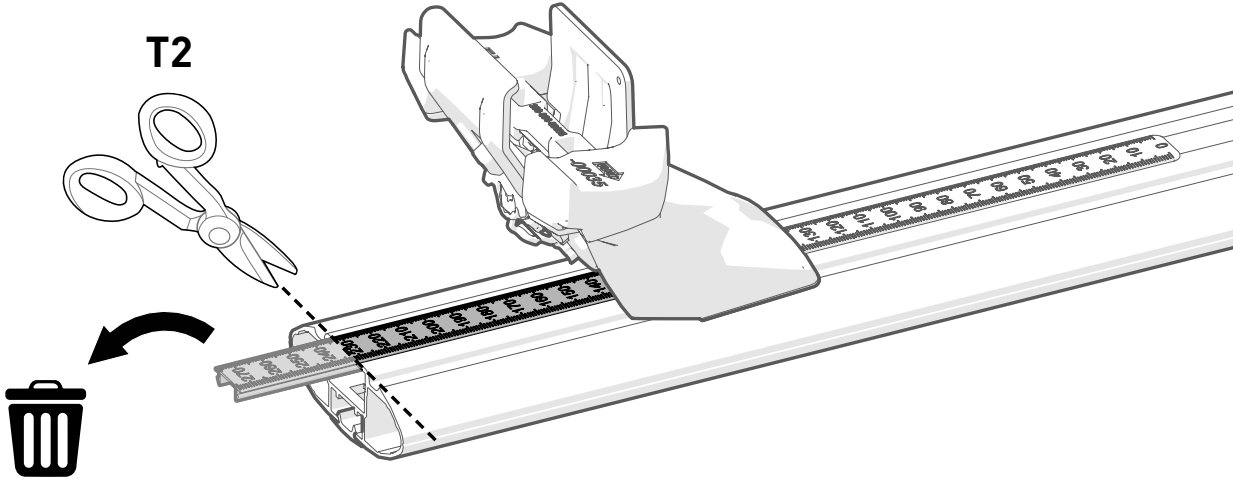
7a Refer to Step **7b** while installing.



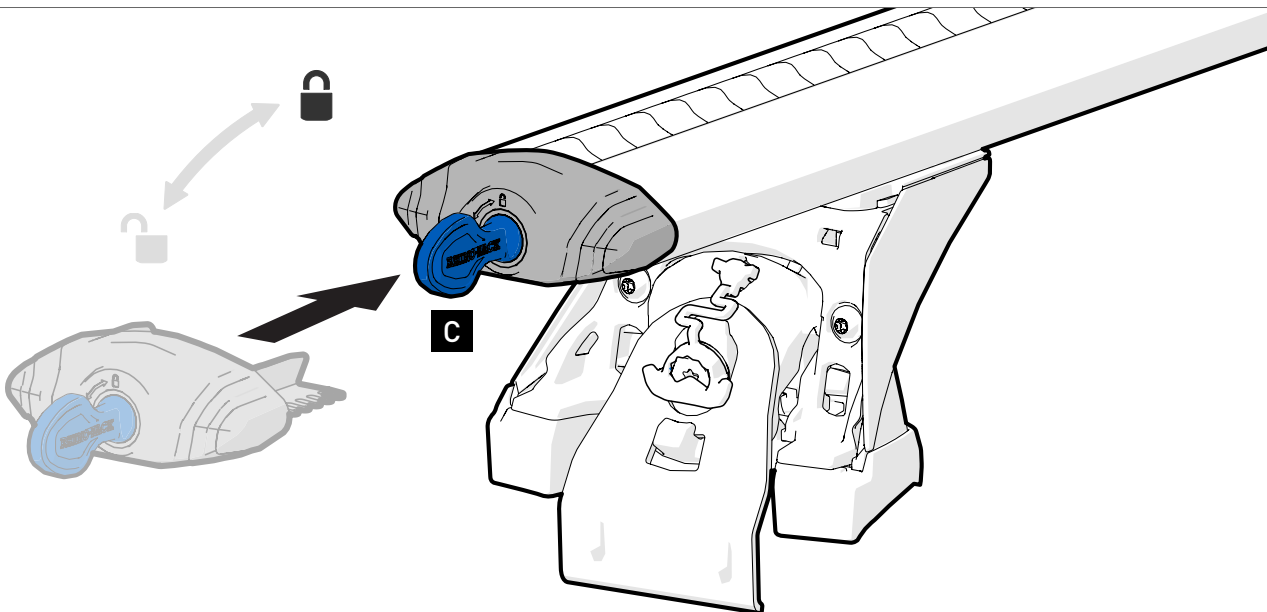
7b



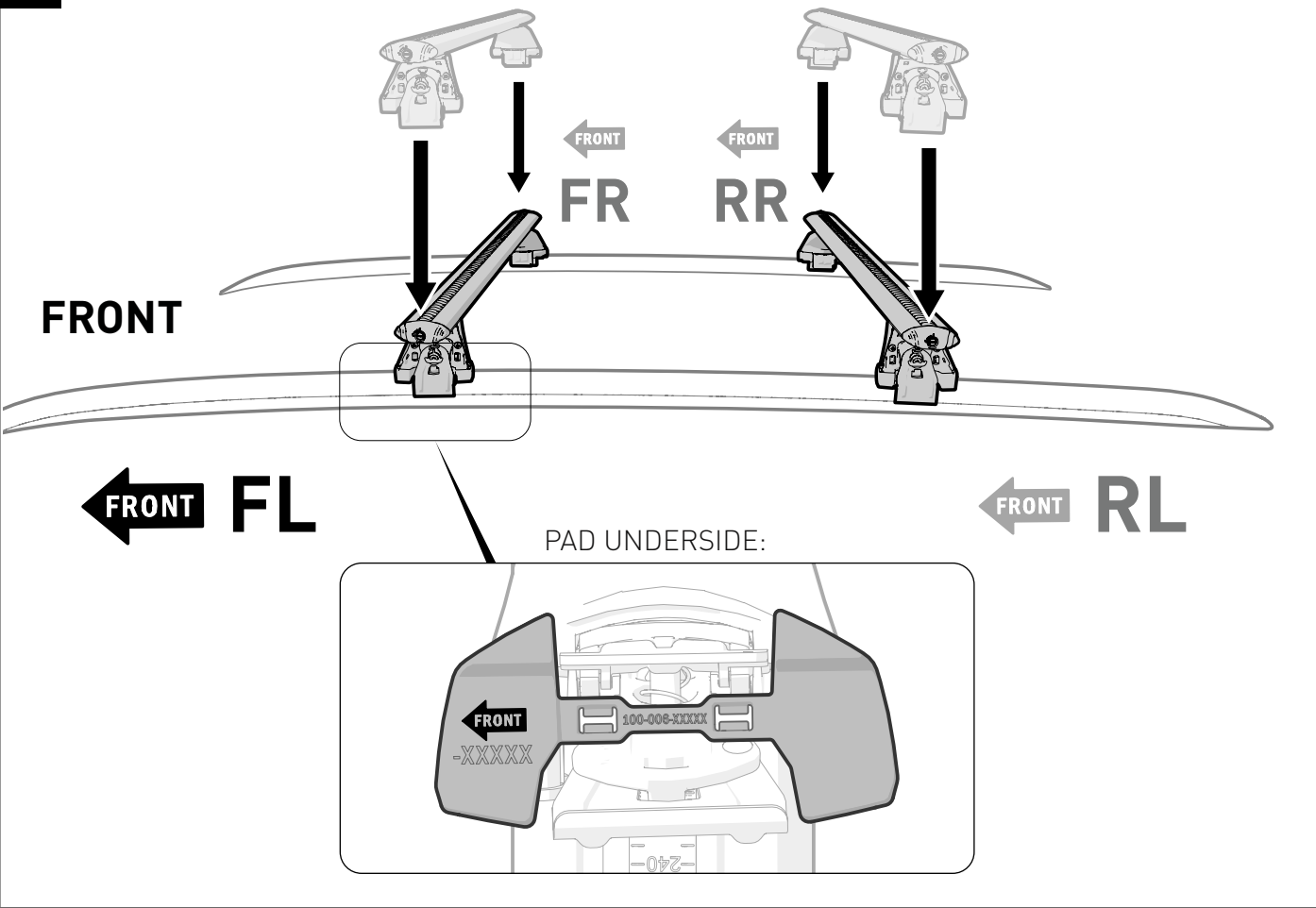
8



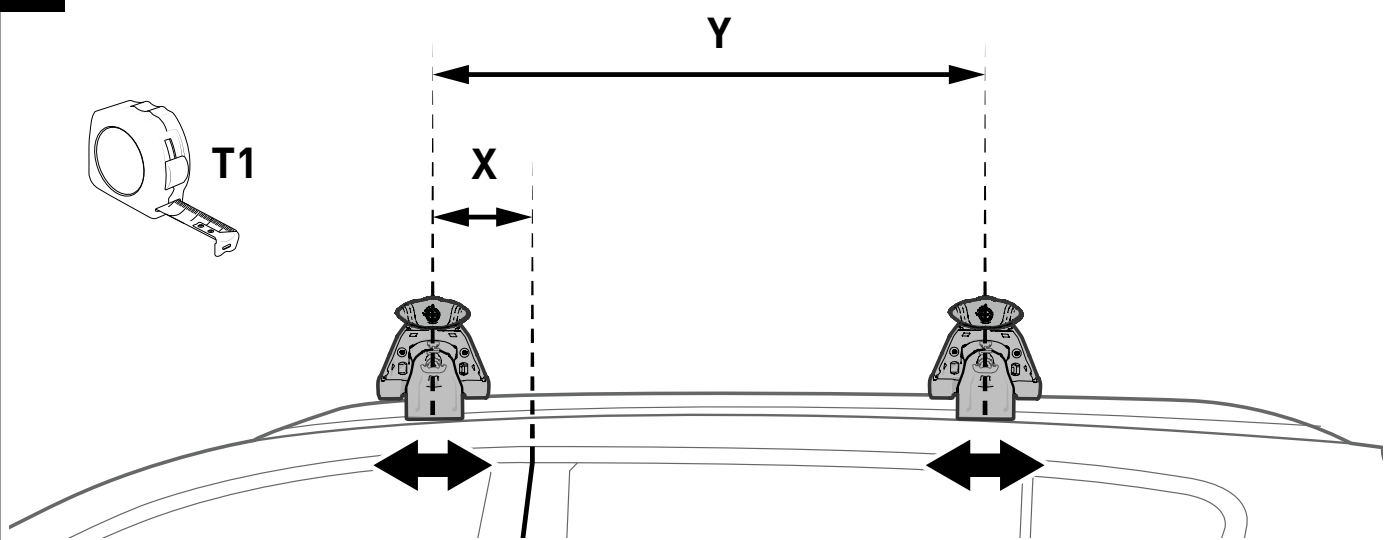
9



10



11



RX200 CROSSBAR SUPPLEMENT

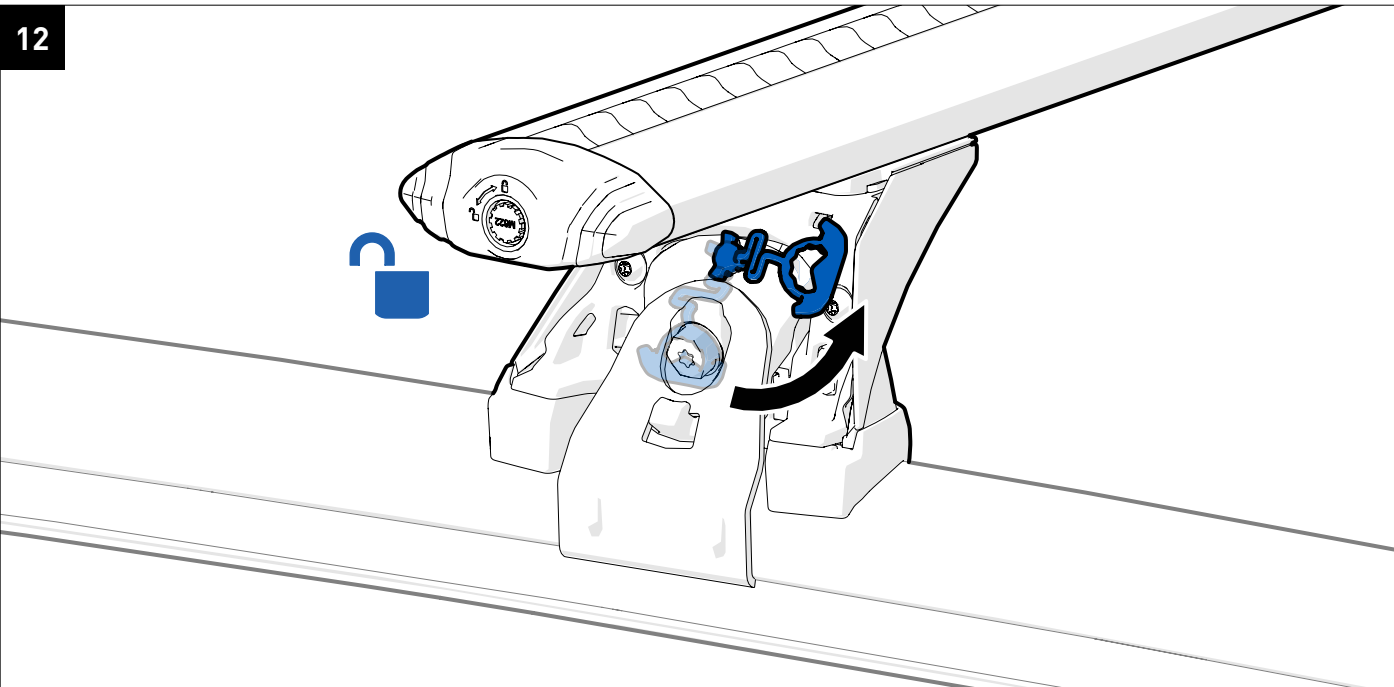
Part No.	Part Name	Part No.	Part Name
100-000-XXXXX	FRONT CLAMP	100-000-XXXXX	FRONT CLAMP
100-000-XXXXX	FRONT CLAMP	100-000-XXXXX	FRONT CLAMP
100-000-XXXXX	FRONT CLAMP	100-000-XXXXX	FRONT CLAMP
100-000-XXXXX	FRONT CLAMP	100-000-XXXXX	FRONT CLAMP

CROSSBAR POSITIONING

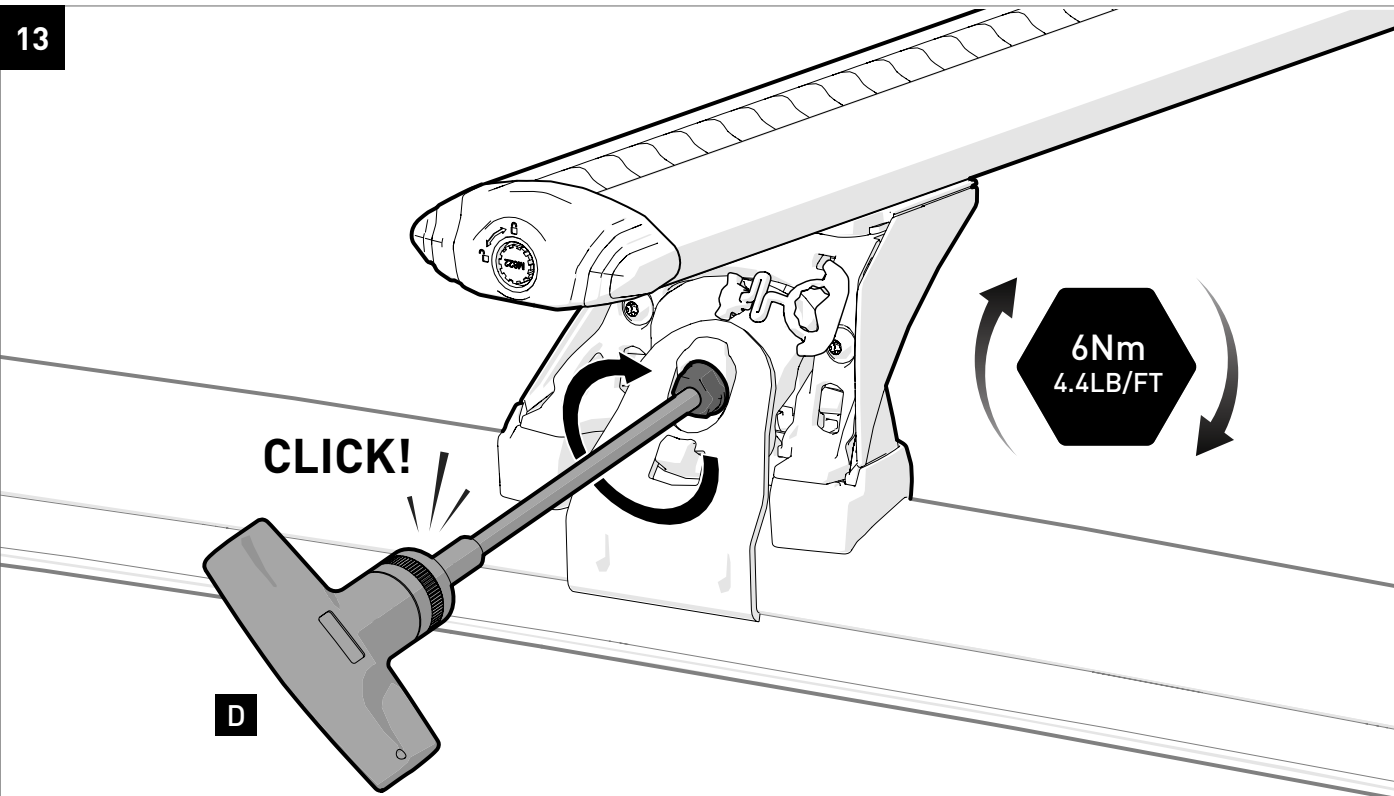
NOTE

For rails with existing holes, ensure inner clamp pin aligns.

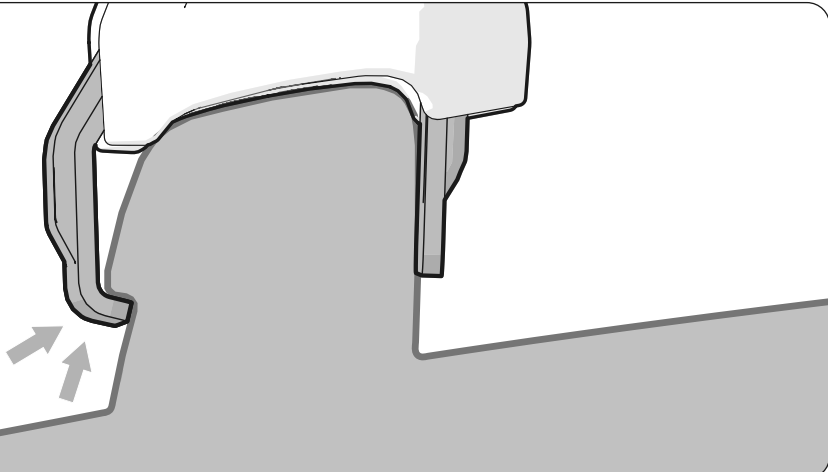
12



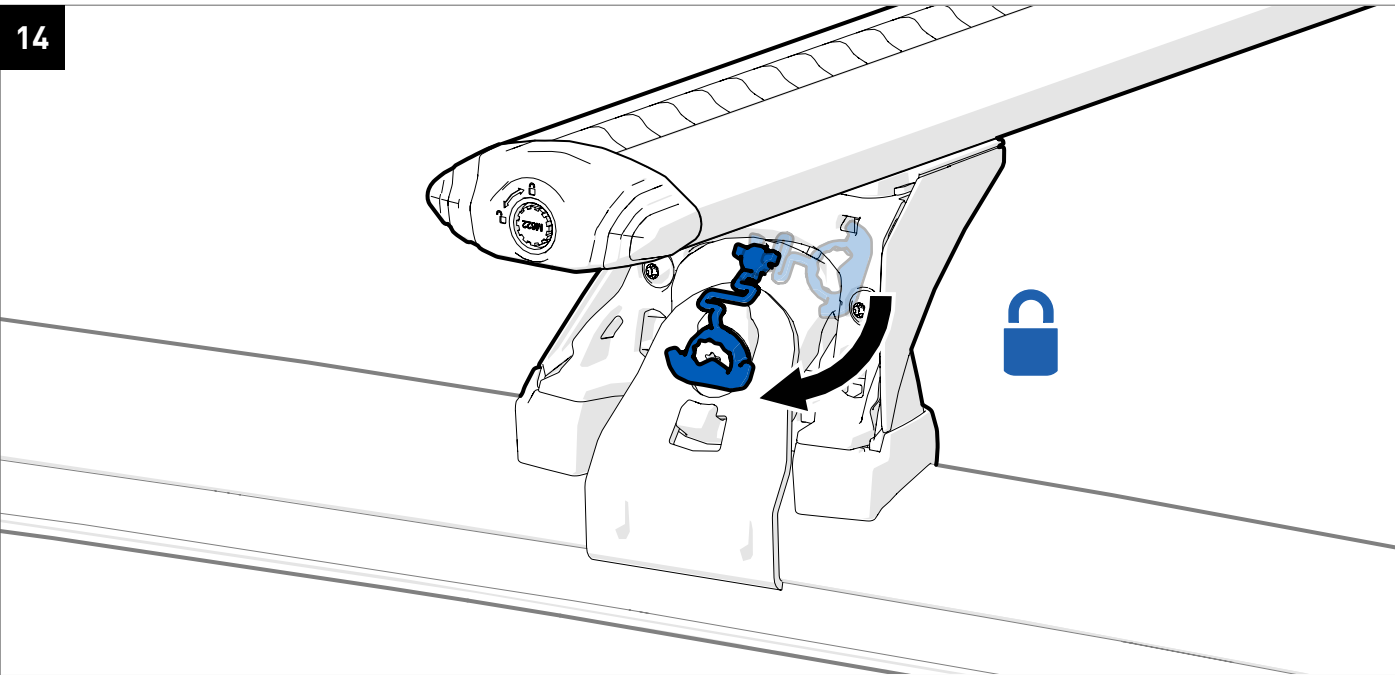
13



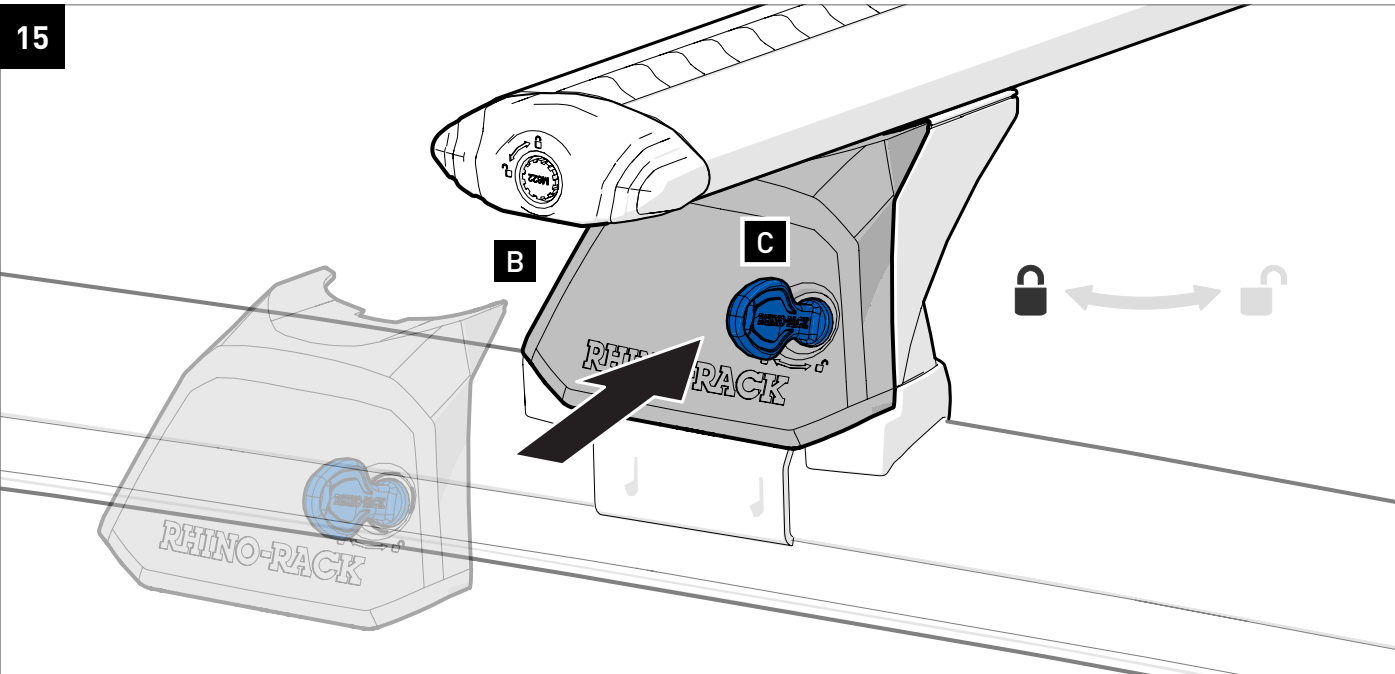
Ensure snug fit.
Adjust if required.



14



15



16

Check fitment is secure before use.

