



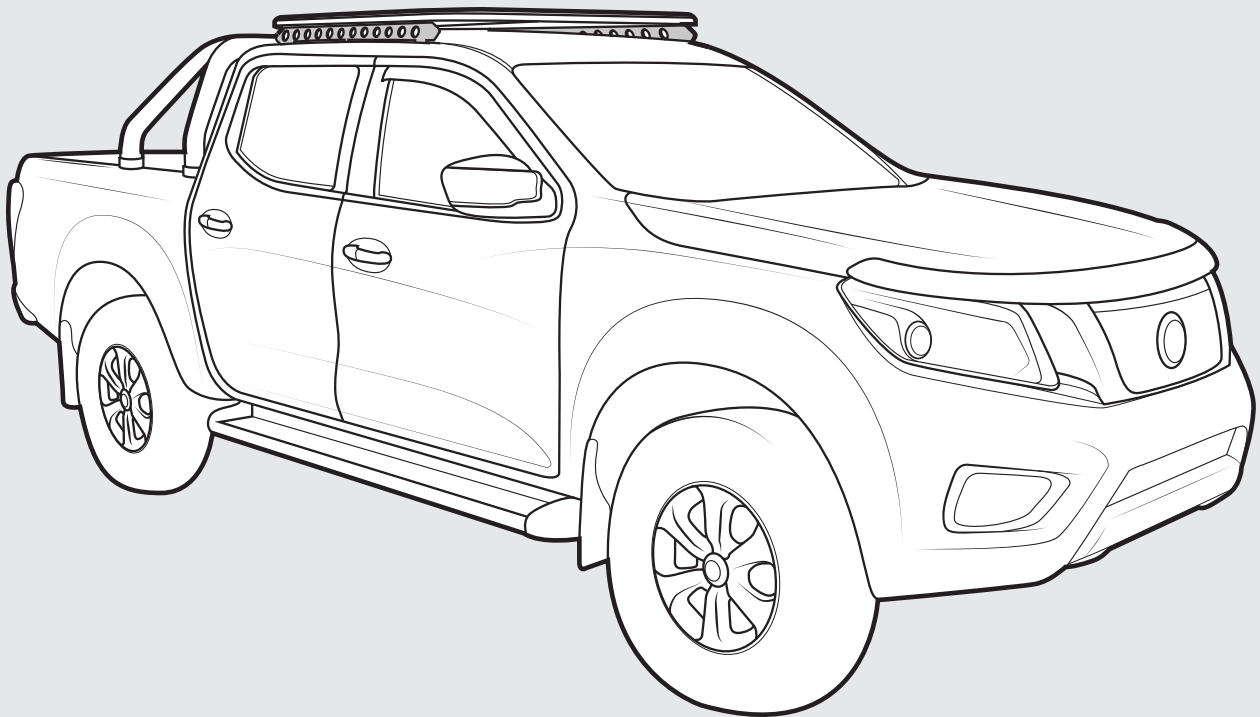
# RHINO-RACK®

## NISSAN Navara NP300 BACKBONE - RNNB2

**Important:**

1. Check the Rhino-Rack website to ensure you have the latest issue of these instructions.
2. Please refer to your fitting instruction to ensure that the roof racks are installed in the correct locations.
3. Check the contents of kit before commencing fitment and report any discrepancies.
4. Place these instructions in the vehicle's glove box after installation is complete.
5. These instructions must be followed for warranty to be upheld.

**Fit Time:** 1 hour



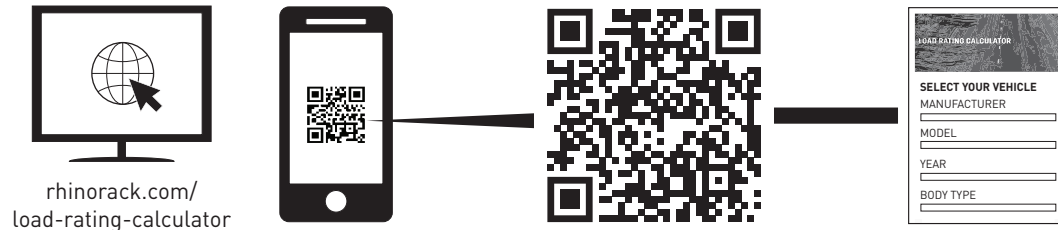
# RNNB2 Backbone Instructions

---

## Carrying Capacity

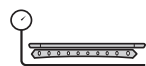
---

Check the website and the vehicle owners hand book for your vehicle manufacturer's maximum carrying capacity. Load must be evenly distributed over the system.



### Cargo Load Limit

Total permissible weight allowed on top, and attached to roof racks whilst the vehicle is in motion.



### System Weight

Total weight of the roof rack system. (Crossbars, Backbone, Platform)



### Max System Load Capacity

Please ensure you use the vehicle manufacturer's maximum roof allowance if it is lower than the figure listed in the fitting chart.



### Vehicle Manufacturer's Load Limit

Total permissible weight attached to the roof of the car. This is inclusive of the weight of the roof rack system.

## Warning

---

- Check part number or kit is correct for use with your vehicle.
- Do not attempt to fit the rack system to your vehicle unless you fully understand these fitting instructions. Please direct any questions regarding fitting to the dealer from where the roof racks were purchased.
- Off-road conditions can be much more rigorous. Extreme care must be taken on any driven path that does not contain a surface protection layer (tar/bitumen).
- Roof racks must be removed when vehicle is put through an automatic car wash.
- With utility vehicles, the cabin and the canopy move independently. Roof racks and vehicle can be damaged if the item transported is rigidly fixed at points on both the cabin and canopy. Instead, rigidly fix to either the cabin roof racks or the canopy roof racks.
- Always ensure you fasten your load securely.
- Use only non-stretch fastening ropes or straps to attach cargo to your load.

## In service maintenance checks

---

- All bolt connections should be checked after driving a short distance when you first install your roof racks.
- All bolted connections should be checked again at regular intervals (weekly is recommended, depending on road conditions, usage, loads and distances travelled).
- All bolted connections should be checked each time they are re-fitted.
- Off-road conditions are more rigorous. Check all bolted connections and your load more regularly.
- Ensure that your vehicle manufacturer's GVM, and gross axle weights are not exceeded (refer to vehicle owner's manual).

### Torque Settings

Unless stated otherwise in these instructions, all fasteners should be set to the following torque settings:

M6: 4-5Nm (3-4lbs/ft),

M8: 8-10Nm (6-7.5lbs/ft)

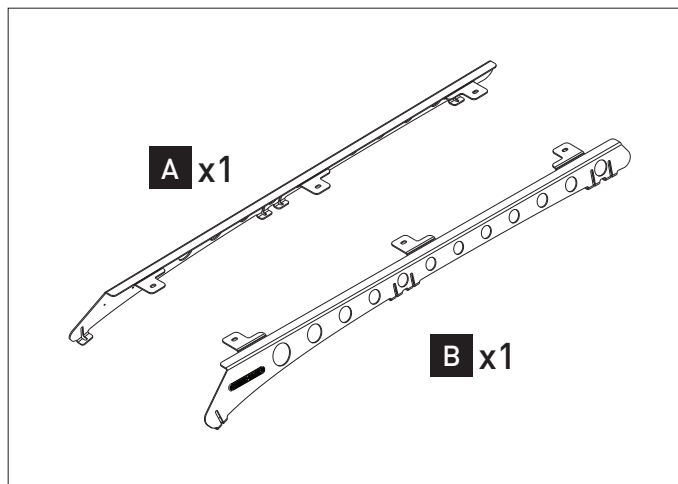
M10: 16-18Nm (12-13lbs/ft).

## Note for Dealers and Fitters

---

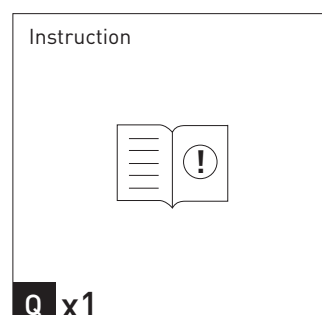
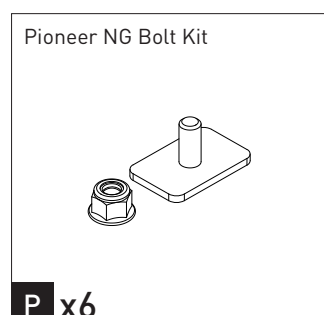
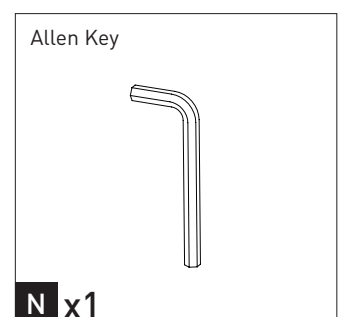
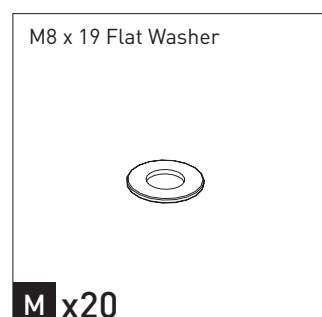
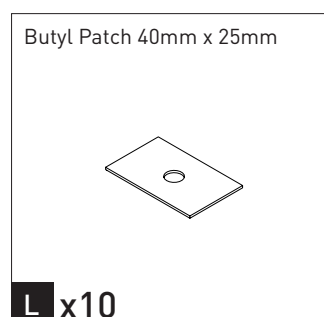
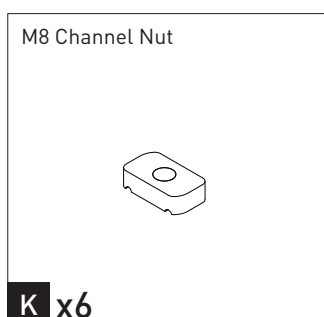
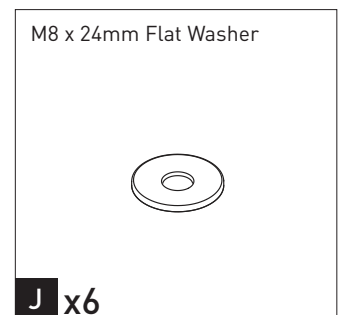
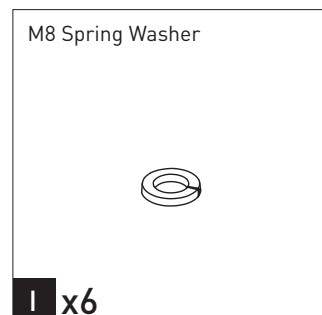
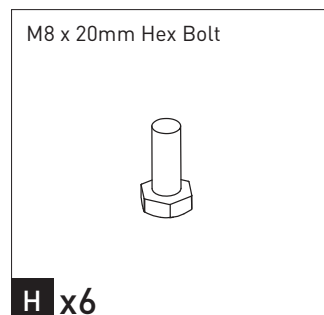
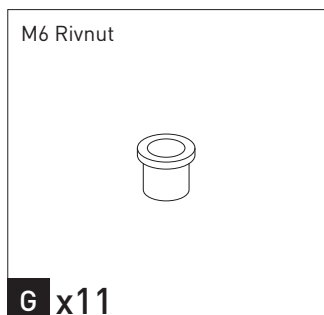
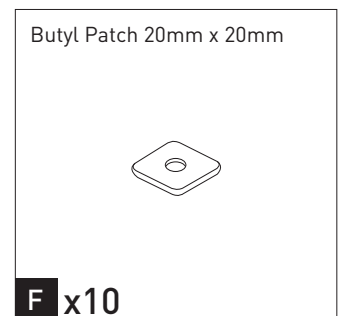
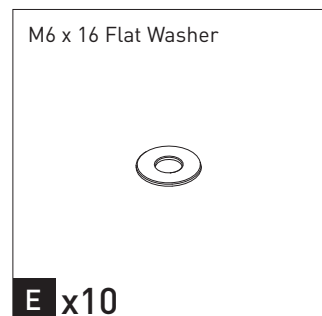
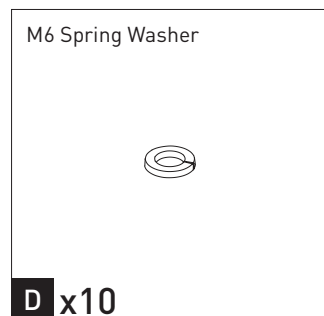
It is your responsibility to ensure these fitting instructions are given to the end user or client. These instructions remain the property of Rhino-Rack Australia Pty. Ltd. and may not be used or changed for any other purpose than intended.

## Parts List

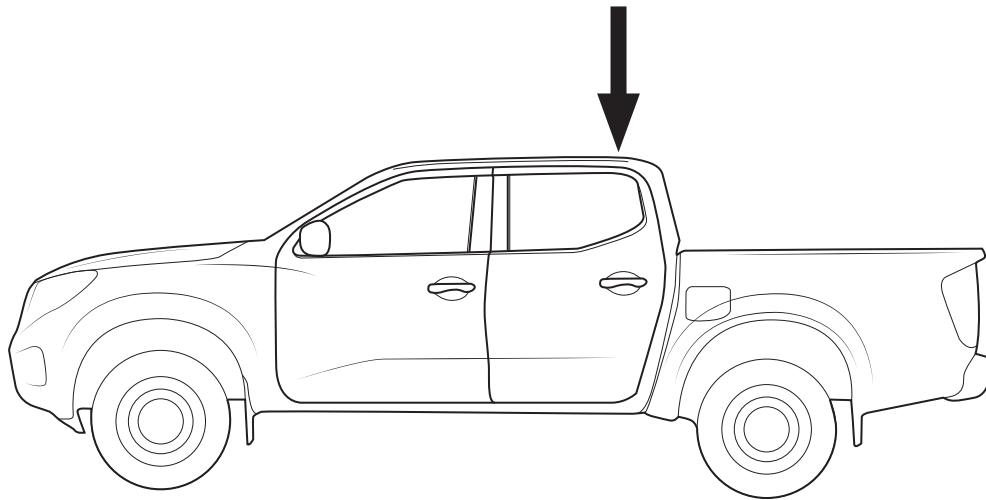


### Tools Required:

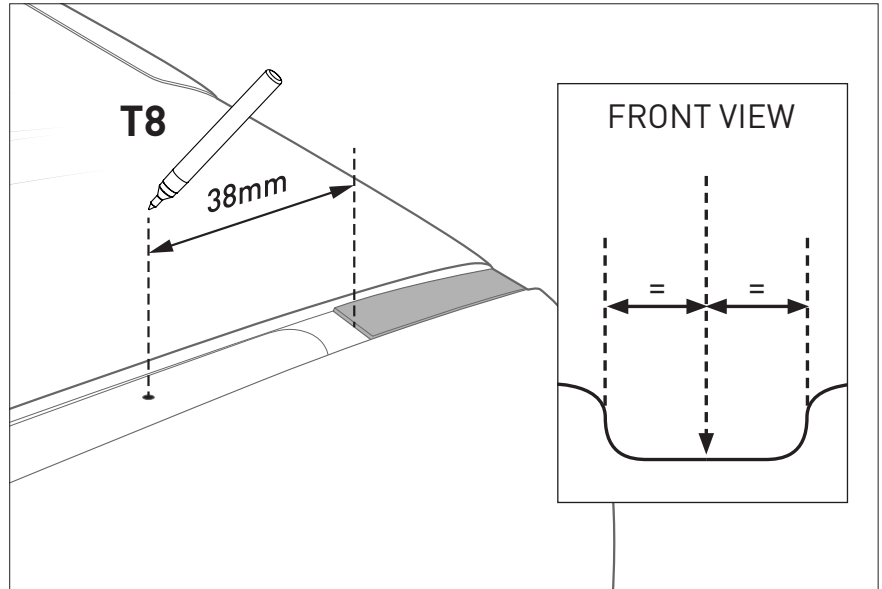
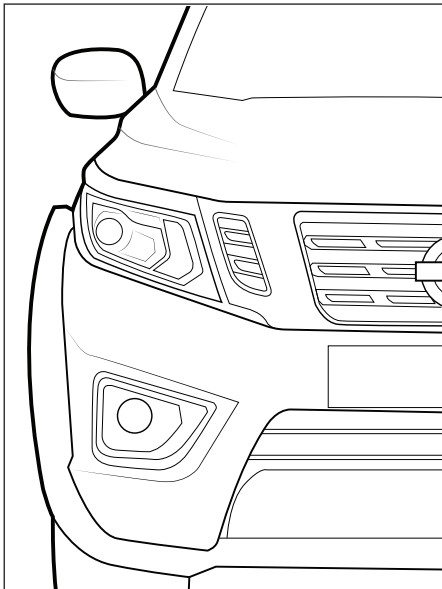
- T1 - Power Drill
- T2 - Punch
- T3 - Mallet
- T5 - 5mm Drill bit
- T6 - 9mm Drill bit
- T7 - Drill Stop
- T8 - Marker
- T9 - Rivnut Gun
- T10 - Vacuum
- T11 - Cold Galvanising Paint and Cotton Buds
- T12 - 13mm Socket Wrench/ Spanner
- T13 - 15-20mm Pin Punch and Hammer



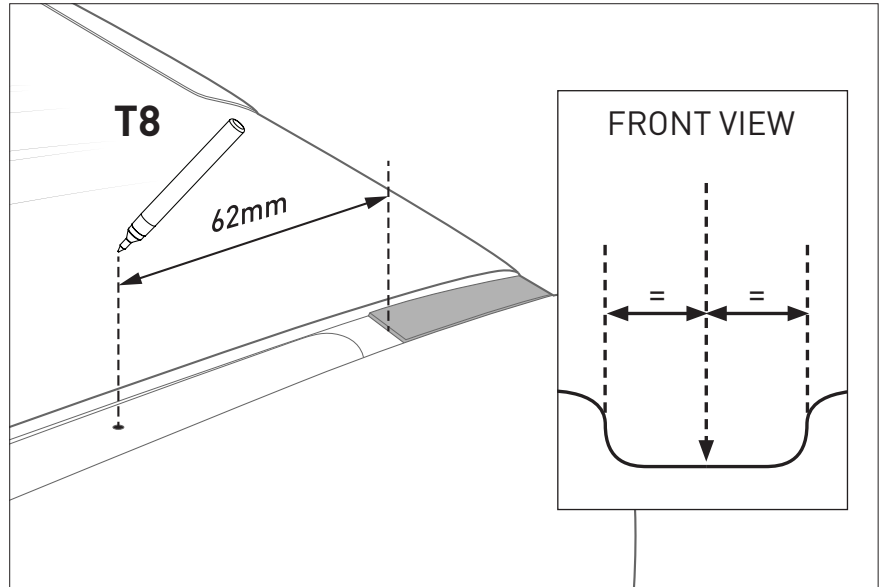
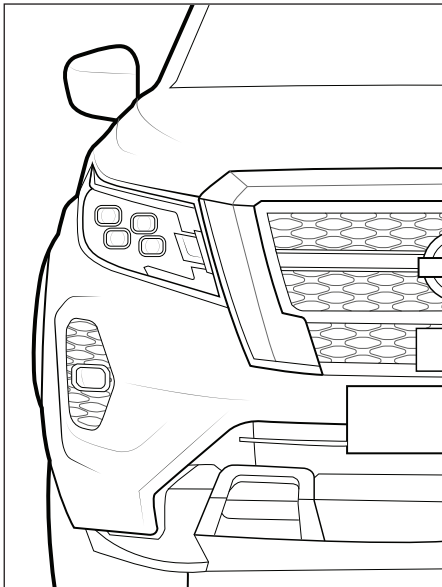
1

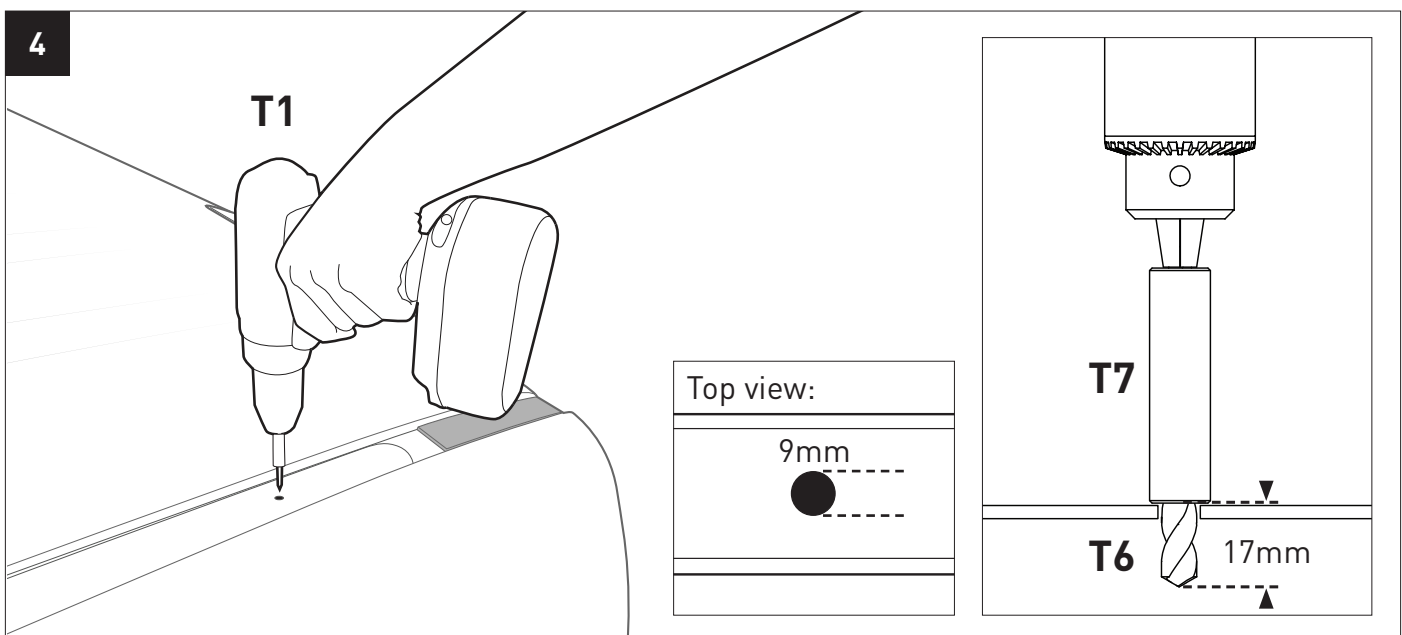
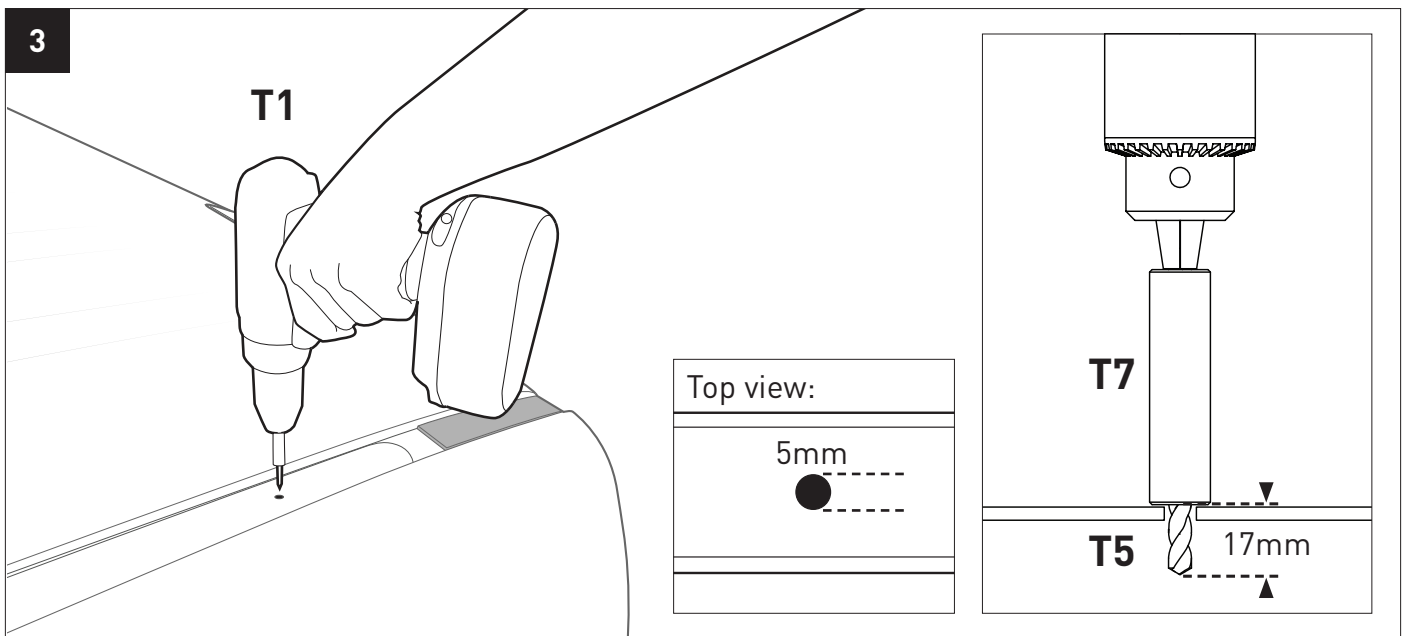
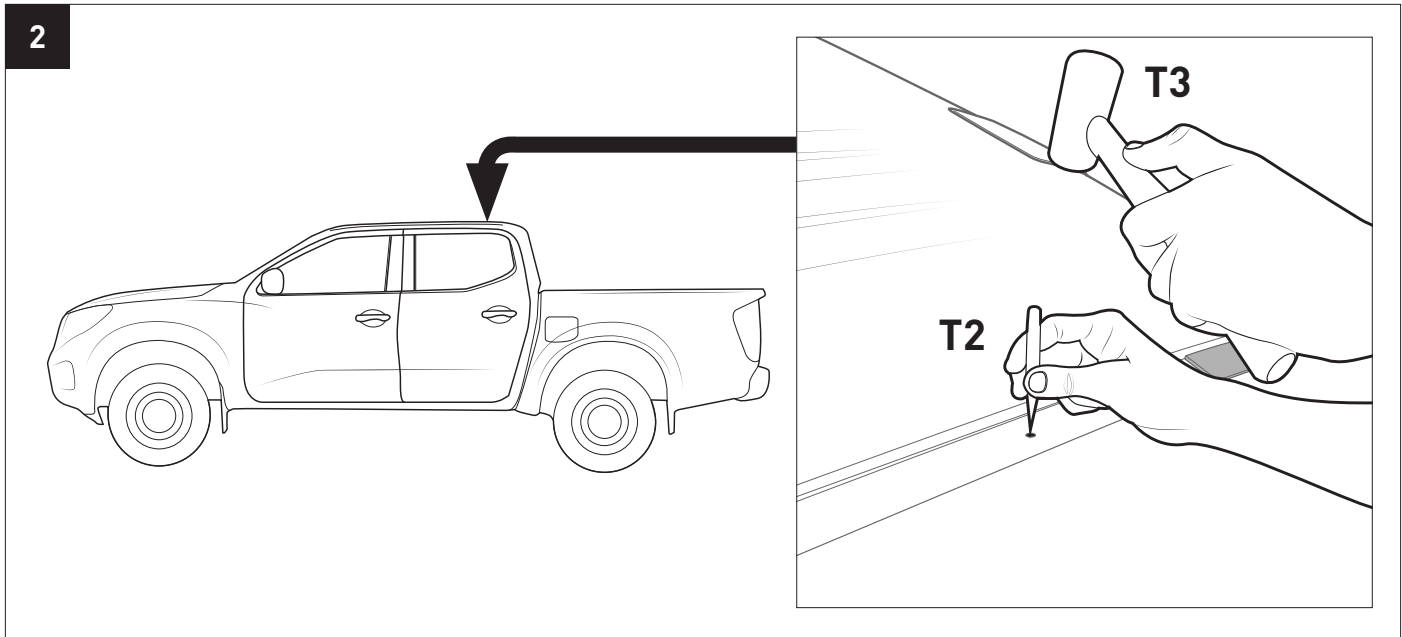


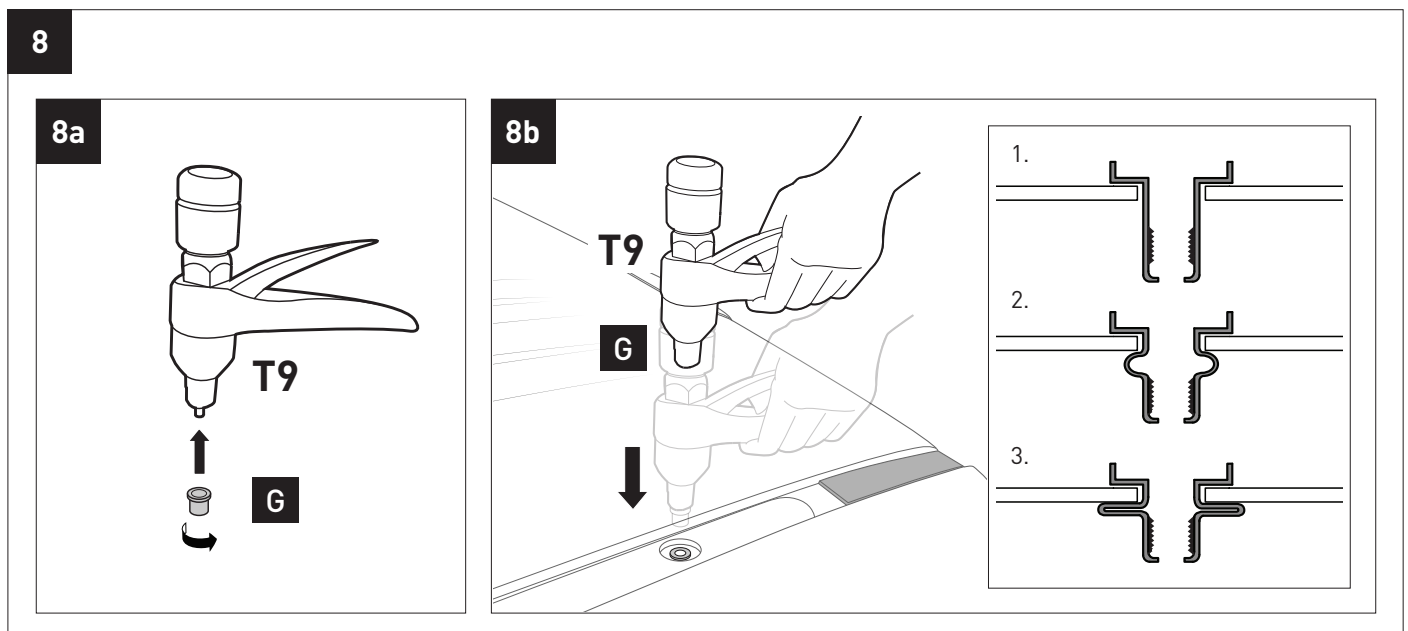
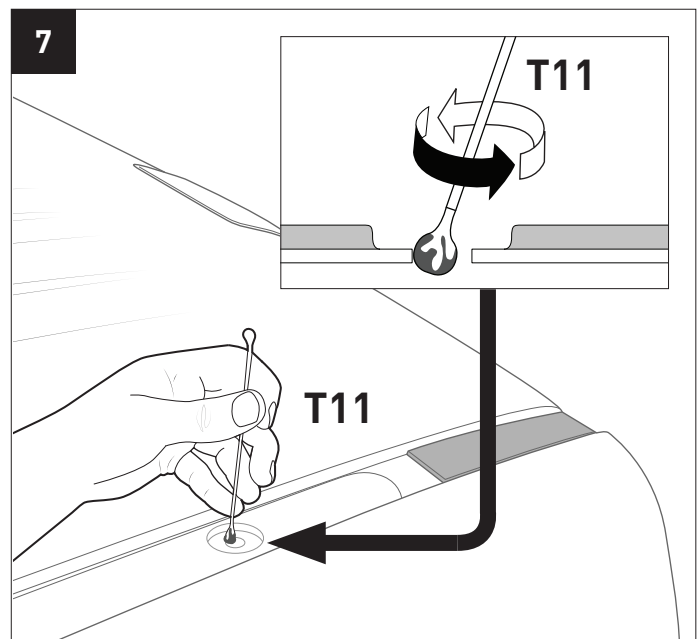
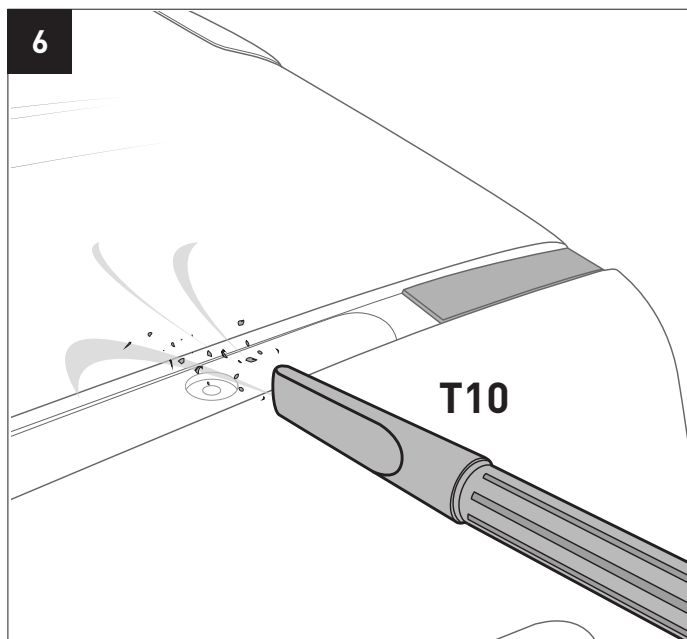
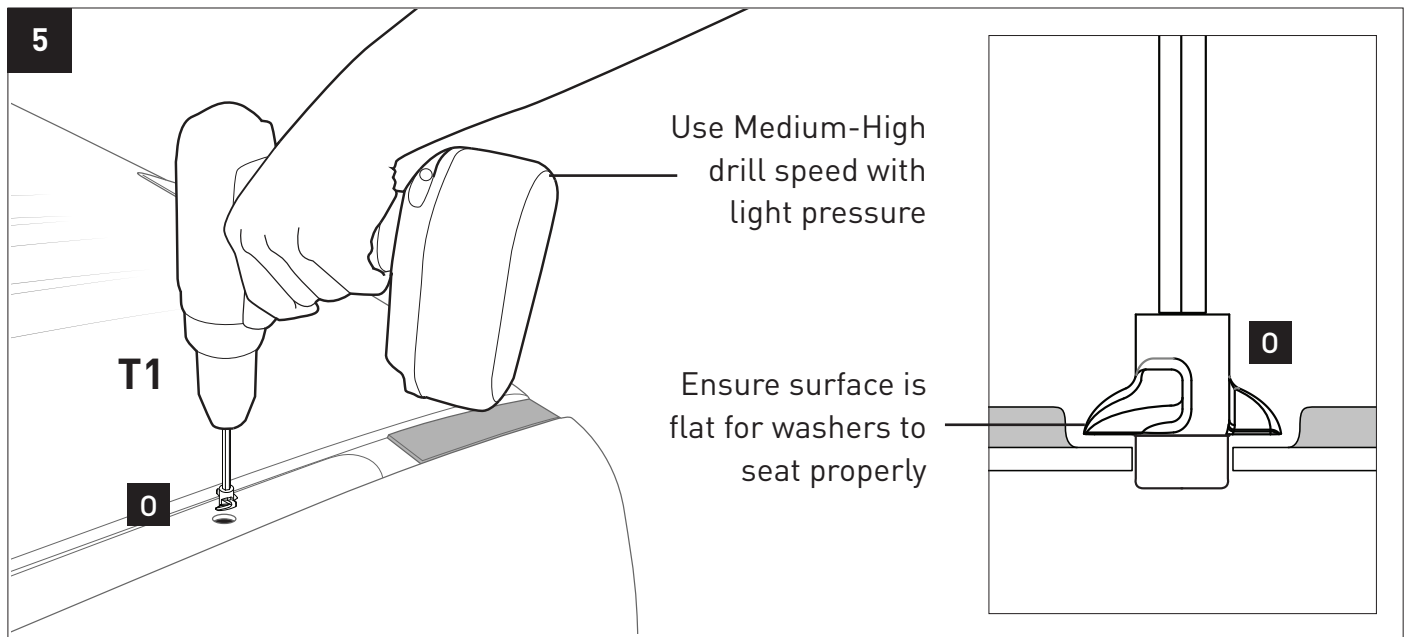
**FOR PRE-FACELIFT:**

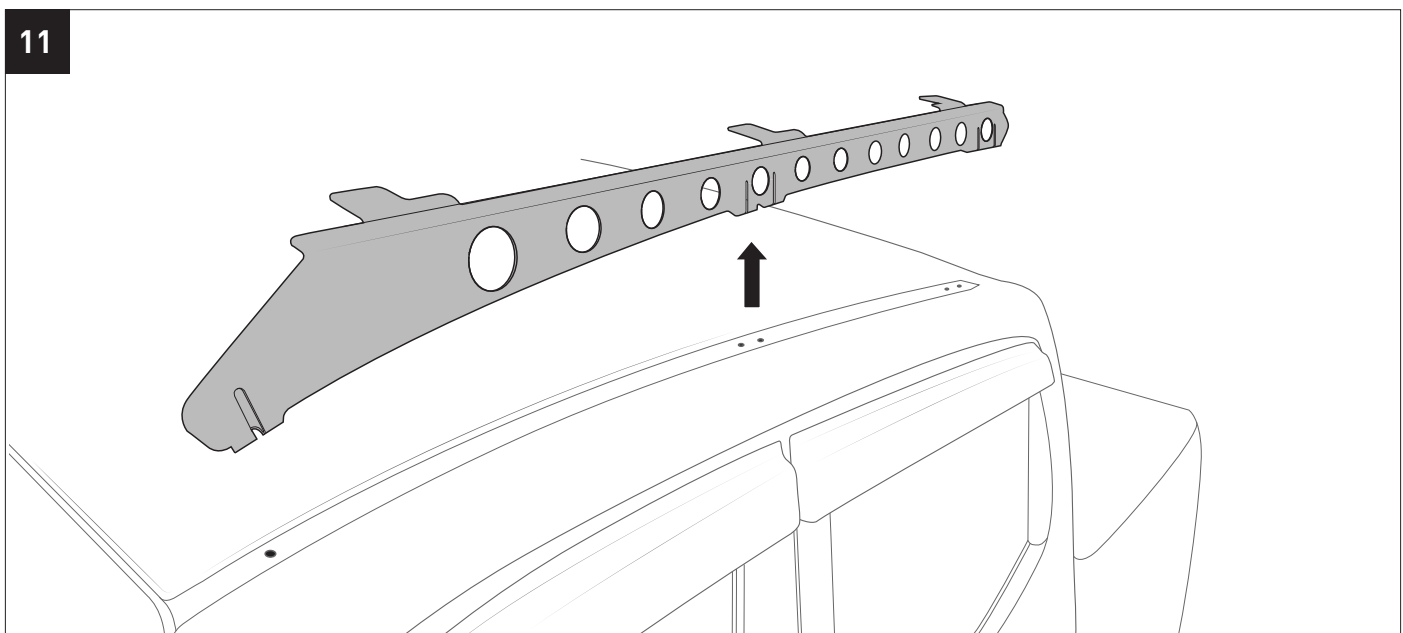
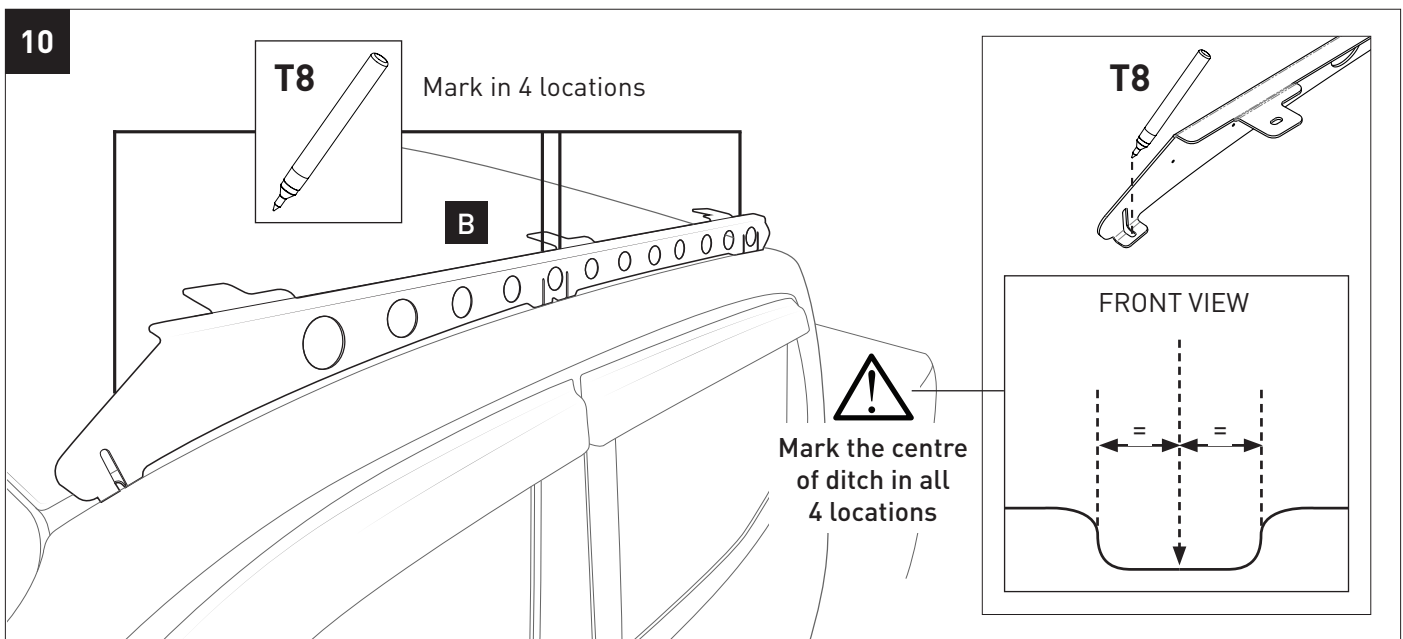
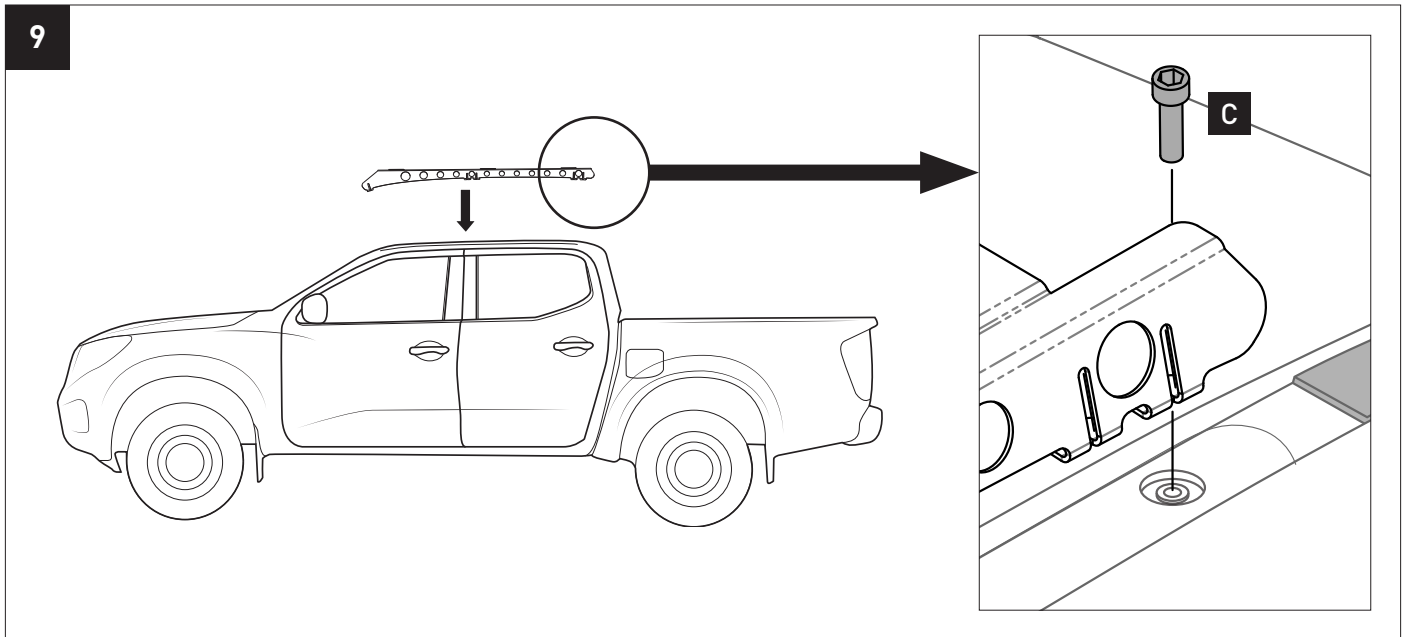


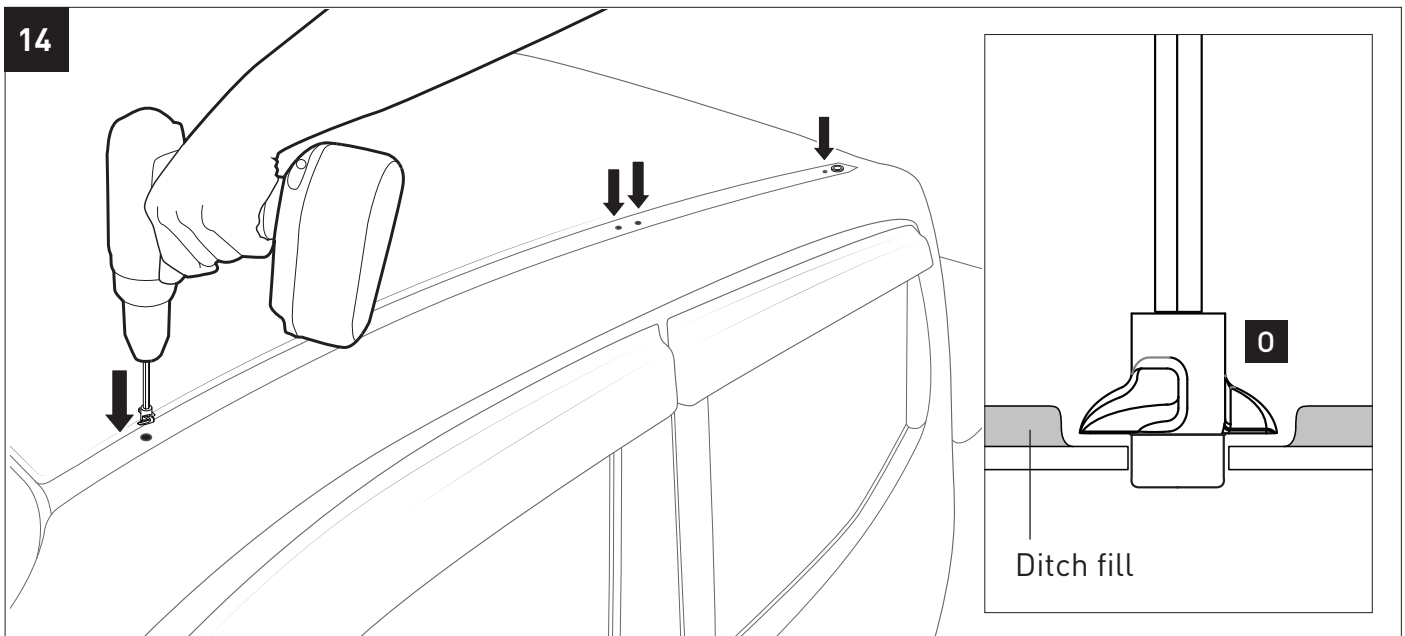
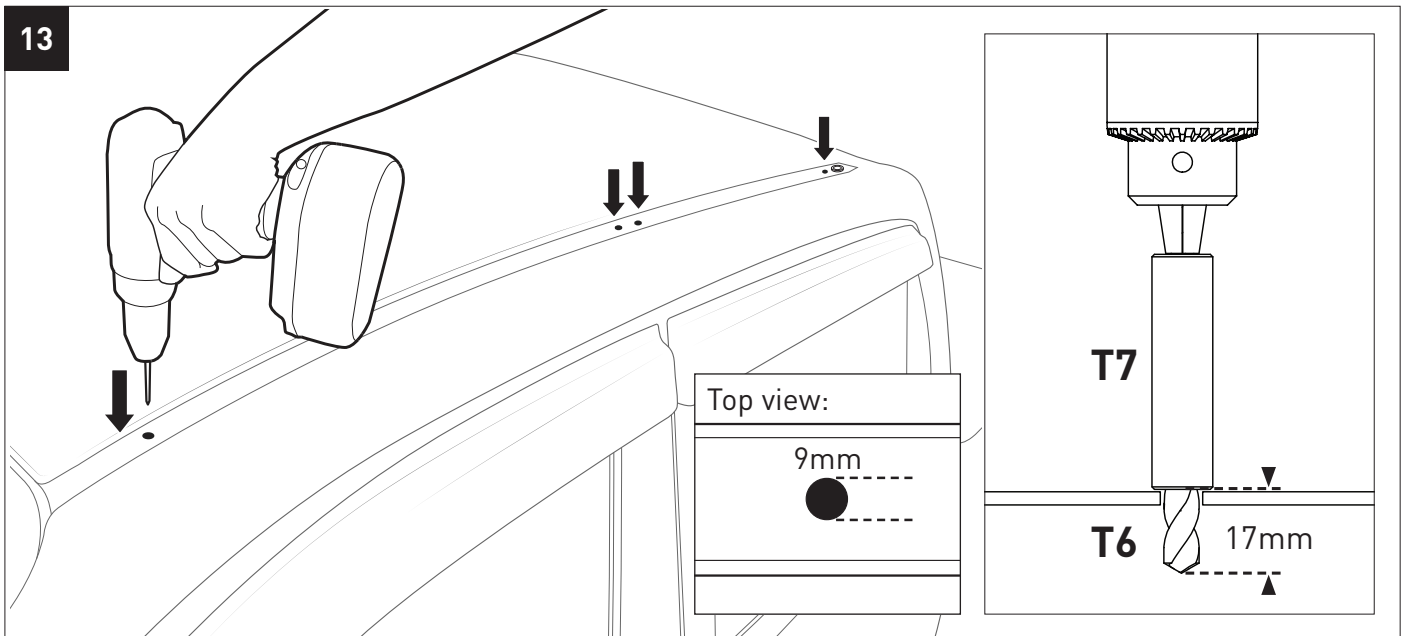
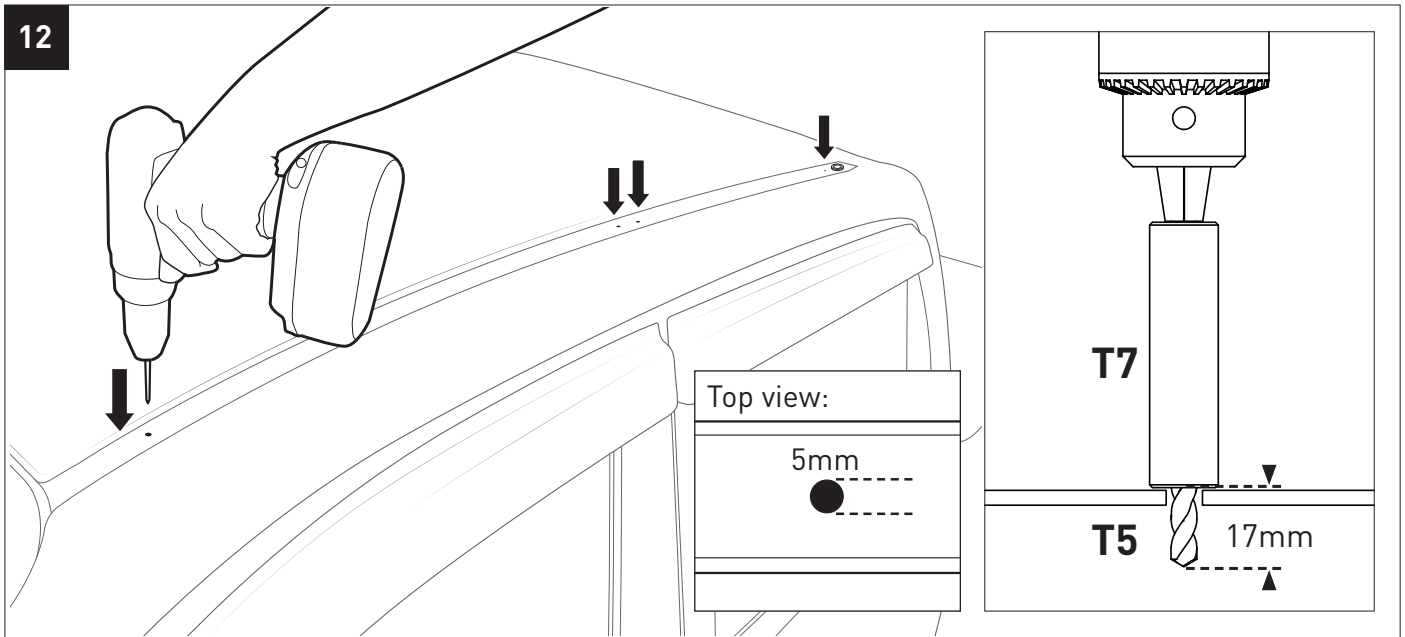
**FOR POST-FACELIFT:**





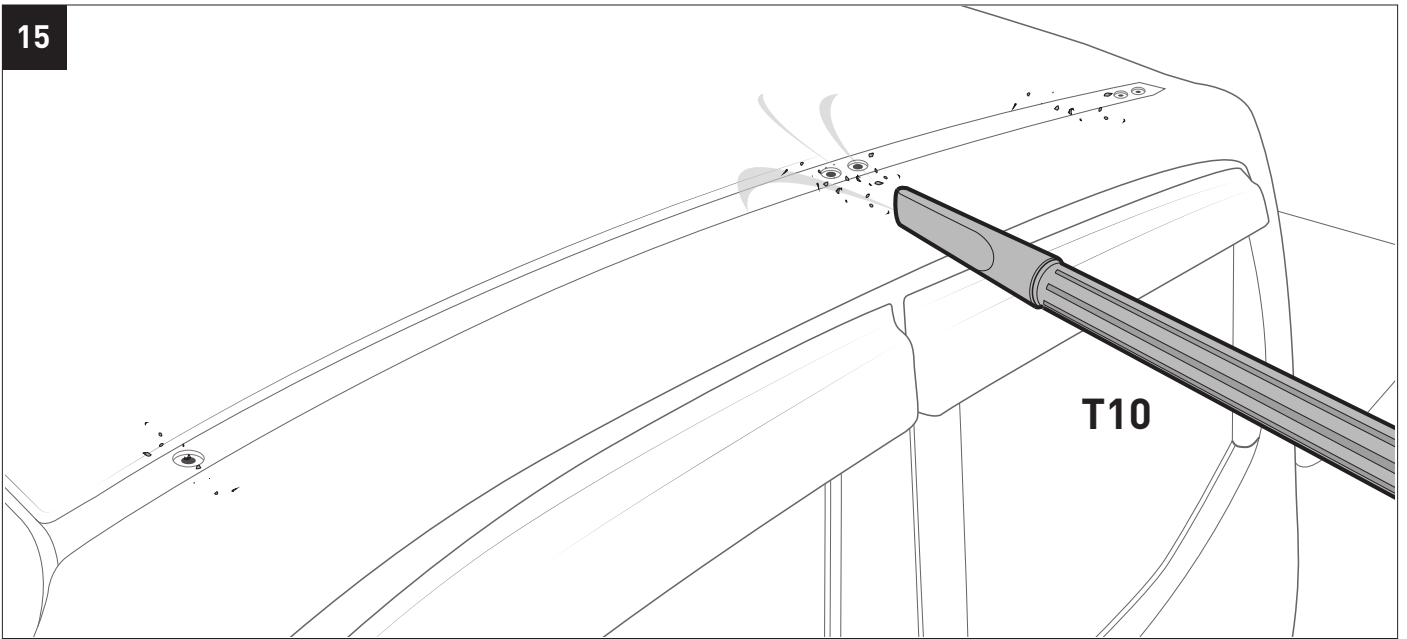




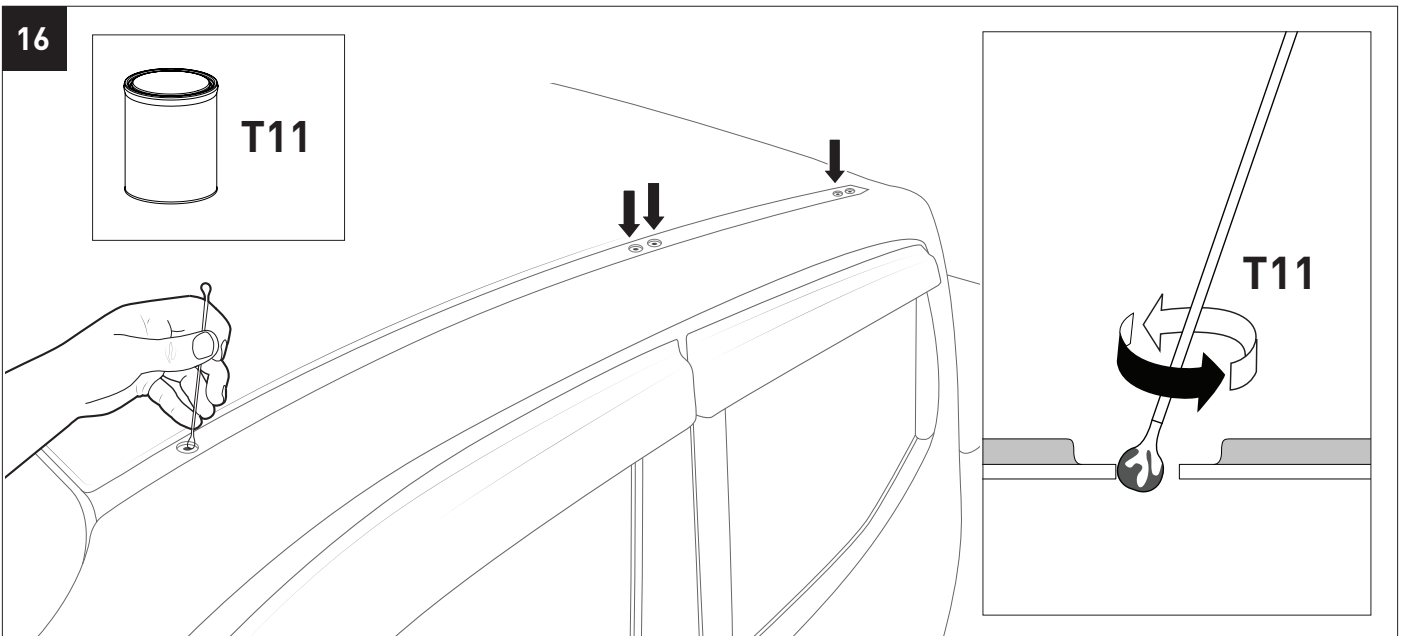




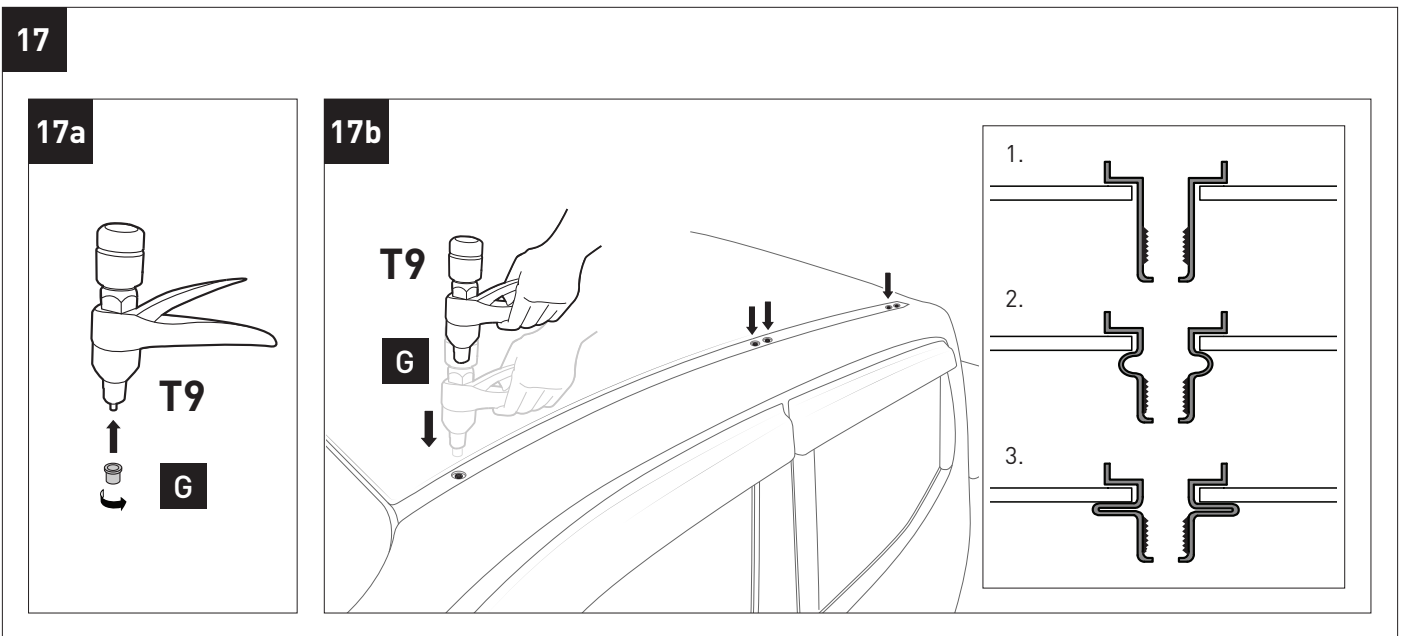
15



16



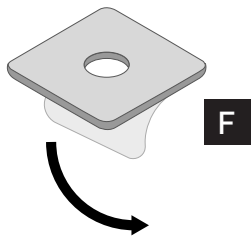
17



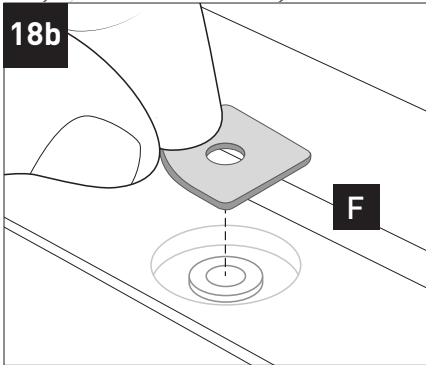
18



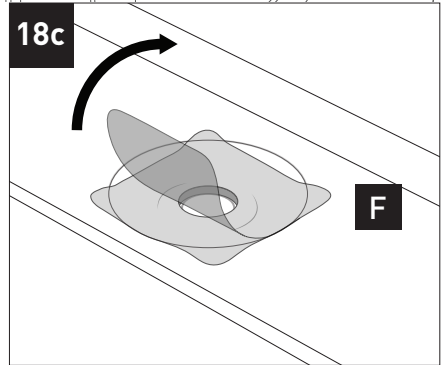
18a



18b

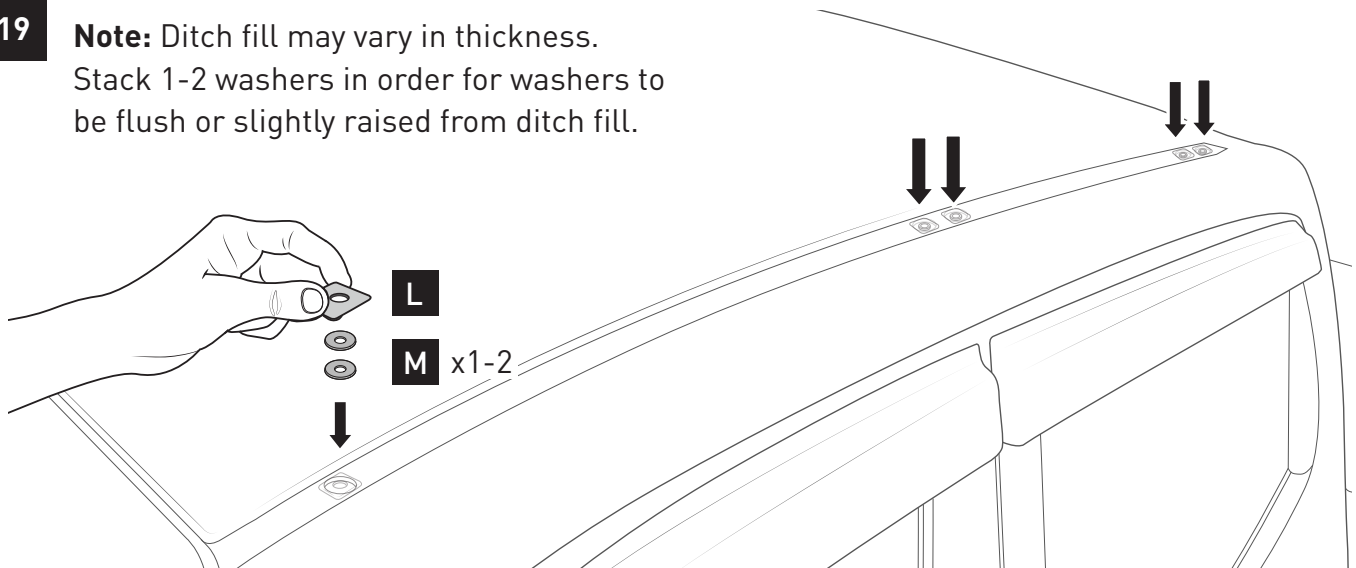


18c

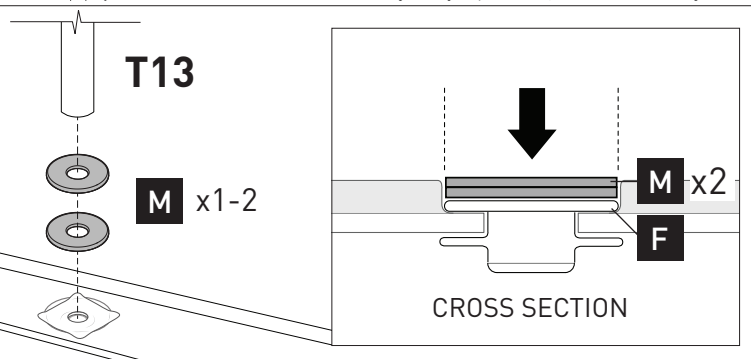


19

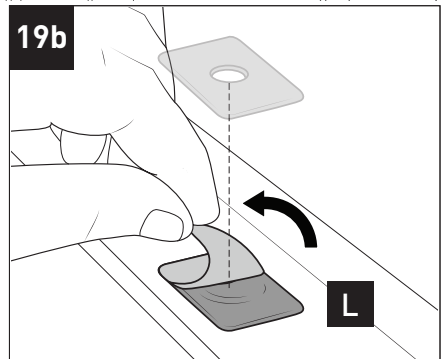
**Note:** Ditch fill may vary in thickness. Stack 1-2 washers in order for washers to be flush or slightly raised from ditch fill.



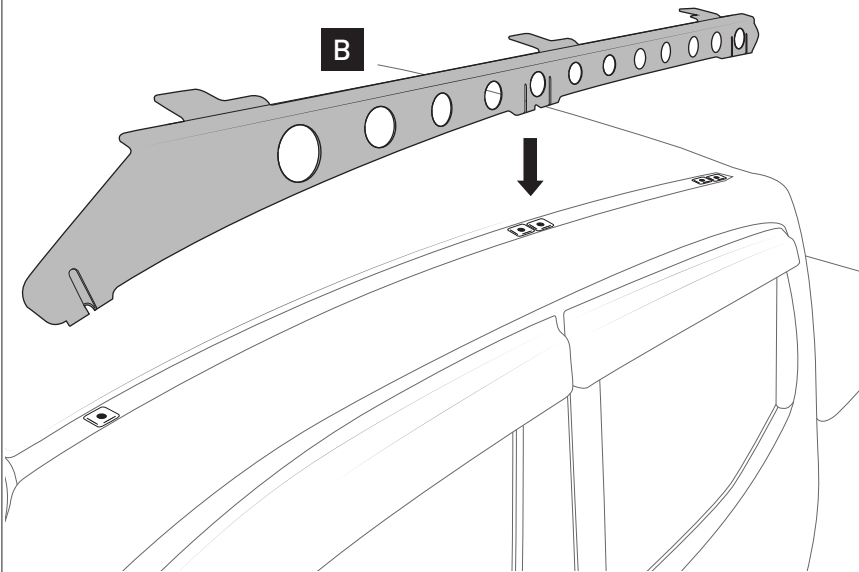
19a



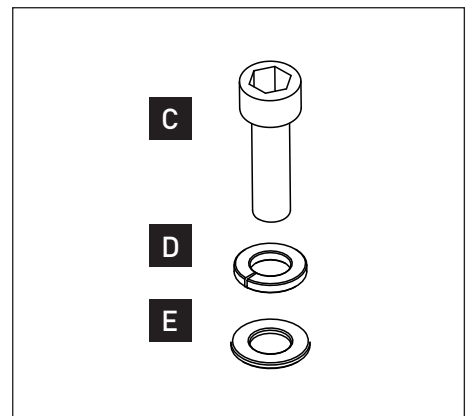
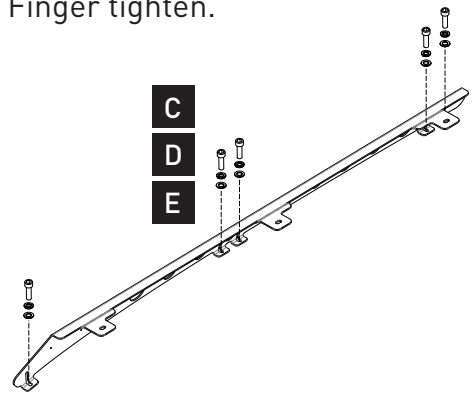
19b



20



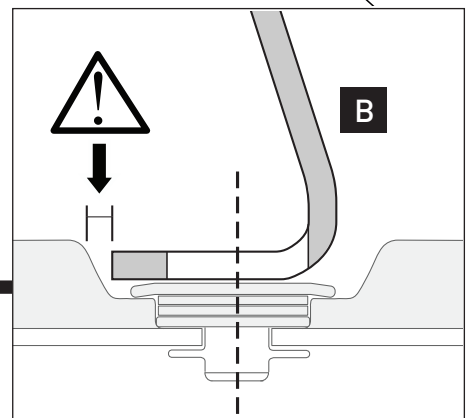
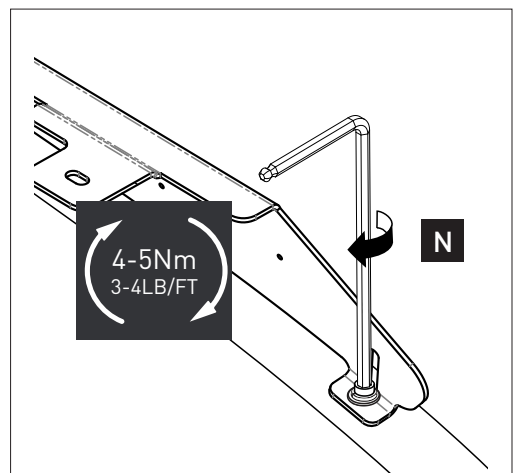
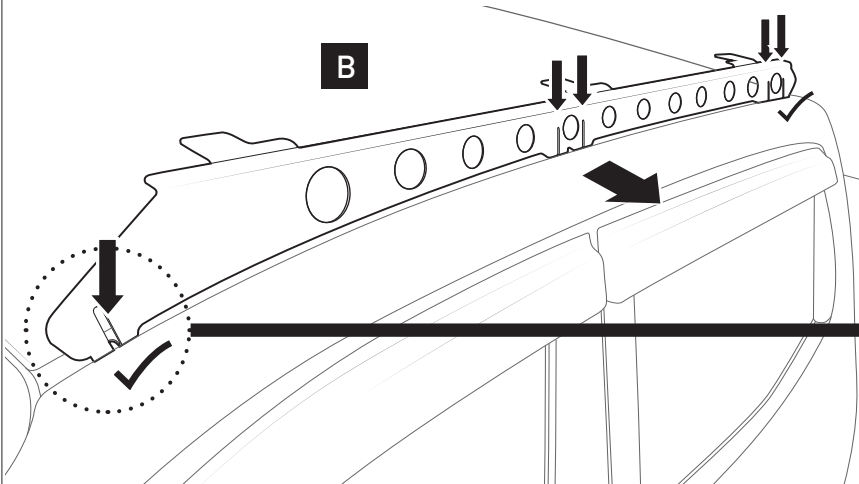
Finger tighten.



21 Repeat steps 1 to 21 to opposite side of vehicle.

Start each screw and gradually tighten incrementally keeping each leg as central on the ditch as possible.

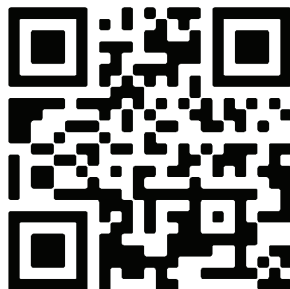
If required, lightly pull backbone middle legs outward to centralise while tightening.



22 PLATFORM INSTALLATION



rhinorack.com/roof



EXAMPLE ONLY

**RHINO-RACK | PIONEER VEHICLE FITTING INFORMATION**

VEHICLE	THRESHOLD	CONNECTOR	WEIGHT AFFECTED (KG)
2014-2017 Honda Civic Sedan (EX, EX-L, EX-T, EX-TL, EX-LT, EX-LT)	1.25"	1.25"	100
2014-2017 Honda Civic Hatchback (EX, EX-L, EX-T, EX-TL, EX-LT, EX-LT)	1.25"	1.25"	100
2014-2017 Honda Civic Sedan (EX, EX-L, EX-T, EX-TL, EX-LT, EX-LT)	1.25"	1.25"	100
2014-2017 Honda Civic Hatchback (EX, EX-L, EX-T, EX-TL, EX-LT, EX-LT)	1.25"	1.25"	100

**NOTE FOR DRIVERS:** USE ONLY THE RACKING SYSTEM AS SHOWN IN THE PHOTOGRAPH. DO NOT EXCEED THE WEIGHT LIMITS OR EXCEED THE WEIGHT DISTRIBUTION LIMITS. ALWAYS USE THE PROPER TIGHTENING TORQUE AND FOLLOW THE INSTALLATION INSTRUCTIONS.

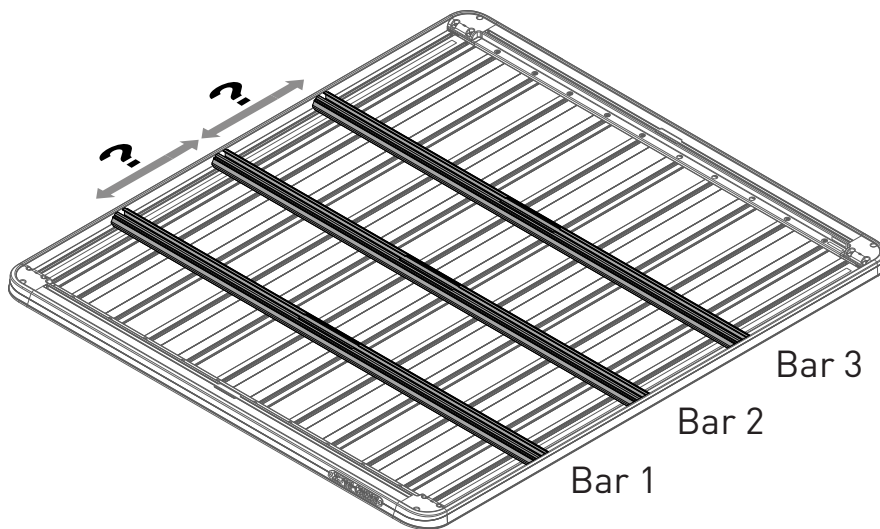
**VEHICLE WEIGHT LIMIT + 24 Kg (53 lbs) = RACKING SYSTEM WEIGHT LIMIT**

UP TO 96 Kg (212 lbs) + 24 Kg (53 lbs) = UP TO 120 Kg (265 lbs)

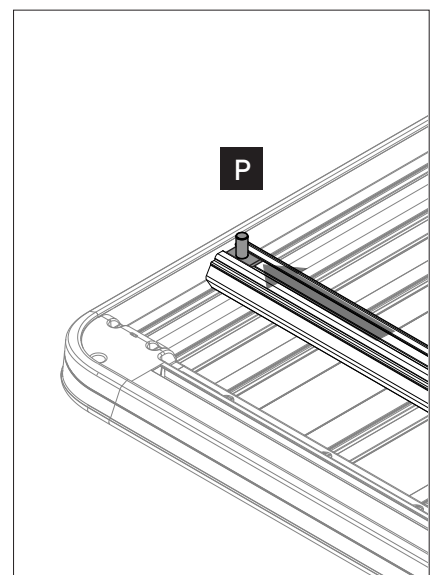
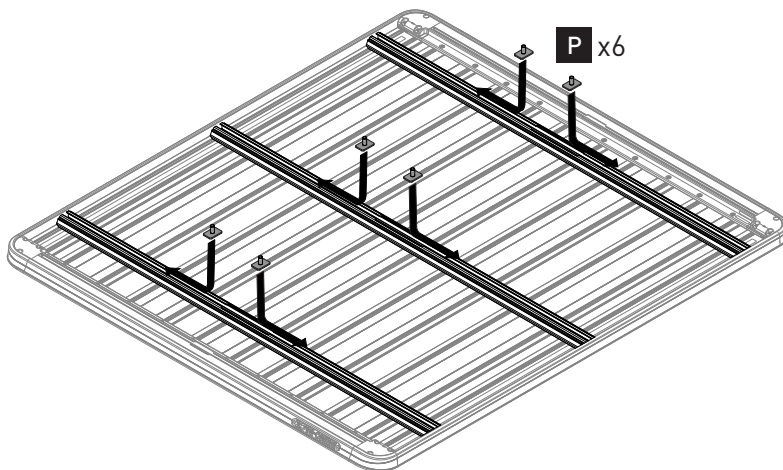
**UNDERBAR SPACING**

SPACING	A	B	C	D	E	F	G	H
1.25"								
1.5"								
1.75"								
2.0"								
2.25"								
2.5"								
2.75"								
3.0"								
3.25"								
3.5"								
3.75"								
4.0"								
4.25"								
4.5"								
4.75"								
5.0"								
5.25"								
5.5"								
5.75"								
6.0"								
6.25"								
6.5"								
6.75"								
7.0"								
7.25"								
7.5"								
7.75"								
8.0"								
8.25"								
8.5"								
8.75"								
9.0"								
9.25"								
9.5"								
9.75"								
10.0"								

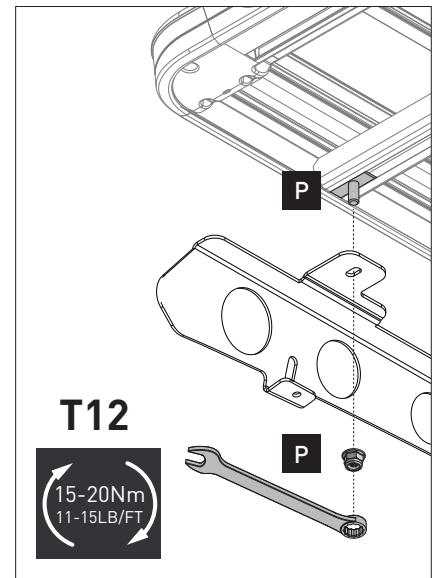
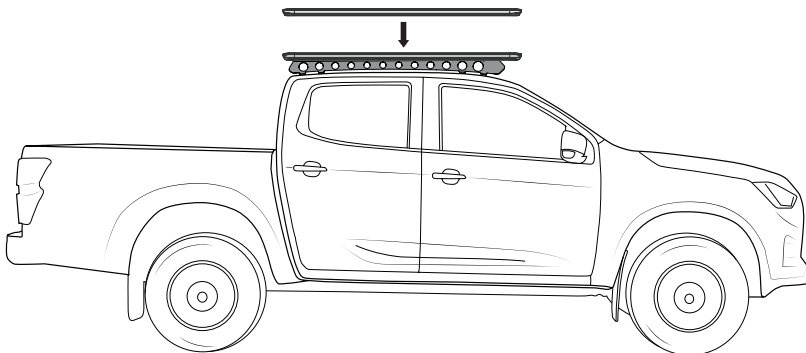
View Fitting Chart



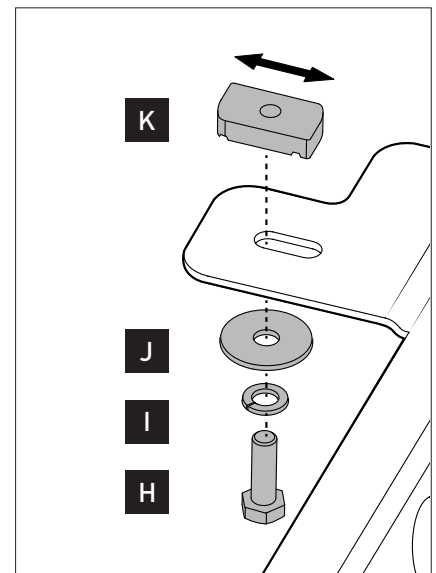
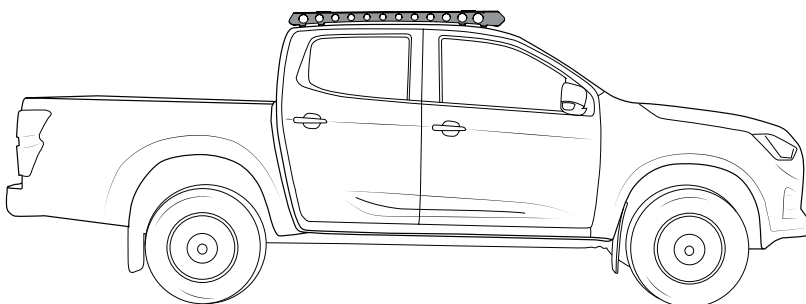
23 For 5XXXX Series Platform



**24** For 5XXXX Series Platform



**25** For 4XXXX Series Platform



**26** For 4XXXX Series Platform

