

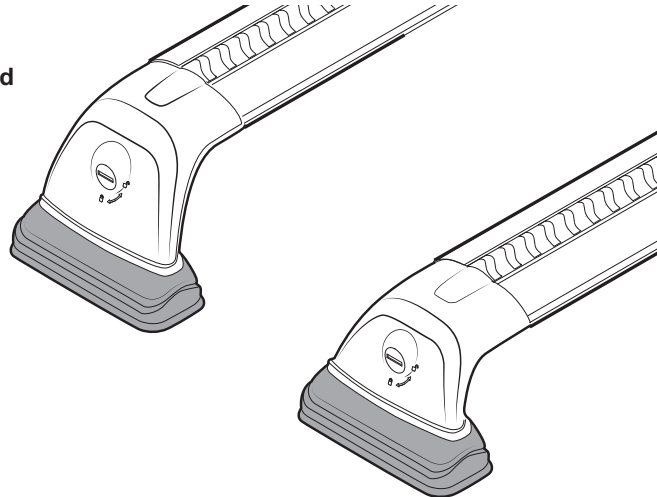


RHINO-RACK

RCP63-BK Base Kit

- Important:**
- 1. Please refer to your fitting instruction to ensure that the roof racks are installed in the correct locations.
 - 2. Check the contents of kit before commencing fitment and report any discrepancies.
 - 3. Place these instructions in the vehicle's glove box after installation is complete.
 - 4. These instructions must be followed for warranty to be upheld.

Note: Crossbars and legs sold as separate. Suitable for both RVL, RVH, RCL and RCH legs and bars.



Maximum carrying capacity: 80kg (176lbs) evenly distributed over crossbars.

On Road Cargo Allowance	Off Road Cargo Allowance	Roof Allowance	Rack Weight
70kg / 165lb	37.5kg / 82lbs	75kg / 165lbs	5kg / 11lb

Maximum carrying capacity: 75kg (165lbs) evenly distributed over crossbars when mounted on the strongest section of the roof. Please refer to your vehicle manufacturers handbook for maximum roof loading. Always use the lower of the two figures. Note: Be sure to check the Rhino-Rack website to see if you have the latest version of instructions before beginning.

Advisory:

It is essential that all bolt connections be checked after 48hrs from when you first install your crossbars. Bolt connections should be checked again at regular intervals (once a week is enough, depending on road conditions, usage, loads and distances travelled). You should also check the crossbars each time they are refitted. Make sure to fasten your load securely. Please ensure that all loads are evenly distributed and that the centre of gravity is kept as low as possible.

Use only non-stretch fastening ropes or straps.

Load Ratings

When these roof racks are to be used on a vehicle that is driven off sealed roads, the manufacturer maximum roof load rating (to be found in the vehicle's User Manual) should be divided by a safety factor of **2**. For example, if the vehicle's maximum roof load rating is 75kgs\165lbs, these racks, when fitted to this vehicle should have no more than 37.5kgs/82lbs loaded on them.

Caution:

The handling characteristics of the vehicle changes when you transport a load on the roof. For safety reasons we recommend you exercise extreme care when transporting wind-resistant loads. Special consideration must be taken into account when cornering and braking. **Please remove crossbars when putting vehicle through an automatic car wash.**

Note for Dealers and Fitters: It is your responsibility to ensure instructions are given to the end user or client.

Rhino-Rack
 3 Pike Street, Rydalmere,
 NSW 2116, Australia.
 (Ph) (02) 9638 4744
 (Fax) (02) 9638 4822

Document No: R1587
 Prepared By: Kayle Everett
 Authorised By: Chris Murty

Fit Time: 30min
 Issue No: 01
 Issue Date: 06/10/2017

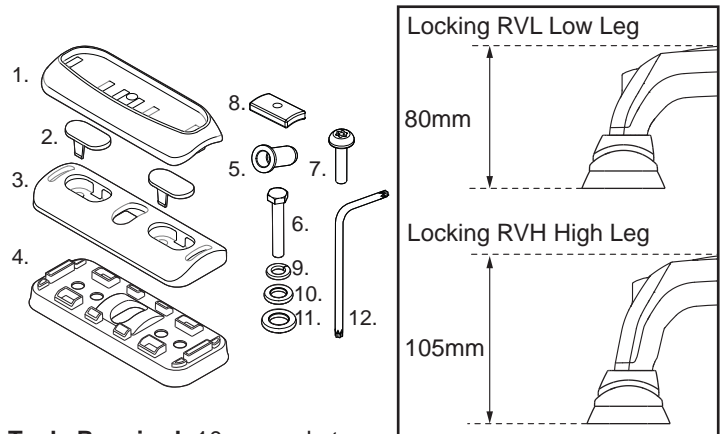
These instructions remain the property of Rhino-Rack Australia Pty. Ltd. and may not be used or changed for any other purpose than intended.



RCP63-BK Base Kit

Parts List

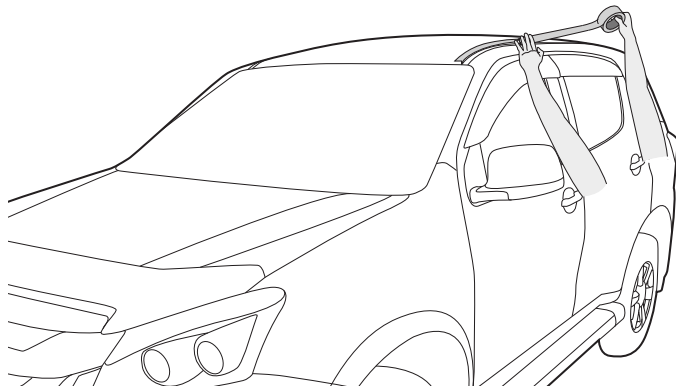
Item	Components	Qty	Part No.
1	Short Fixed Mount Rotation Block	2	M835
2	Short Fixed Mount Base Cover	4	M836
3	Short Fixed Mount Base	2	M834
4	Short Fixed Mount Flat Rubber	2	M837
5	Nutsert	4	H059
6	M6 x 30mm Hex Hex Setscrew	2	B202
7	M6 x 25mm Torx Screw	4	B244
8	M6 Curved Nut	2	N060
9	M6 Spring Washer	6	W004
10	M6 x 12.5 Flat Washer	4	W003
11	M6 x 16mm Flat Washer	2	W031
12	T27 Torx Key	1	H054
13	Instructions	1	R1587



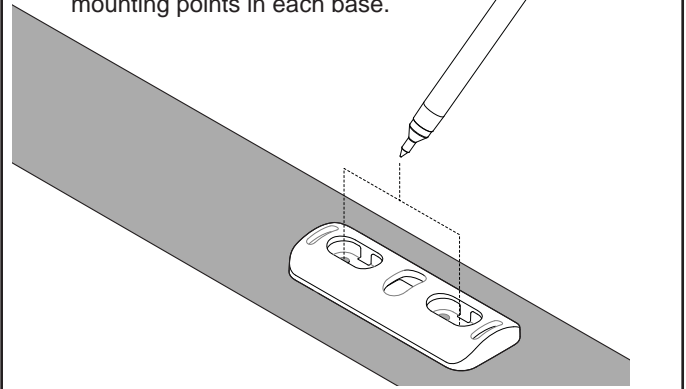
Tools Required: 10mm socket wrench. Masking tape. Drill with 9mm/6.5mm drill bit. Nutsert tool. Butyl mastic. **Note:** Legs and Crossbars are sold separate. Be sure to obtain correct kits for your vehicle.

Instructions

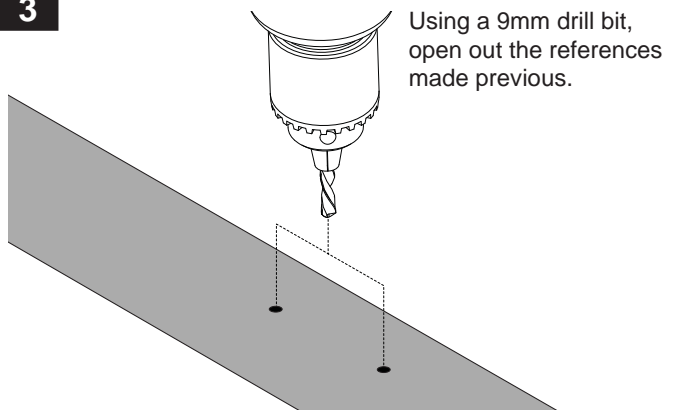
- 1** Apply masking tape to the approximate working area on the vehicle.



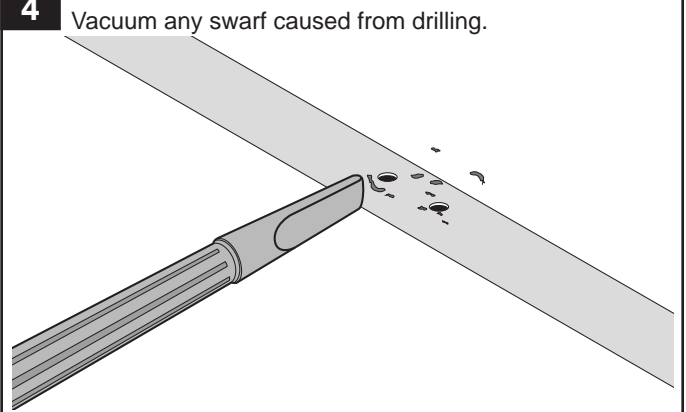
- 2** Place the short fixed bases into position on the vehicle, Spot mark the outer two mounting points in each base.



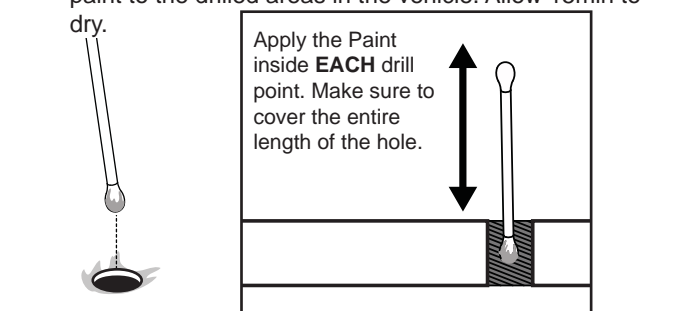
- 3** Using a 9mm drill bit, open out the references made previous.



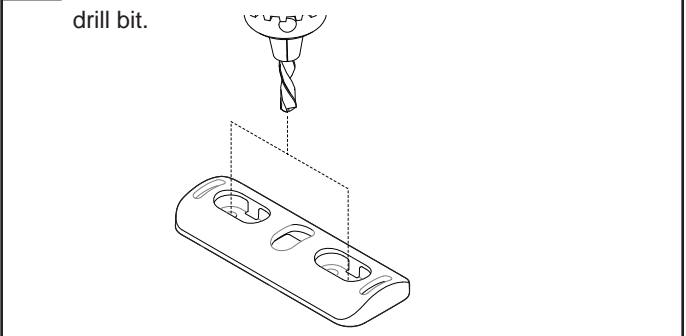
- 4** Vacuum any swarf caused from drilling.



- 5** Remove the masking tape and apply cold galvanising paint to the drilled areas in the vehicle. Allow 15min to dry.



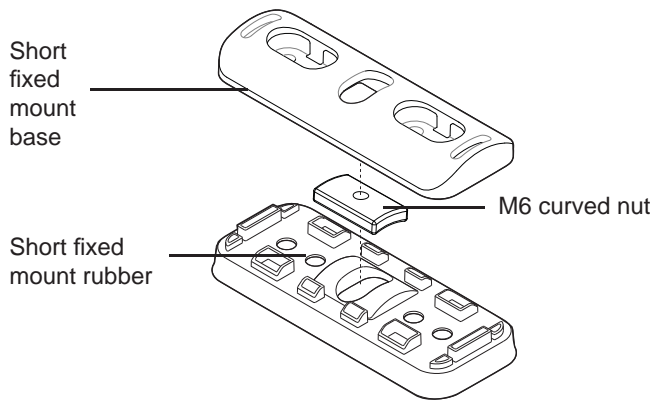
- 6** Drill out the holes in the base as shown with a 6.5mm drill bit.



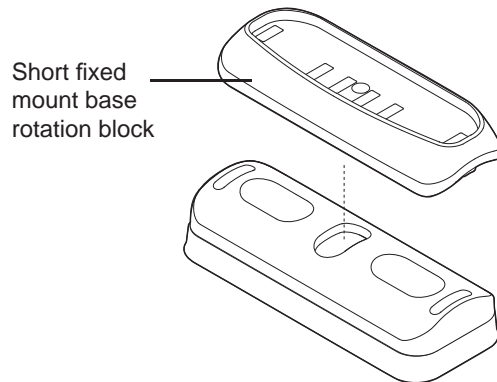


RCP63-BK Base Kit

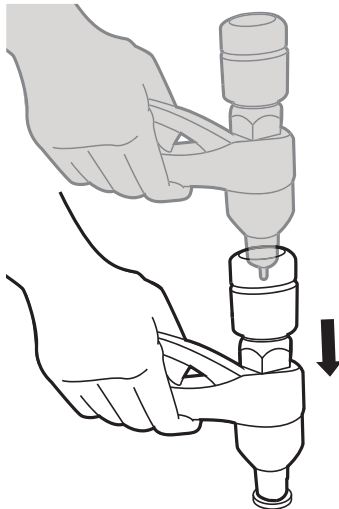
7 Assemble the short mounts as shown.



8 Place the short fixed mount rotation block onto the assembly.

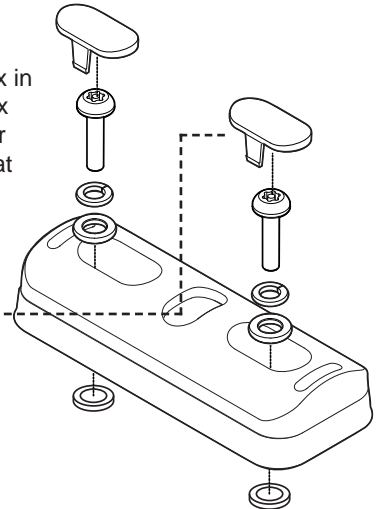


9 Using a nutsert tool, install the nutserts into the drilled holes on the vehicle.

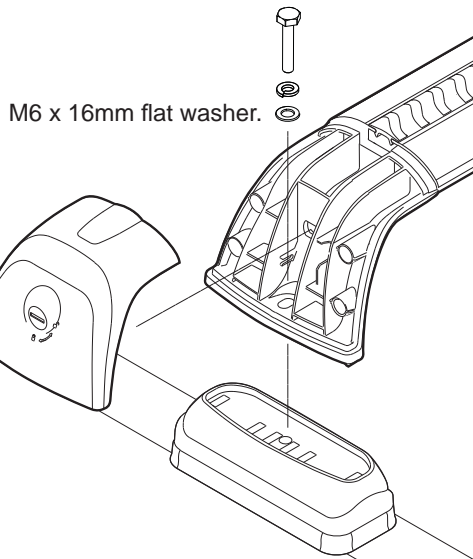


10 Place the base assemblies over the installed nutserts. Fix in place with an M6 torx screw, spring washer and M6 x 12.5mm flat washer.

Place the short fixed mount covers over the installed torx screws.



11 Install crossbars as per crossbar individual instructions. RVL crossbars shown as example only.



Be sure fixtures are secure before use.

