



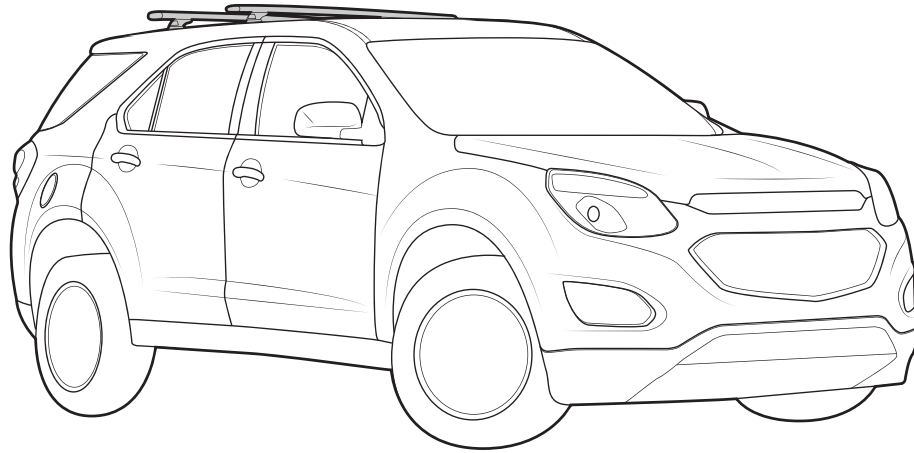
RHINO-RACK

RCP62-BK Holden Equinox

- Important:**
- 1. Please refer to your fitting instruction to ensure that the roof racks are installed in the correct locations.
 - 2. Check the contents of kit before commencing fitment and report any discrepancies.
 - 3. Place these instructions in the vehicle's glove box after installation is complete.
 - 4. These instructions must be followed for warranty to be upheld.

Layout:

Note: Crossbars and legs sold as separate.



Important Information

On Road Cargo Allowance	Off Road Cargo Allowance	Roof Allowance	Rack Weight
70kg / 165lb	37.5kg / 82lbs	75kg / 165lbs	5kg / 11lb

Maximum roof load: 75kg/165lbs evenly distributed across two crossbars. Refer to vehicle owners manual for maximum roof loading. Always use lower of the two figures. Note: Be sure to check Rhino-Rack website to see if you have the latest version of instructions before beginning installation.

Torque settings

Unless stated otherwise in these instructions, all fasteners should be set to the following torque settings - M6: 4-5Nm (3-4lbs/ft), M8: 8-10Nm (6-7.5lbs/ft) and M10: 16-18Nm (12-13lbs/ft).

Recommendations:

It is essential that all bolt connections be checked after driving a short distance when you first install your crossbars. Bolt connections should be checked and lubricated at regular intervals (probably once a week is enough, depending on road conditions, usage, loads and distances travelled). You should also check the crossbars each time they are refitted. Make sure to fasten your load securely. Please ensure that all loads are evenly distributed and that the centre of gravity is kept as low as possible.

Crossbars must be removed when putting vehicle through an automatic car wash.

Use only non-stretch fastening ropes or straps.

Caution: The handling characteristics of the vehicle changes when you transport a load on the roof. For safety reasons we recommend you exercise extreme care when transporting wind-resistant loads. Special consideration must be taken into account when cornering and braking.

Off-road Load Rating:

When crossbars are to be used in off-road conditions, please use load limit for off-road use, 2 crossbars = **37.5kg 82lbs**. Although the crossbars are tested and approved to AS1235-2000, off-road conditions can be much more rigorous. However, increasing the number of crossbars does not increase the vehicles maximum permissible roof loading.

Note for Dealers and Fitters:

It is your responsibility to ensure instructions are given to the end user or client.

Rhino-Rack
3 Pike Street, Rydalmere,
NSW 2116, Australia.
(Ph) (02) 9638 4744
(Fax) (02) 9638 4822

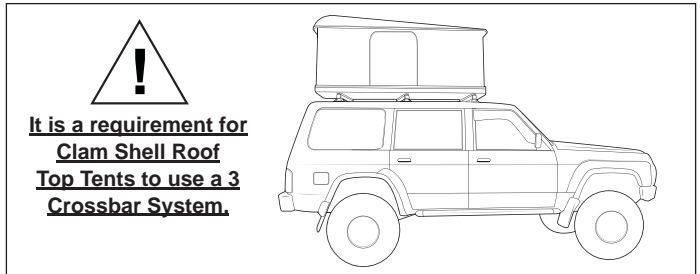
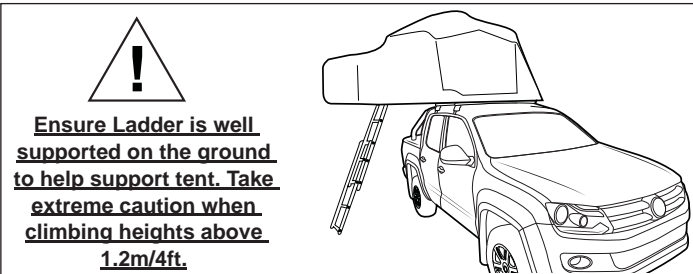
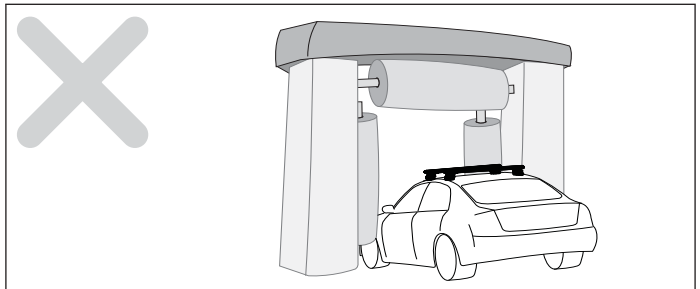
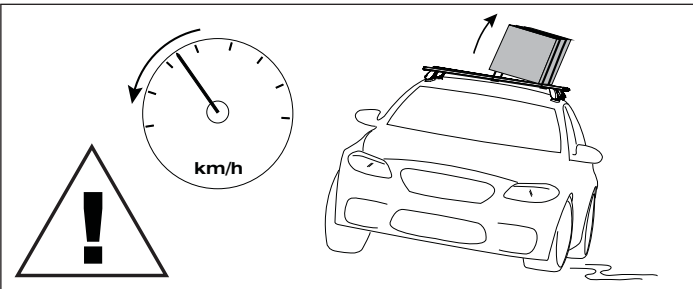
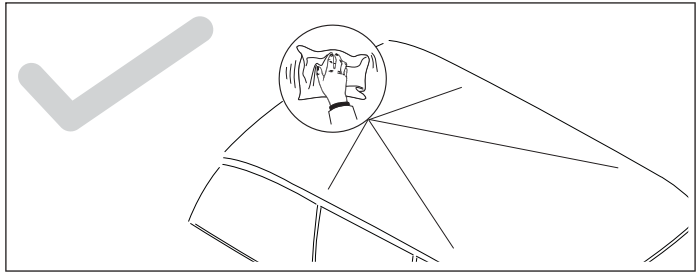
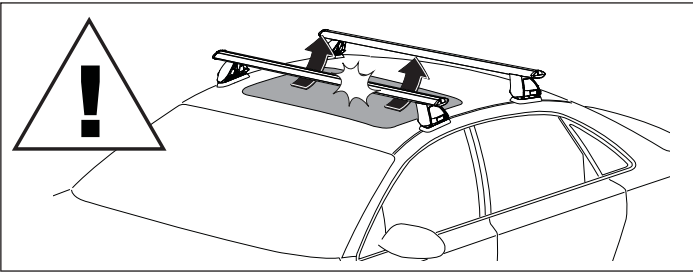
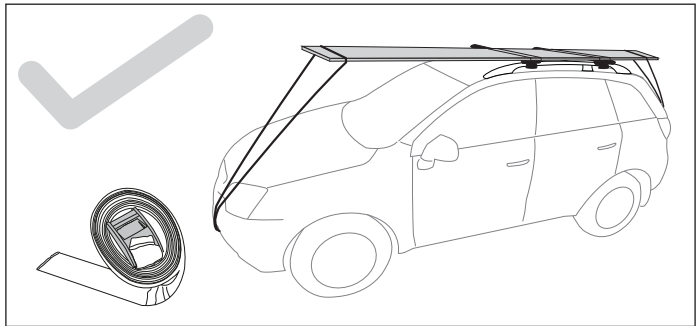
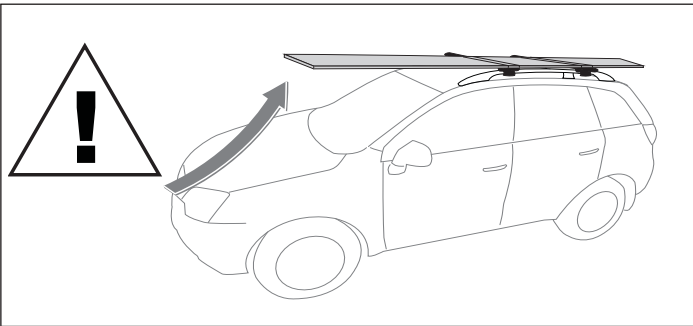
Document No: R1746
Prepared By: Kayle Everett
Authorised By: Chris Murty

Fit Time: 30min
Issue No: 01
Issue Date: 02/03/2018

These instructions remain the property of Rhino-Rack Australia Pty. Ltd. and may not be used or changed for any other purpose than intended.

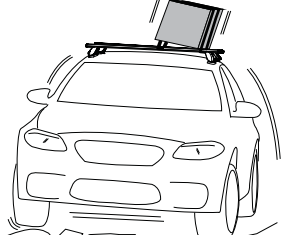
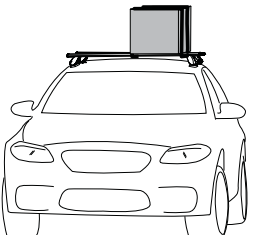


RCP62-BK Holden Equinox




When these roof racks are to be used on a vehicle that is driven off sealed roads, the maximum roof rack load rating allowed is 37.4kg/82lbs*.

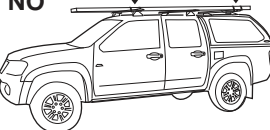
75kg/165lbs load rating (Urban road)	=	37.5kg/82lbs load rating (Off road - 75kg / 1.5)
---	---	---




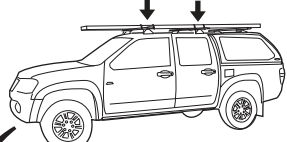
WARNING! Important Load Carrying Instructions


With utility vehicles, the cabin and the canopy move independently. Roof racks and vehicle can be damaged if the item transported is rigidly fixed at points on both the cabin and canopy. Instead, rigidly fix to either the cabin roof racks or the canopy roof racks.


 **NO**




 **YES**

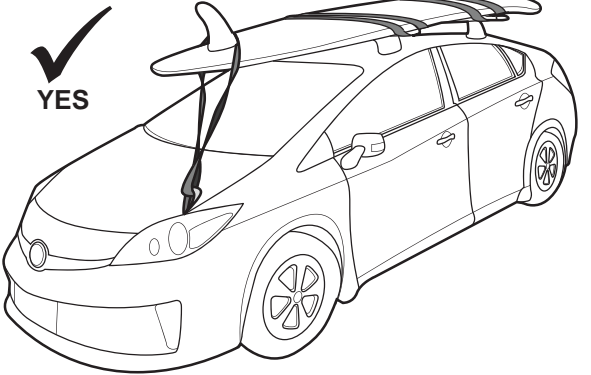


 **YES**



Paddle/ Surfboards should be fixed to the front of the vehicle.

 **YES**



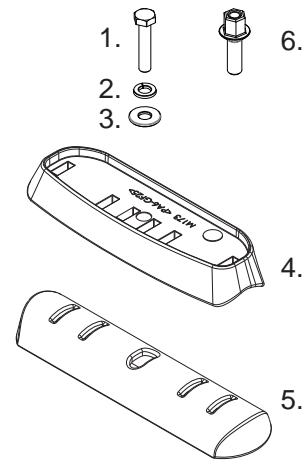


RCP62-BK Holden Equinox

Parts List

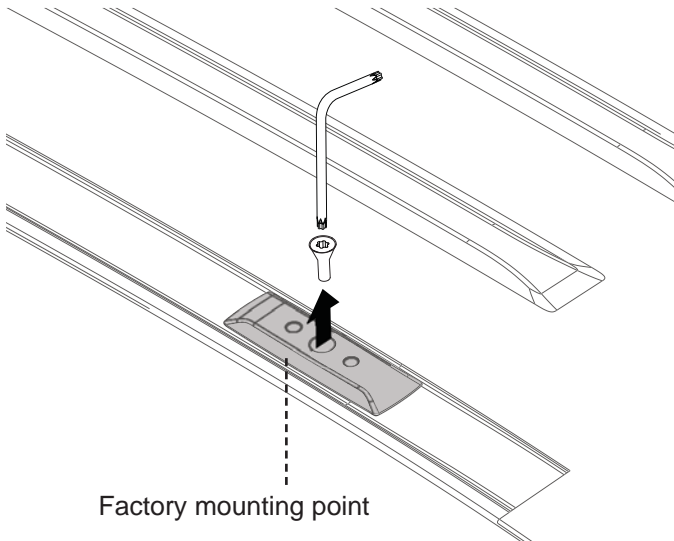
Item	Components	Qty	Part No.
1	M6 x 30mm Hex Setscrew	4	B202
2	M6 Spring Washer	4	W004
3	M6 x 16mm Flat Washer	4	W031
4	Top Pad	4	M173
5	Bottom Pad	4	M172-A
6	M8 Equinox Stud	4	CA1815
7	Instruction	1	R1746

Tools Required: 11mm socket wrench.
T30 torx wrench.
10mm socket wrench.

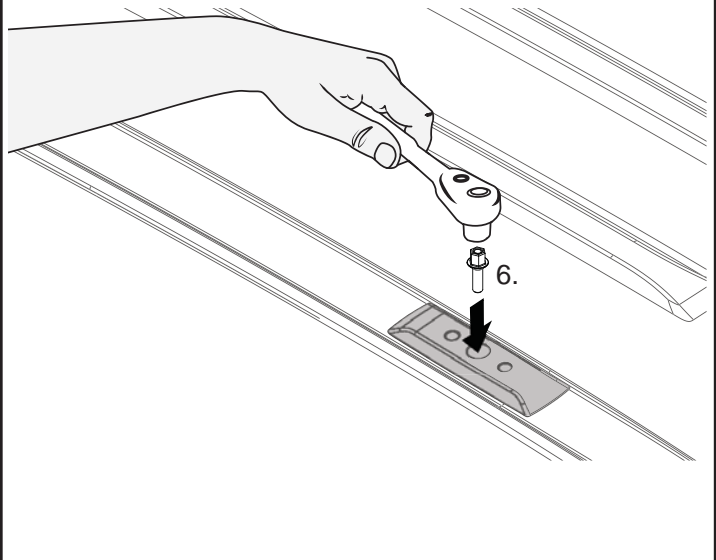


Instructions

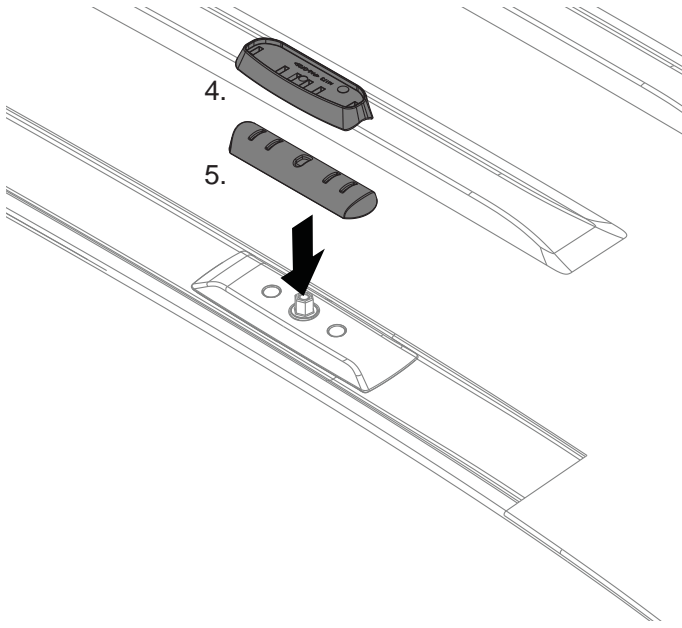
- 1** Using a T30 torx key, remove the factory torx screws from the four mounting points on the roof. Store in glove box to re-install when roof rack is not in use.



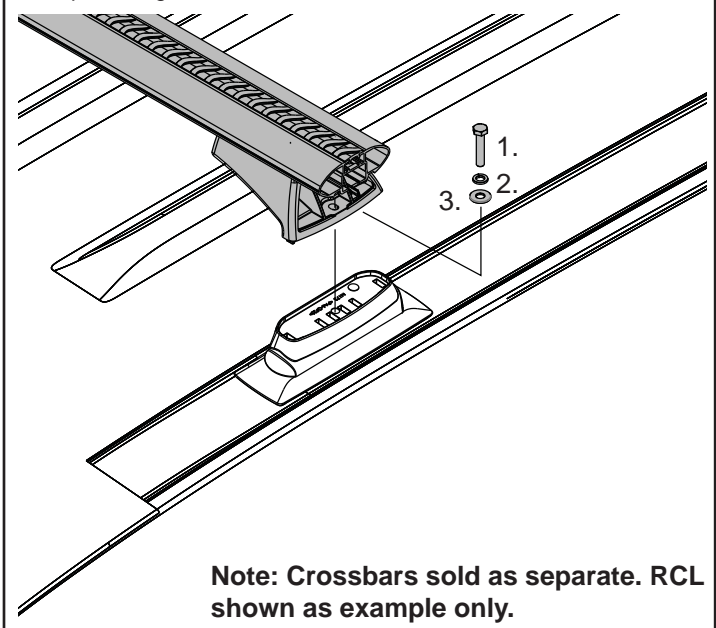
- 2** Install the crossbar adaptor screws into each mounting point. Tighten to 11-12Nm using a 11mm socket and wrench.



- 3** Drop the rotation block and base pads over the installed adaptor screws. Note: Slots in the base pad face the outside of the vehicle.



- 4** Drop front and rear crossbars onto the vehicle. Using the M6 hex bolts, M6 flat and spring washers, fix the crossbars in place. Tighten to 4-5Nm with a 10mm socket wrench.



Note: Crossbars sold as separate. RCL shown as example only.