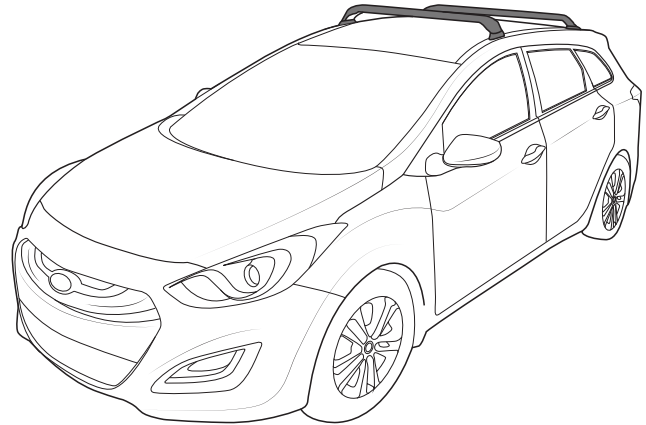
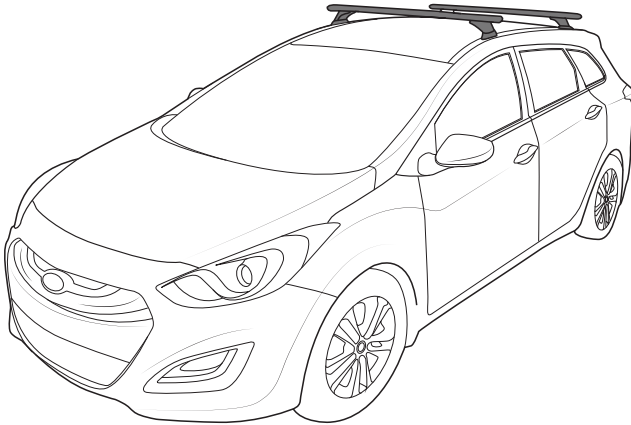




RHINO-RACK

RCP40-BK Hyundai i30 & i40 Tourer

Important: Please read these instructions carefully prior to installation.
Please refer to your fitting instruction to ensure that the roof racks are installed in the correct locations.
Check the contents of kit before commencing fitment and report any discrepancies



Note: Crossbars and legs sold as separate.

Important Information.

1. Check Part No./Kit is correct
2. Read through instruction before installing
3. Fit roof rack accessory
4. Check and recheck all fasteners are secure

Maximum roof load: 75kg/165lbs evenly distributed across two crossbars. Refer to vehicle owners manual for maximum roof loading. Always use lower of the two figures. Note: Be sure to check the Rhino-Rack website to see if you have the latest version of instructions before beginning installation.

Recommendations:

It is essential that all bolt connections be checked after driving a short distance when you first install your crossbars. Bolt connections should be checked again at regular intervals (probably once a week is enough, depending on road conditions, usage, loads and distances travelled). You should also check the crossbars each time they are refitted. Make sure to fasten your load securely. Please ensure that all loads are evenly distributed and that the centre of gravity is kept as low as possible. Use non stretch ropes.

Please remove crossbars when putting vehicle through an automatic car wash.

Load Ratings:

Maximum permissible load is 75kg (165lbs) for two crossbars including the weight of the crossbars, 5kg (11lbs). When crossbars are to be used in off-road conditions, please build a safety factor of 1.5 into this load limit for off-road use, two crossbars **50kg (110lbs)**. Although the crossbars are tested and approved to AS1235-2000, Off road conditions can be much more rigorous. However, increasing the number of crossbars does not increase the vehicles maximum permissible roof loading.

Note for Dealers and Fitters:

It is your responsibility to ensure instructions are given to the end user or client.

Rhino-Rack
3 Pike Street, Rydalmere,
NSW 2116, Australia.
(Ph) (02) 9638 4744
(Fax) (02) 9638 4822

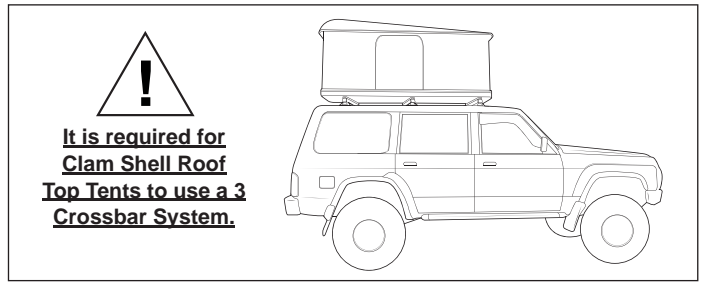
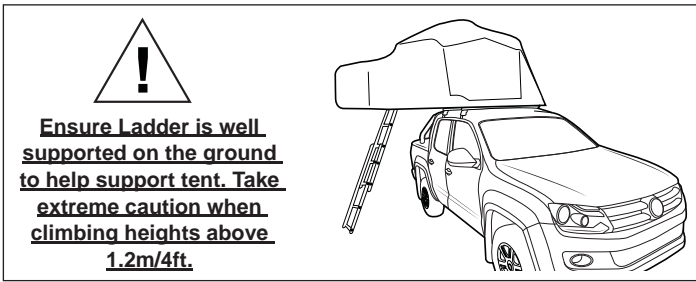
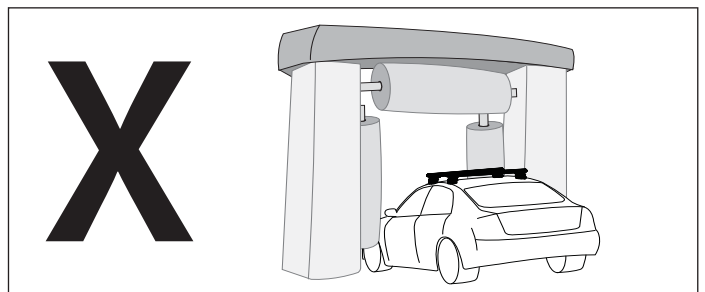
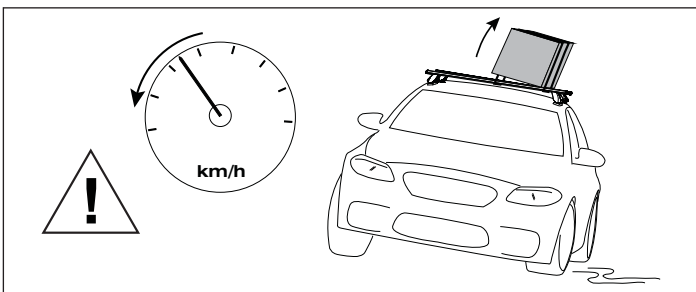
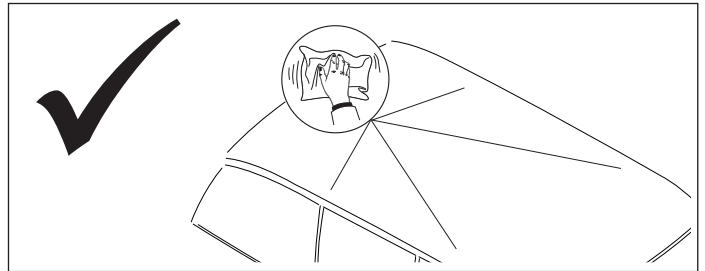
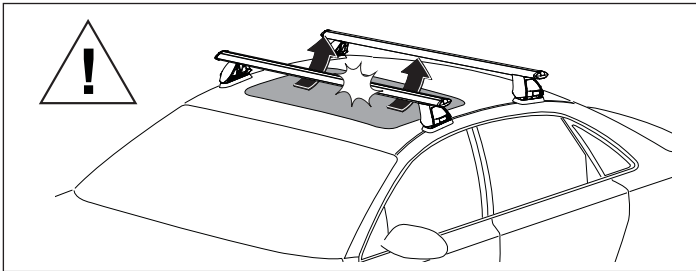
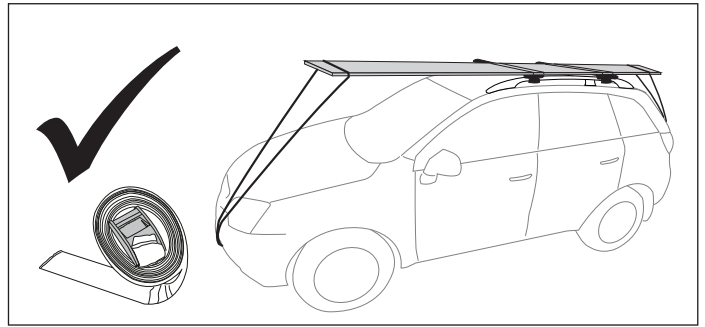
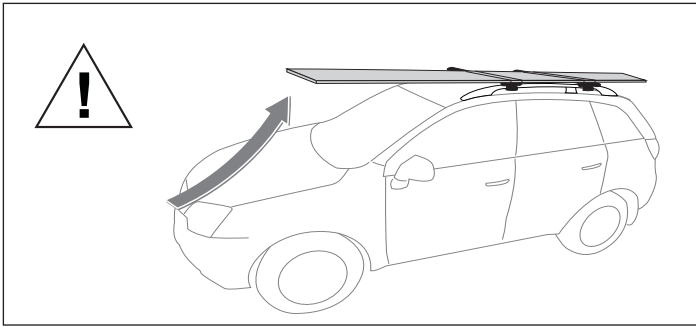
Document No: R1344
Prepared By: Kayle Everett
Authorised By: Chris Murty

Fit Time: 30min
Issue No: 01
Issue Date: 24/04/2017

These instructions remain the property of Rhino-Rack Australia Pty. Ltd. and may not be used or changed for any other purpose than intended.



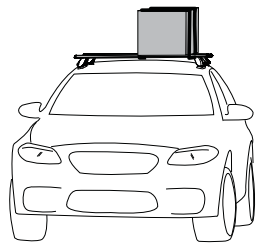
RCP40-BK - Hyundai i30, i40 Tourer



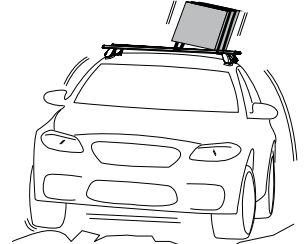
Ensure Ladder is well supported on the ground to help support tent. Take extreme caution when climbing heights above 1.2m/4ft.

It is required for Clam Shell Roof Top Tents to use a 3 Crossbar System.

When these roof racks are to be used on a vehicle that is driven on sealed roads the maximum load rating must be divided by 1.5. Remember to subtract the weight of the roof racks to determine your maximum permissible load capacity.

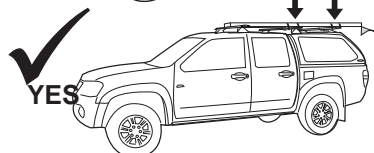
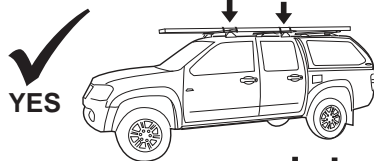
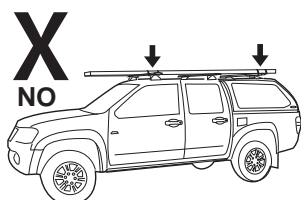


2 bars 75kg (165lbs) load rating (Urban road) = 2 bars 50kg (110lbs) load rating (Off road)
Load rating not taking into account crossbar weight - 5kg

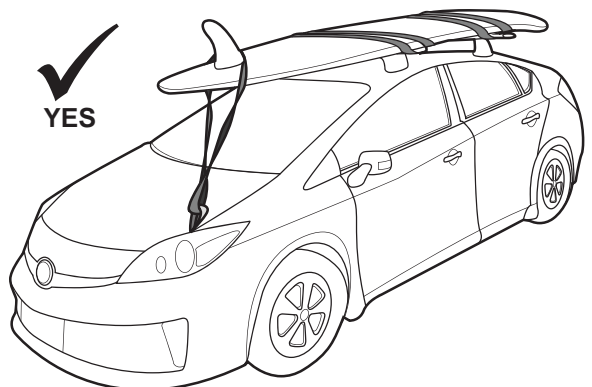


WARNING! Important Load Carrying Instructions

With utility vehicles, the cabin and the canopy move independently. Roof racks and vehicle can be damaged if the item transported is rigidly fixed at points on both the cabin and canopy. Instead, rigidly fix to either the cabin roof racks or the canopy roof racks.



Paddle/ Surfboards should be fixed to the front of the vehicle.

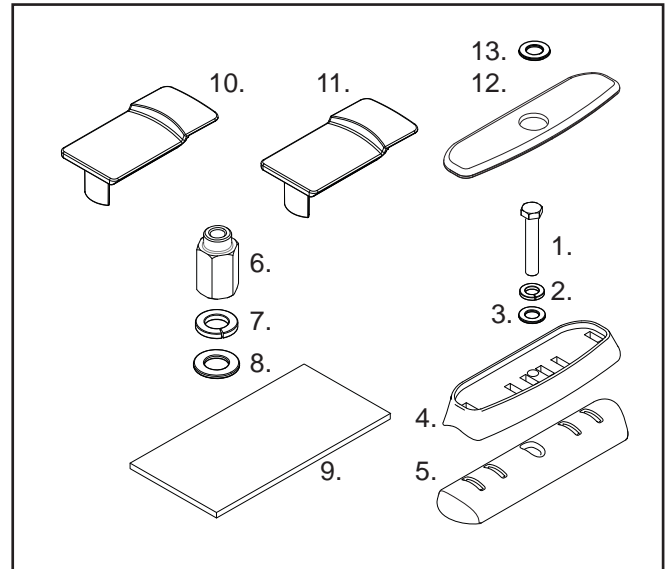




RCP40-BK - Hyundai i30, i40 Tourer

Parts List.

Item	RCP40-BK	Qty.	Part No.
1	M6 x 35mm Hex Setscrew	4	B203
2	M6 spring washer	4	W004
3	M6 x 16mm flat washer	4	W031
4	Top pad	4	M173
5	Bottom Pad	4	M172-A
6	Fixed Mount Adapter	4	CA1376
7	M8 Spring Washer	4	W019
8	M8 x 19 x 2.5mm Flat Washer	4	W043
9	Foam Pad	1	CA1443
10	Cover Plate i40	2	M765
11	Cover Plate i30/ i40	4	M792
12	Cover Plate	4	M126
13	M6 Washer (used on cover plate)	4	W003
14	Fitting Instruction	1	R1344



Tools Required:

- 1 - 10mm socket wrench.
- 2 - Flat Blade Screwdriver.

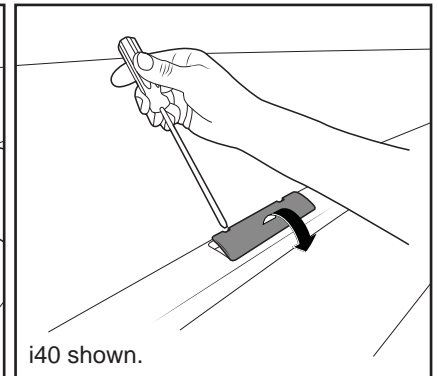
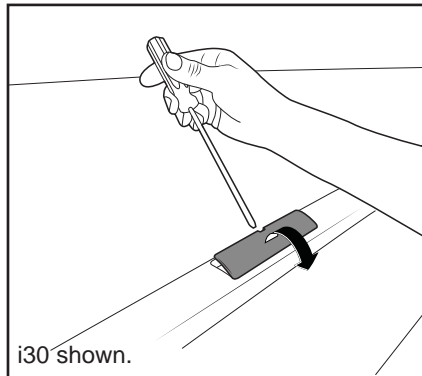
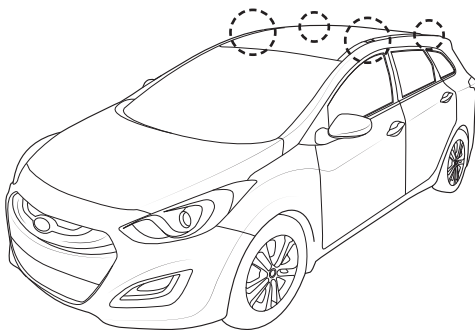
Instructions.

NOTE:

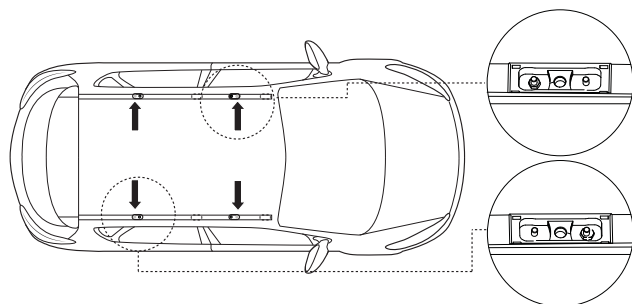
Though both the Hyundai i30 and i40 use the same RLCP40 fit kit, the step for either fitment may vary slightly. Read the instruction carefully before attempting to install. Direct any questions for the fitment back to place of purchase.

Do not attempt to fit Crossbars if you are not confident in your abilities to fit.

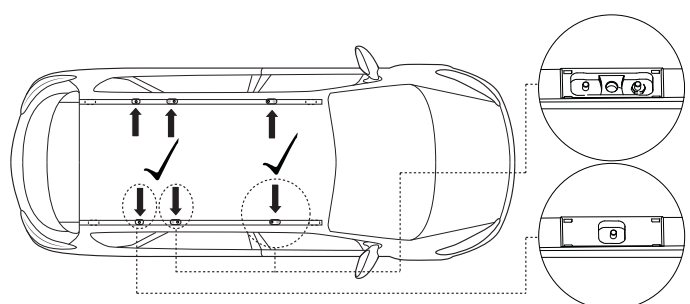
- 1** Locate the four mount points on the roof rails you intend on using. Carefully remove the covers using a flat blade screwdriver. Store the covers for future use when racks are removed.



- 2** Locate the exposed M8 studs. Do not remove the factory M8 nuts when using the Front and Middle mount point. Note: If using the rear mounting point on the i40 the M8 nut needs to be removed and replaced with the M8 Stud and Washer assembly.



i30 Top View:



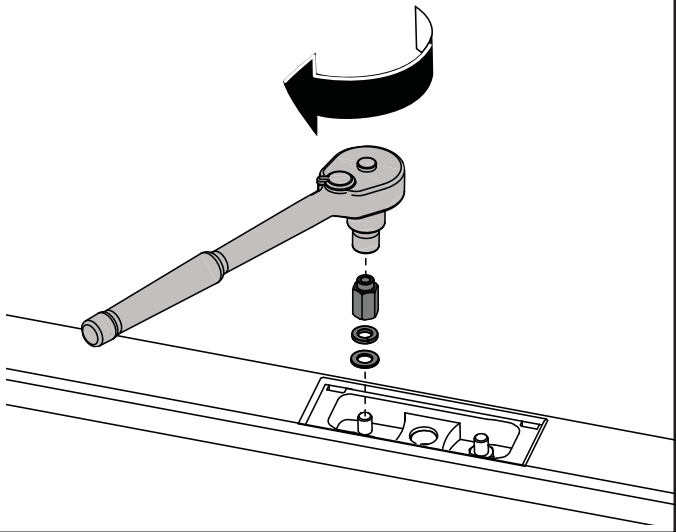
i40 Top View:

Note: i40 Rear mount is a single point and does not use a cover plate.

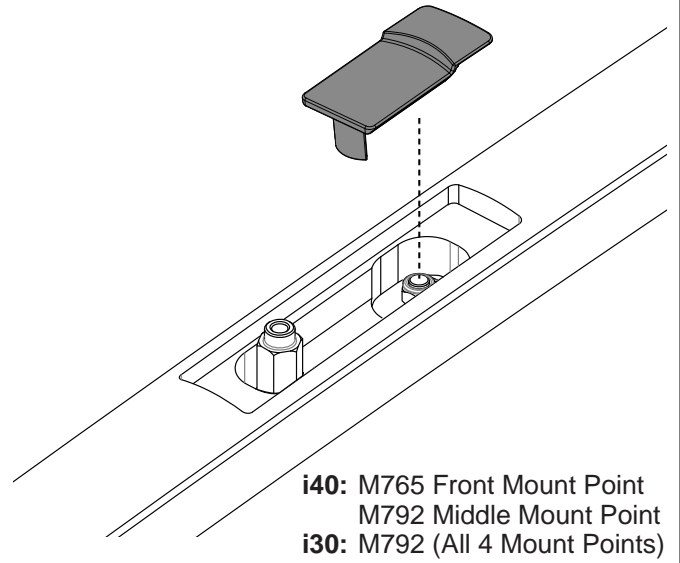


RCP40-BK - Hyundai i30, i40 Tourer

3 Place the Fixed Mount Adapter with the M8 Spring and Flat Washers onto the studs. Tighten with a 1/2" socket wrench to 4-5Nm/ 3-4lb/ft.

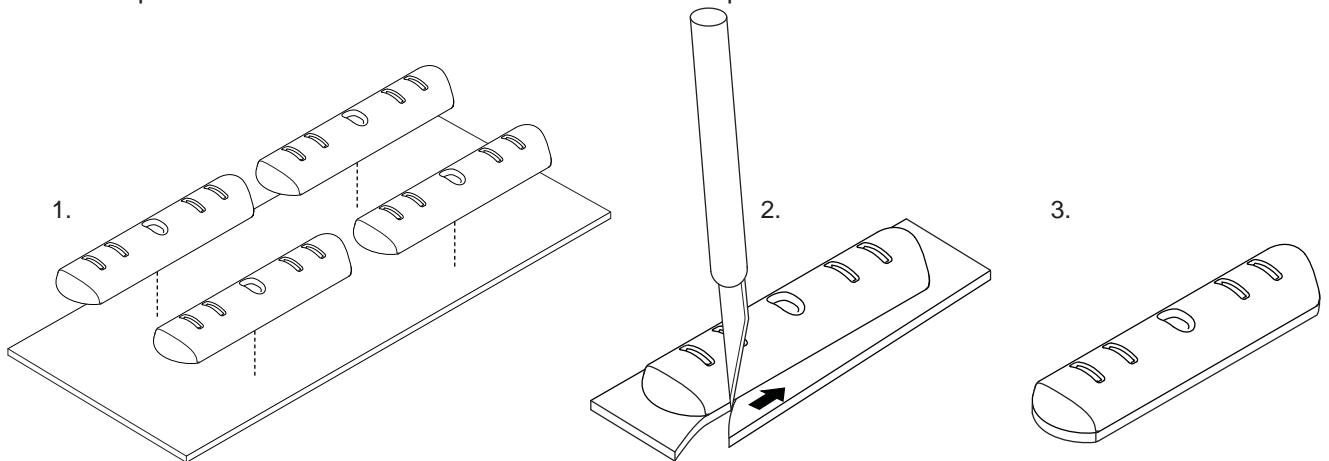


4 Fit the Cover Plates over the Factory Nut ends of the Roof Rail slot.

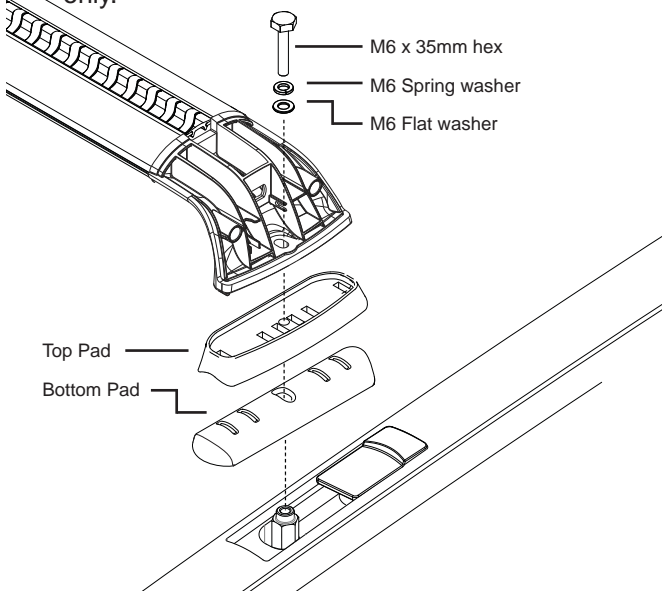


i40: M765 Front Mount Point
M792 Middle Mount Point
i30: M792 (All 4 Mount Points)

5 Peel the backing off the adhesive foam. Stick each base pad onto the foam and trim around the perimeter. Turn the base pad over and then cut a slot to allow the foam to spread over the M8 stud.



6 Fix the Leg Assembly to the M6 thread in the Fixed Mount Adapter. RVL leg shown as example only.



7 When crossbars are not in use, install the cover plates as shown.

