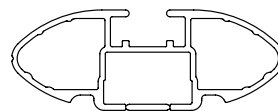




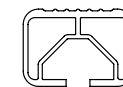
Rhino Rack 2500 Series - DK134/ DK134M instruction

CONTROLLED

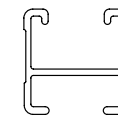
CROSSBAR IDENTIFICATION



VA crossbar



EURO crossbar

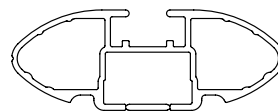


HD crossbar

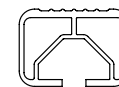
Vehicle	Date	Crossbar	FRONT CROSSBAR						REAR CROSSBAR					
			Front Right Pad/Clamp	Front Left Pad/Clamp	Measurement strip length per side	Measurement strip length per side	Measurement Distance (x)	Foot plate arrow direction	Rear Right Pad/Clamp	Rear Left Pad/Clamp	Measurement strip length per side	Measurement strip length per side	Measurement Distance (x)	Foot plate arrow direction
Holden Commodore VE-VF 4dr Sportwagon	4/08-	1260mm	M565 SUB0407	M564 SUB0407	169mm	56mm	986mm / 38,13/16"	OUT	M567 SUB0408	M566 SUB0408	155mm	42mm	958mm / 37,23/32"	OUT
HSV E Series, GEN-F 4dr Tourer	9/08-		Pad Arrow OUT						Pad Arrow OUT					
Vauxhall VXR8 4dr Tourer	09-		Pad Arrow OUT						Pad Arrow OUT					
Holden Commodore VE-VF 4dr Sedan	8/06-	1260mm	M565 SUB0407	M564 SUB0407	173mm	60mm	994mm / 39,9/64"	OUT	M567 SUB0408	M566 SUB0408	164mm	51mm	976mm / 38,27/64"	OUT
HSV E Series, GEN-F 4dr Sedan	8/06-		Pad Arrow OUT						Pad Arrow OUT					
Vauxhall VXR8 4dr Saloon	07-		Pad Arrow OUT						Pad Arrow OUT					



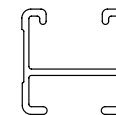
CROSSBAR IDENTIFICATION



VA crossbar



EURO crossbar



HD crossbar

Vehicle	Date	Crossbar	FRONT CROSSBAR						REAR CROSSBAR					
			Front Right Pad/Clamp	Front Left Pad/Clamp	Measurement strip length per side	Measurement strip length per side	Measurement Distance (x)	Foot plate arrow direction	Rear Right Pad/Clamp	Rear Left Pad/Clamp	Measurement strip length per side	Measurement strip length per side	Measurement Distance (x)	Foot plate arrow direction
Chevrolet SS 4dr Sedan	14-	1260mm	M565 SUB0407	M564 SUB0407	173mm	60mm	994mm / 39,9/64"	OUT	M567 SUB0408	M566 SUB0408	164mm	51mm	976mm / 38,27/64"	OUT
			Pad Arrow OUT						Pad Arrow OUT					
Holden Statesman WM 4dr Sedan	8/06-8/10	1260mm	M565 SUB0407	M564 SUB0407	174mm	61mm	996mm / 39,7/32"	OUT	M567 SUB0408	M566 SUB0408	164mm	51mm	976mm / 38,27/64"	OUT
Holden Caprice WM-WN 4dr Sedan	8/06-													
HSV Grange WM, GEN-F 4dr Sedan	5/07-		Pad Arrow OUT						Pad Arrow OUT					
Holden VE-VF, HSV E, GEN-F	8/06-	1260mm	M566 SUB0407	M567 SUB0407	165mm	52mm	978mm / 38,1/2"	OUT	-	-	-	-	-	-
Chevrolet SS	14-		Pad Arrow OUT						-					
Vauxhall VXR8 4dr Sedan Single Crossbar	07-		Pad Arrow OUT						-					



Rhino Rack 2500 Series - DK134/ DK134M instruction

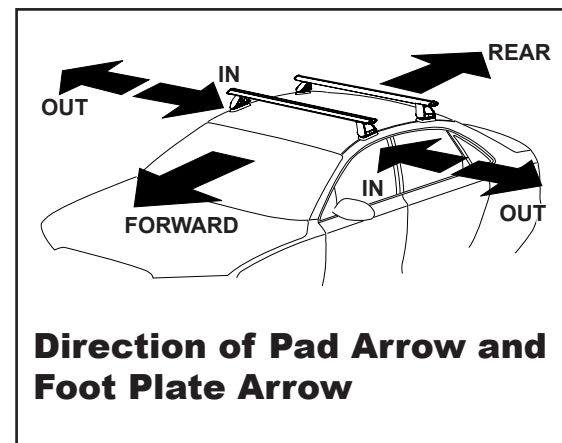
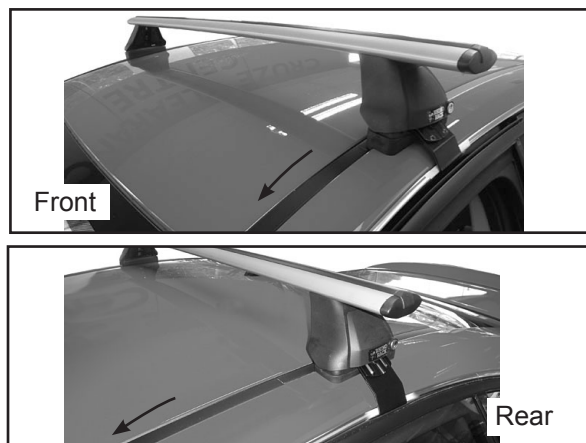
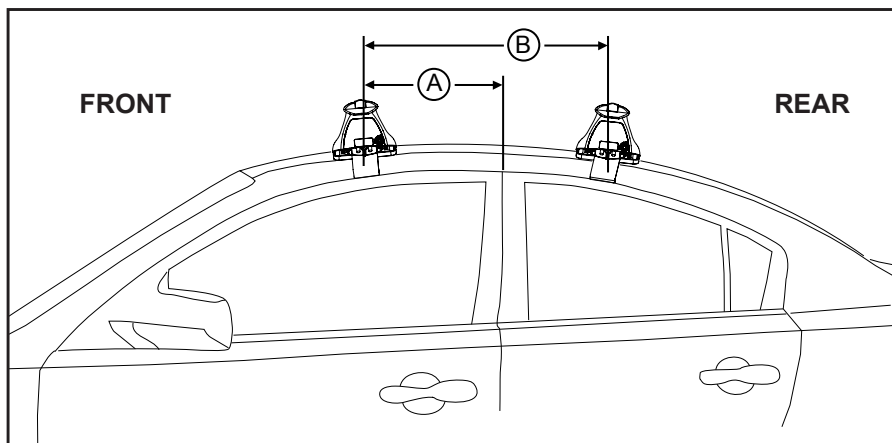
CONTROLLED

Measurement A: CENTRE of door jamb to CENTRE arrow of leg foot plate.

Measurement B: CENTRE of Front leg foot plate arrow to CENTRE of Rear leg foot plate arrow.

Carrying capacity: Roof rack is rated to 75kg. Please refer to manufacturers handbook for your vehicles maximum roof load capacity. Always use the lower of the two figures.

If your vehicle is not listed on this fitting instruction please refer to your countries Rhino-Rack web site for the latest information.



Direction of Pad Arrow and Foot Plate Arrow

VEHICLE	Date	Measurement A	Measurement B	Load Rating (includes racks 5kg/ 11lbs)
Holden Commodore VE-VF 4dr Sportwagon	4/08-	250mm / 9,27/32"	750mm / 29,17/32"	75kg / 165lbs
HSV E Series, GEN-F 4dr Tourer	9/08-			
Vauxhall VXR8 4dr Tourer	09			
Holden Commodore VE-VF 4dr Sedan	8/06-	250mm / 9,27/32"	750mm / 29,17/32"	75kg / 165lbs
HSV E Series, GEN-F 4dr Sedan	8/06-			
Vauxhall VXR8 4dr Saloon	07-			
Chevrolet SS 4dr Sedan	14-			
Holden Statesman WM 4dr Sedan	8/06-8/10	270mm / 10,5/8"	720mm / 28,11/32"	75kg / 165lbs
Holden Caprice WM-WN 4dr Sedan	8/06-			
HSV Grange WM, GEN-F 4dr Sedan	5/07-			



Rhino Rack 2500 Series - DK134/ DK134M instruction

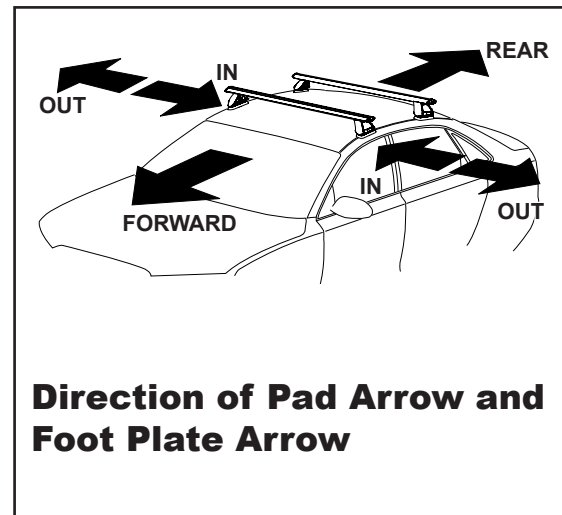
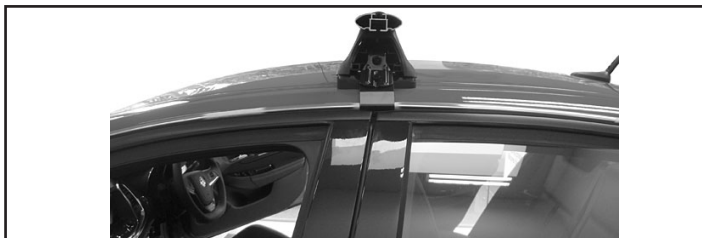
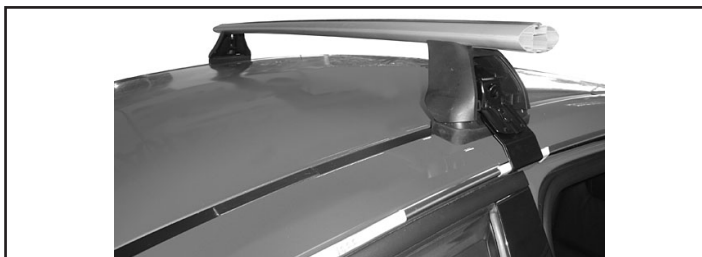
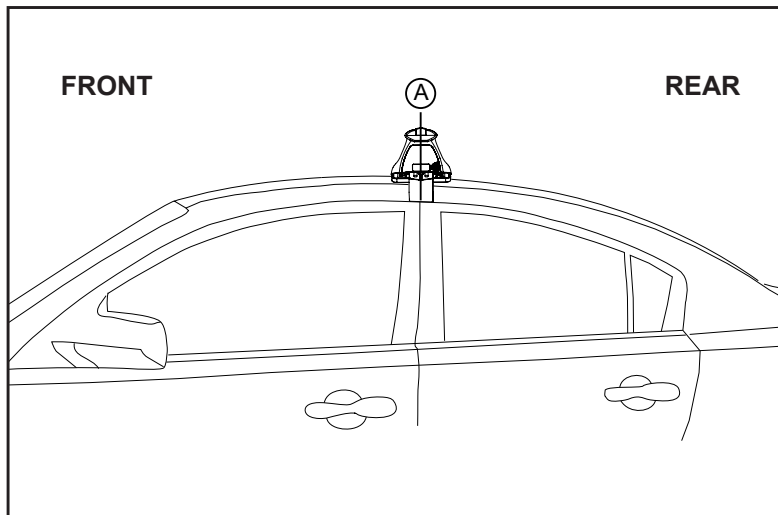
CONTROLLED

Measurement A: CENTRE of door jamb to CENTRE arrow of leg foot plate.

Measurement B: CENTRE of Front leg foot plate arrow to CENTRE of Rear leg foot plate arrow.

Carrying capacity: Roof rack is rated to 75kg. Please refer to manufacturers handbook for your vehicles maximum roof load capacity. Always use the lower of the two figures.

If your vehicle is not listed on this fitting instruction please refer to your countries Rhino-Rack web site for the latest information.



Correct fitting of the Single Crossbar kit DK134M is in line with the door jamb.

VEHICLE	Date	Measurement A	Measurement B	Load Rating (includes racks 5kg/ 11lbs)
Holden Commodore VE-VF 4dr Sedan	8/06-	0mm	-	30kg / 66lbs
HSV E Series, GEN-F 4dr Sedan	8/06-			
Vauxhall VXR8 4dr Saloon	07-			
Chevrolet SS 4dr Sedan	14-			
Holden Statesman WM 4dr Sedan	8/06-8/10			
Holden Caprice WM-WN 4dr Sedan	8/06-			
HSV Grange WM, GEN-F 4dr Sedan	5/07-			