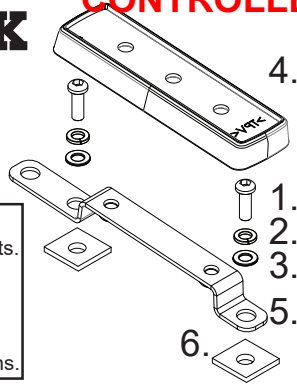




CONTROLLED

QMFK12



- *Note:** RLT600 Parts as separate.
- Locate and clear threaded mount points.
 - Apply Butyl patches concentric with each hole.
 - Locate the hardware through each bracket.
 - Fasten RLT600 base as per instructions.

Item	Component Name	Qty	Part No.
1	M8 x 20mm Button Head Screw	4	B155
2	M8 Spring Washer	4	W019
3	M8 x 17mm Flat Washer	4	W020
4	RLT600 High Skirt	2	M829
5	QMFK12 Quick Mount Bracket	2	CA1603
6	Butyl Patch	4	CA1397
7	Instructions	1	R1009

Please refer to 'Fit My Car' on the Rhino-Rack web site for comprehensive instructions on fitting racks to your vehicle.

Issue: 04

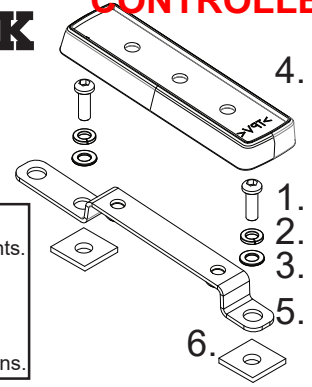
Document No: R1009

Prepared by: Kayle Everett



CONTROLLED

QMFK12



- *Note:** RLT600 Parts as separate.
- Locate and clear threaded mount points.
 - Apply Butyl patches concentric with each hole.
 - Locate the hardware through each bracket.
 - Fasten RLT600 base as per instructions.

Item	Component Name	Qty	Part No.
1	M8 x 20mm Button Head Screw	4	B155
2	M8 Spring Washer	4	W019
3	M8 x 17mm Flat Washer	4	W020
4	RLT600 High Skirt	2	M829
5	QMFK12 Quick Mount Bracket	2	CA1603
6	Butyl Patch	4	CA1397
7	Instructions	1	R1009

Please refer to 'Fit My Car' on the Rhino-Rack web site for comprehensive instructions on fitting racks to your vehicle.

Issue: 04

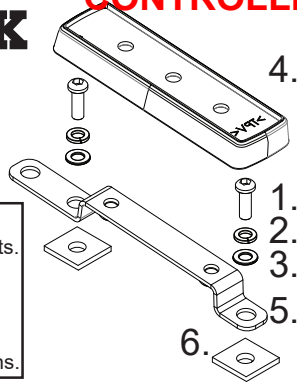
Document No: R1009

Prepared by: Kayle Everett



CONTROLLED

QMFK12



- *Note:** RLT600 Parts as separate.
- Locate and clear threaded mount points.
 - Apply Butyl patches concentric with each hole.
 - Locate the hardware through each bracket.
 - Fasten RLT600 base as per instructions.

Item	Component Name	Qty	Part No.
1	M8 x 20mm Button Head Screw	4	B155
2	M8 Spring Washer	4	W019
3	M8 x 17mm Flat Washer	4	W020
4	RLT600 High Skirt	2	M829
5	QMFK12 Quick Mount Bracket	2	CA1603
6	Butyl Patch	4	CA1397
7	Instructions	1	R1009

Please refer to 'Fit My Car' on the Rhino-Rack web site for comprehensive instructions on fitting racks to your vehicle.

Issue: 04

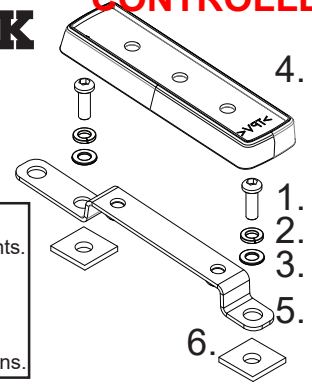
Document No: R1009

Prepared by: Kayle Everett



CONTROLLED

QMFK12



- *Note:** RLT600 Parts as separate.
- Locate and clear threaded mount points.
 - Apply Butyl patches concentric with each hole.
 - Locate the hardware through each bracket.
 - Fasten RLT600 base as per instructions.

Item	Component Name	Qty	Part No.
1	M8 x 20mm Button Head Screw	4	B155
2	M8 Spring Washer	4	W019
3	M8 x 17mm Flat Washer	4	W020
4	RLT600 High Skirt	2	M829
5	QMFK12 Quick Mount Bracket	2	CA1603
6	Butyl Patch	4	CA1397
7	Instructions	1	R1009

Please refer to 'Fit My Car' on the Rhino-Rack web site for comprehensive instructions on fitting racks to your vehicle.

Issue: 04

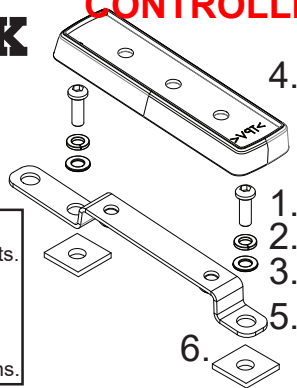
Document No: R1009

Prepared by: Kayle Everett



CONTROLLED

QMFK12



- *Note:** RLT600 Parts as separate.
- Locate and clear threaded mount points.
 - Apply Butyl patches concentric with each hole.
 - Locate the hardware through each bracket.
 - Fasten RLT600 base as per instructions.

Item	Component Name	Qty	Part No.
1	M8 x 20mm Button Head Screw	4	B155
2	M8 Spring Washer	4	W019
3	M8 x 17mm Flat Washer	4	W020
4	RLT600 High Skirt	2	M829
5	QMFK12 Quick Mount Bracket	2	CA1603
6	Butyl Patch	4	CA1397
7	Instructions	1	R1009

Please refer to 'Fit My Car' on the Rhino-Rack web site for comprehensive instructions on fitting racks to your vehicle.

Issue: 04

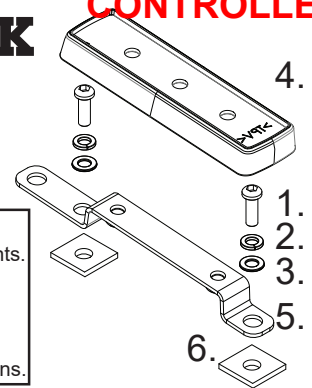
Document No: R1009

Prepared by: Kayle Everett



CONTROLLED

QMFK12



- *Note:** RLT600 Parts as separate.
- Locate and clear threaded mount points.
 - Apply Butyl patches concentric with each hole.
 - Locate the hardware through each bracket.
 - Fasten RLT600 base as per instructions.

Item	Component Name	Qty	Part No.
1	M8 x 20mm Button Head Screw	4	B155
2	M8 Spring Washer	4	W019
3	M8 x 17mm Flat Washer	4	W020
4	RLT600 High Skirt	2	M829
5	QMFK12 Quick Mount Bracket	2	CA1603
6	Butyl Patch	4	CA1397
7	Instructions	1	R1009

Please refer to 'Fit My Car' on the Rhino-Rack web site for comprehensive instructions on fitting racks to your vehicle.

Issue: 04

Document No: R1009

Prepared by: Kayle Everett