



RHINO-RACK®

Stow-it Starter Kit

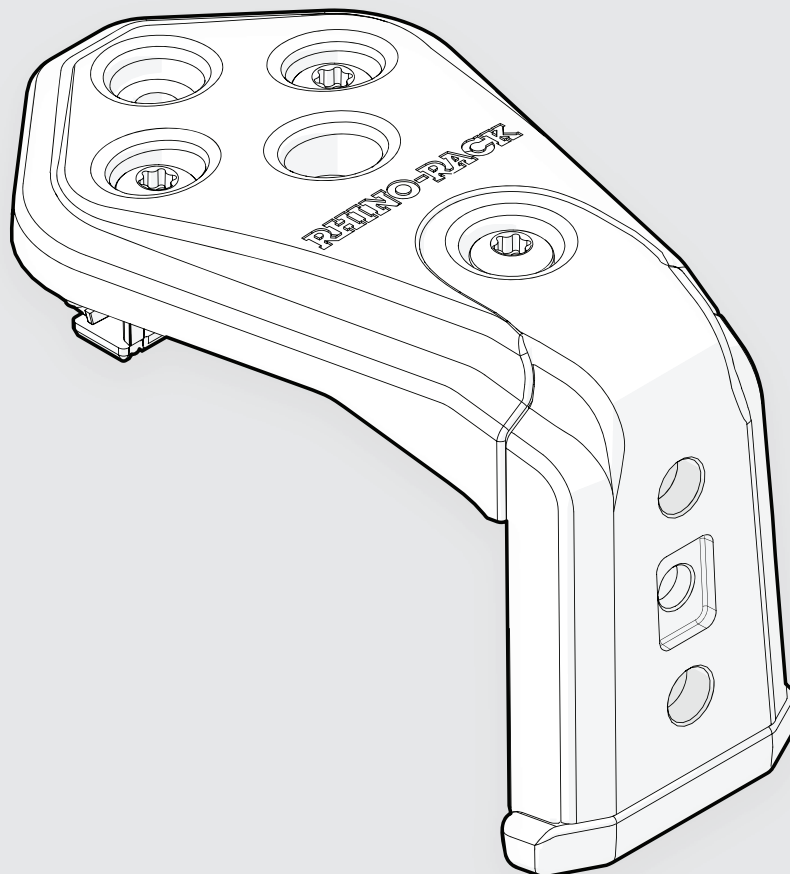
SSIT

Important:

1. Check the Rhino-Rack website to ensure you have the latest issue of these instructions.
2. Please refer to your fitting instruction to ensure that the roof racks are installed in the correct locations.
3. Check the contents of kit before commencing fitment and report any discrepancies.
4. Place these instructions in the vehicle's glove box after installation is complete.
5. These instructions must be followed for warranty to be upheld.

Fit Time: 30 mins

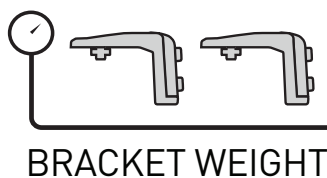
STOW IT™



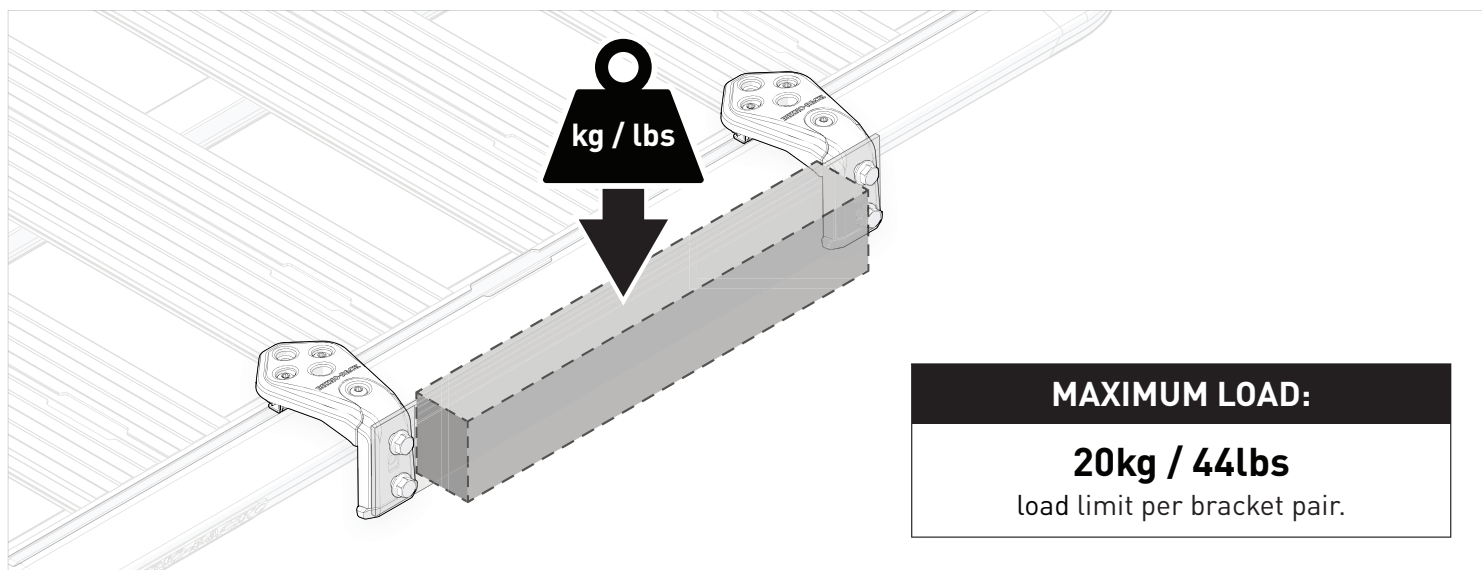
Carrying Capacity

The maximum permissible cargo capacity on a pair of Brackets is **20kg/44lbs**.

*Check the vehicle owners hand book for your vehicle manufacturer's maximum carrying capacity. Do not exceed the vehicle manufacturer's maximum roof carrying capacity. The weight of the roof racks, that the accessory is attached to, must also be included in the total vehicle roof load.



**1kg / 2.2lbs
PER PAIR**



Warning

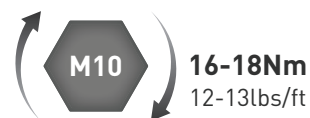
- Check part number or kit is correct for use with your vehicle.
- Do not attempt to fit the bed rack system to your vehicle unless you fully understand these fitting instructions. Please direct any questions regarding fitting to the dealer from where the roof racks were purchased.
- Off-road conditions can be much more rigorous. Extreme care must be taken on any driven path that does not contain a surface protection layer (tar/bitumen).
- Bed racks must be removed when vehicle is put through an automatic car wash.
- With utility/pick up vehicles, the cabin and the truck bed move independently. Bed racks and vehicle can be damaged if the item transported is rigidly fixed at points on both the cabin and truck bed. Instead, rigidly fix to either the bed racks or the canopy roof racks.
- Always ensure you fasten your load securely.
- Use only non-stretch fastening ropes or straps to attach cargo to your load.

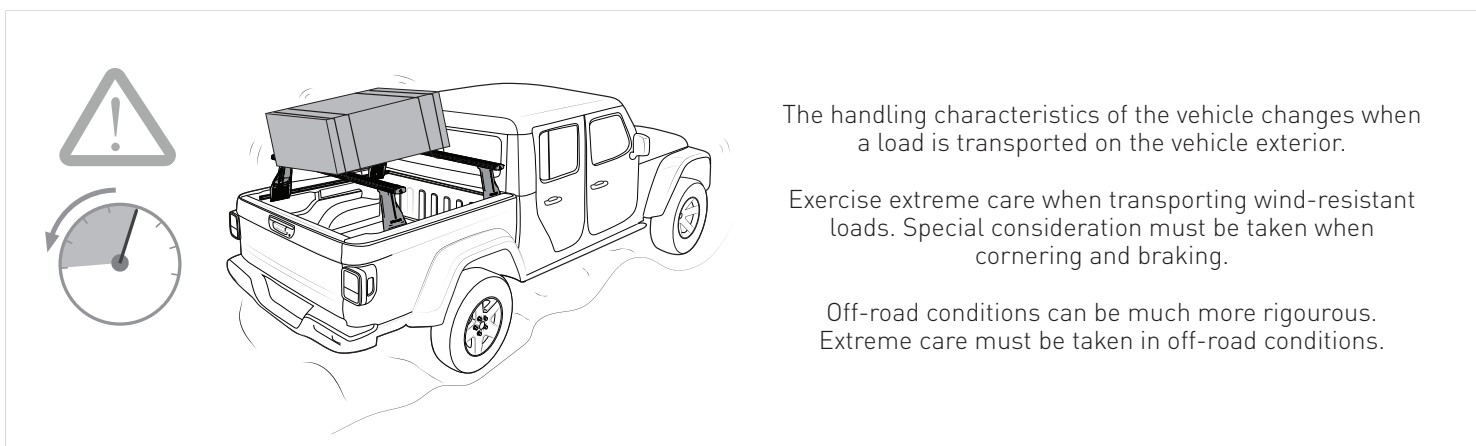
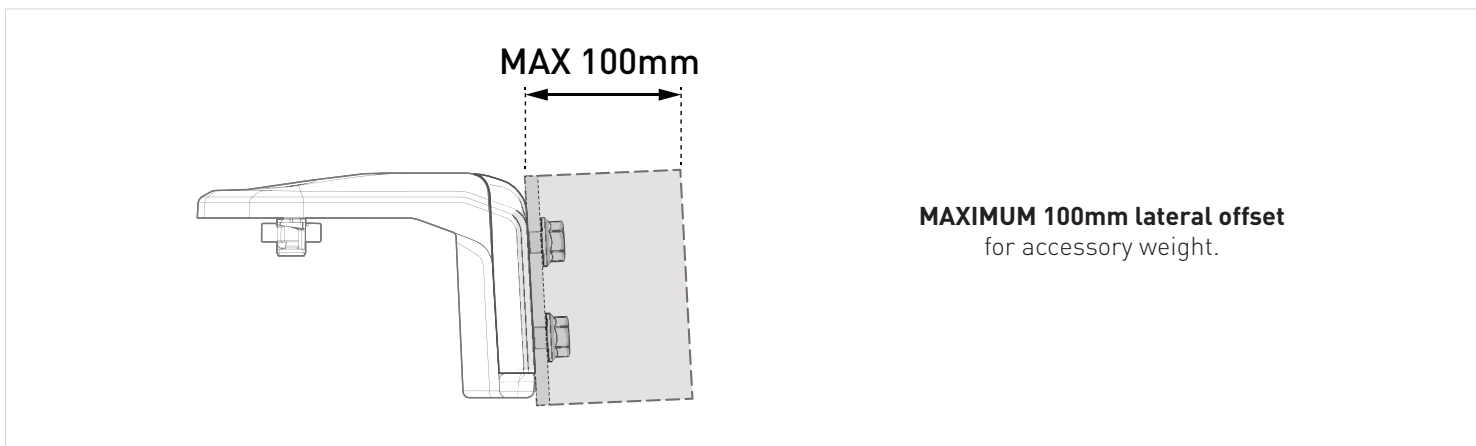
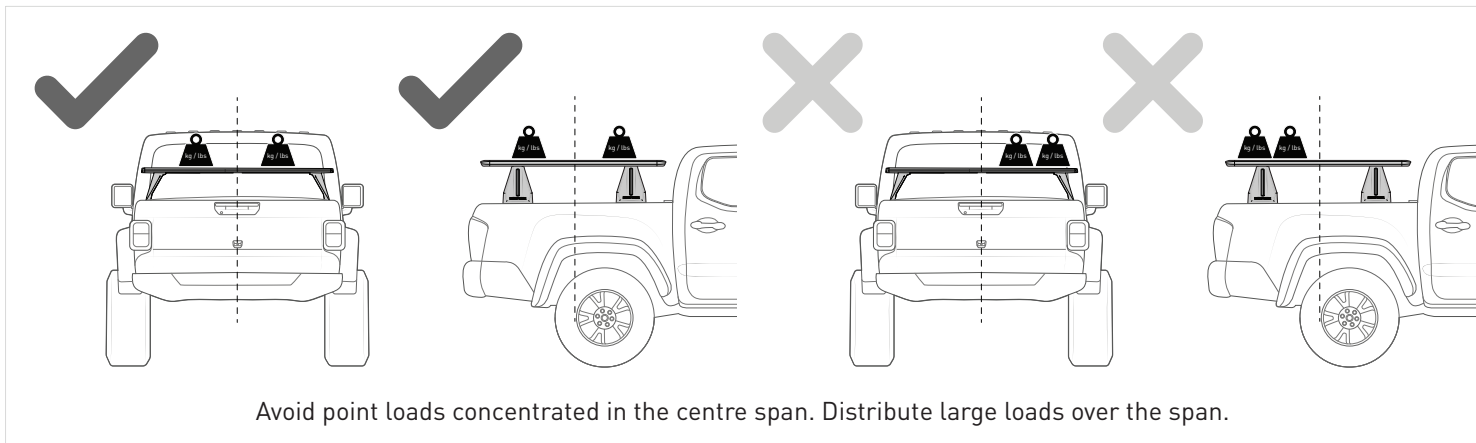
In service maintenance checks

- All bolt connections should be checked after driving a short distance when you first install your roof racks.
- All bolted connections should be checked again at regular intervals (weekly is recommended, depending on road conditions, usage, loads and distances travelled).
- All bolted connections should be checked each time they are re-fitted.
- Off-road conditions are more rigorous. Check all bolted connections and your load more regularly.
- Ensure that your vehicle manufacturer's GVM, and gross axle weights are not exceeded (refer to vehicle owner's manual).

Torque Settings:

Unless stated otherwise in these instructions, all fasteners should be set to the following torque settings:



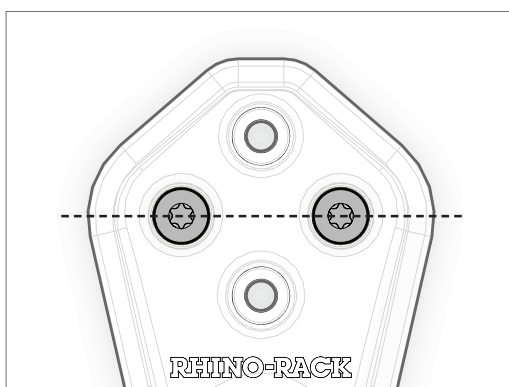


Note for Dealers and Fitters

It is your responsibility to ensure these fitting instructions are given to the end user or client. These instructions remain the property of Rhino-Rack Australia Pty. Ltd. and may not be used or changed for any other purpose than intended.

Crossbar Mounting Options.

TRANSVERSE POSITION

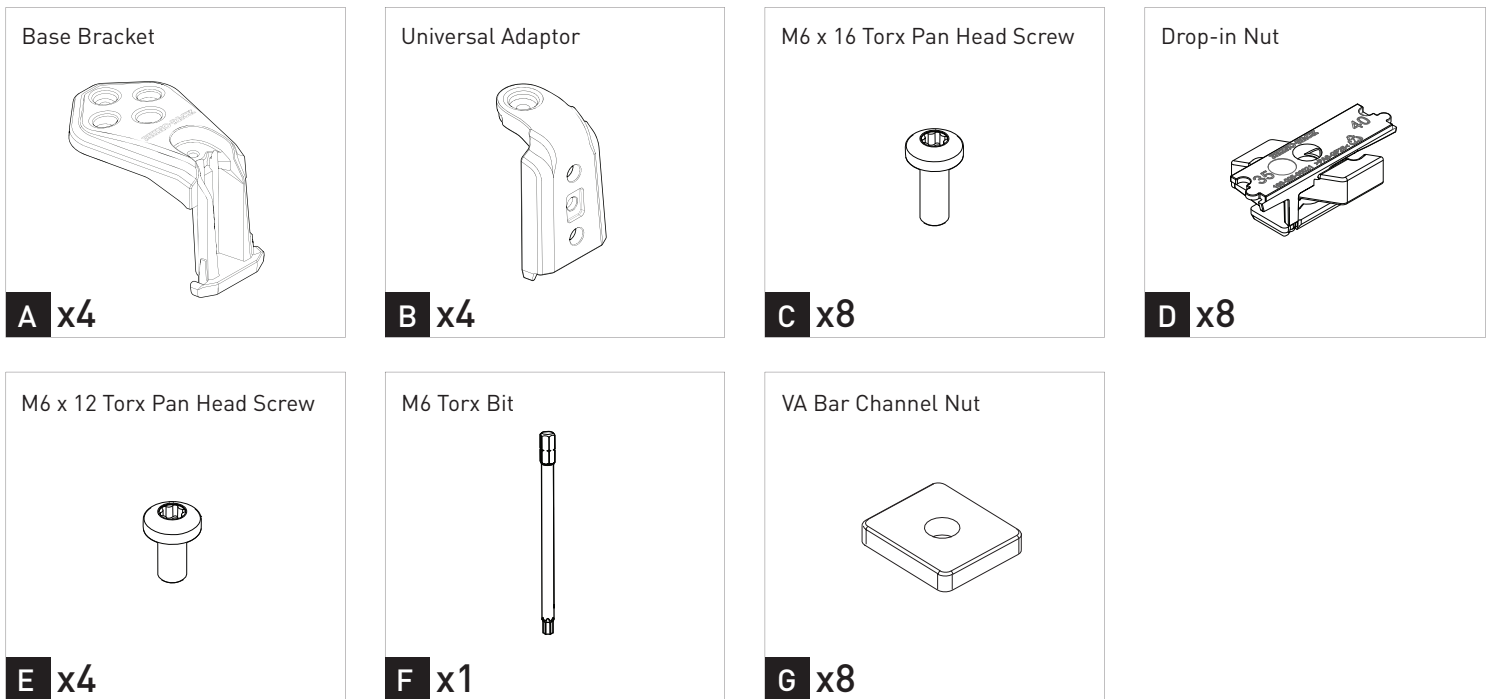


IN-LINE POSITION



Note: In-line option applies to RD bars and VA bars

Parts List



TOOLS REQUIRED:

T1 - Torque Tool (Supplied with 5XXXX Series Pioneer Platform)

T2 - Socket Set

T3 - Scissors (For VA bars)

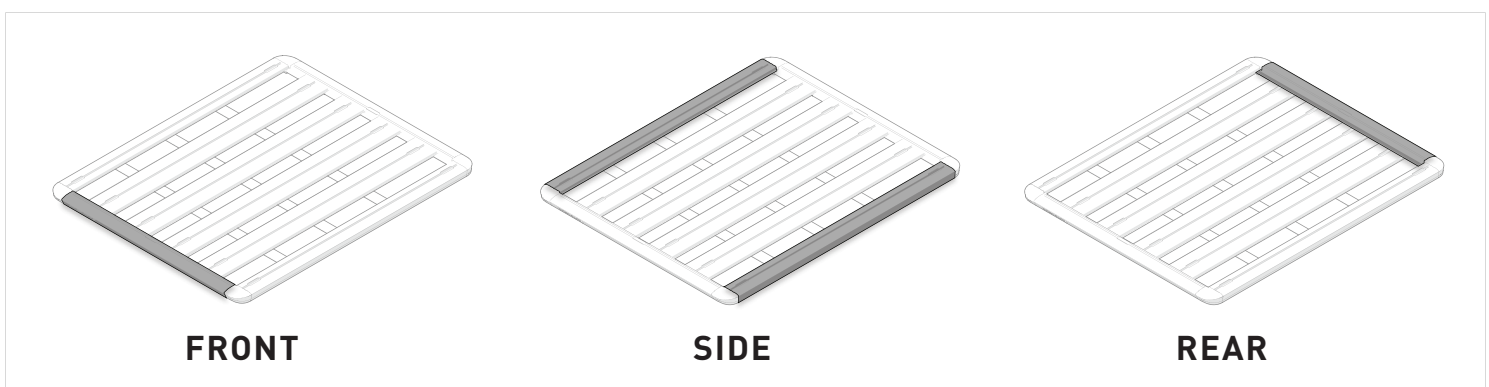
CONTENTS:

For installation onto **Pioneer Platforms** and **Reconn Deck Bars**

complete Steps **1** - **3** and **8** - **12**

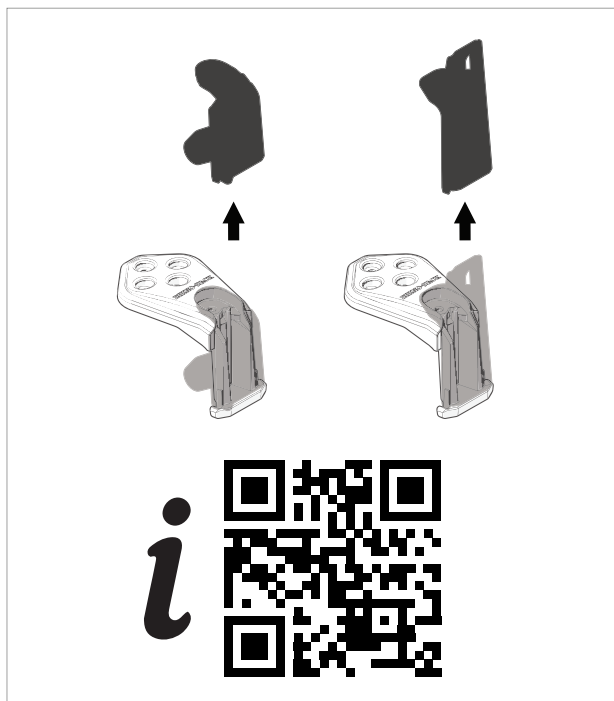
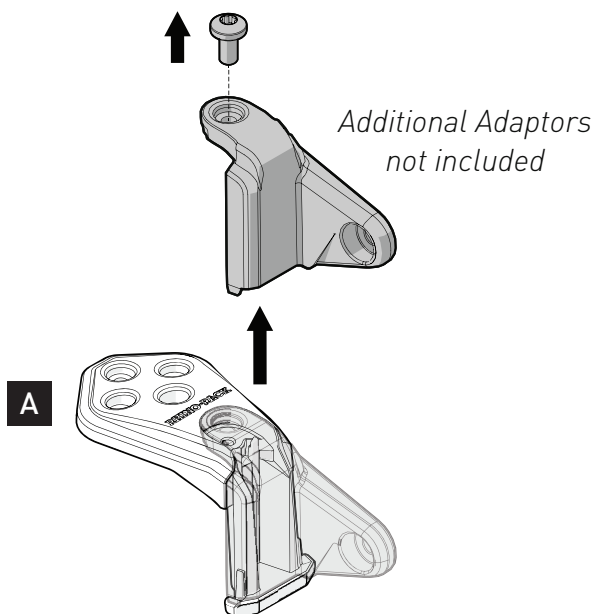
For installation onto **Vortex Bars**, complete Steps **4** - **13**

PLATFORM PLACEMENT OPTIONS:



NOTE

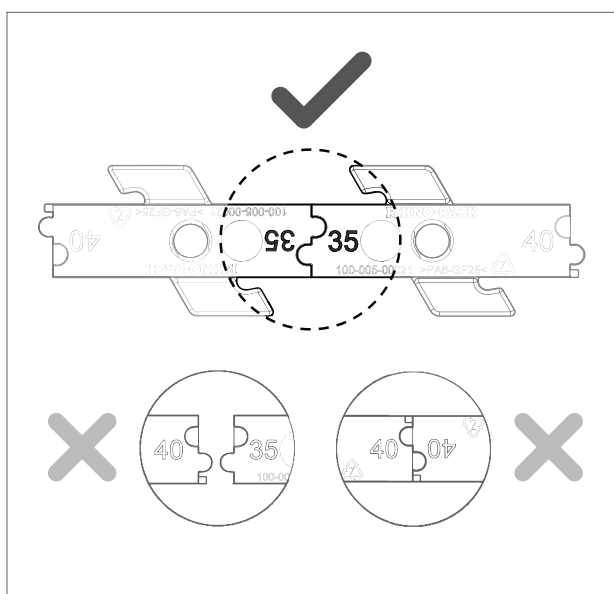
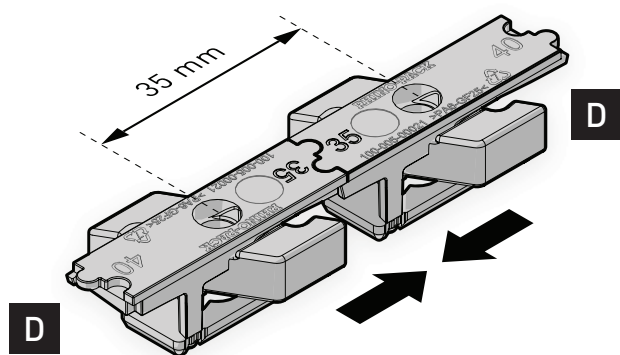
Remove previous adapter if installed.



FOR INSTALLATION ONTO PLATFORMS / RECONN DECK BARS

(For Crossbars, skip to Step 4)

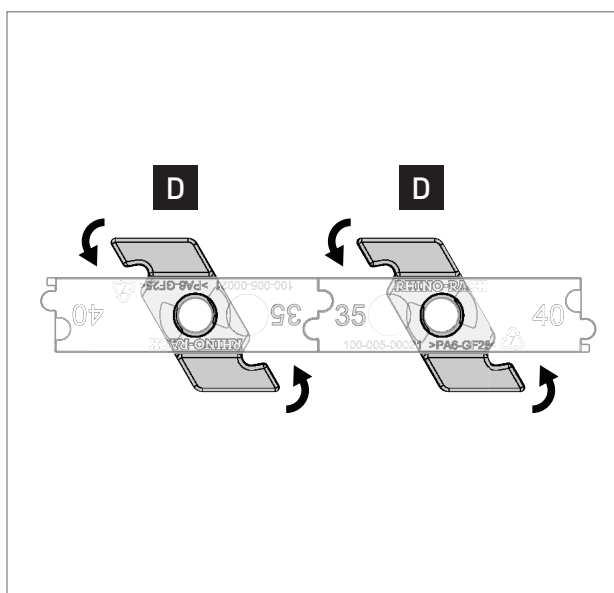
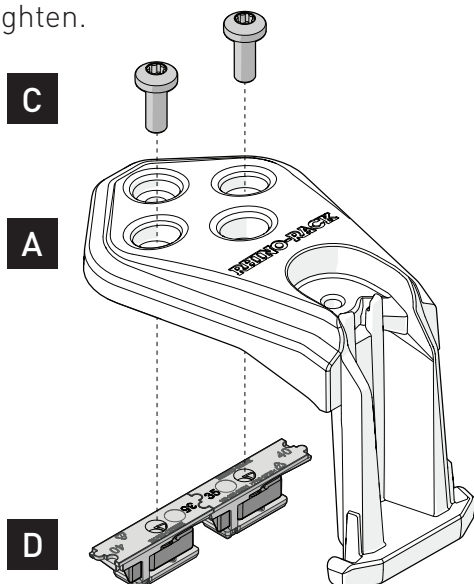
1



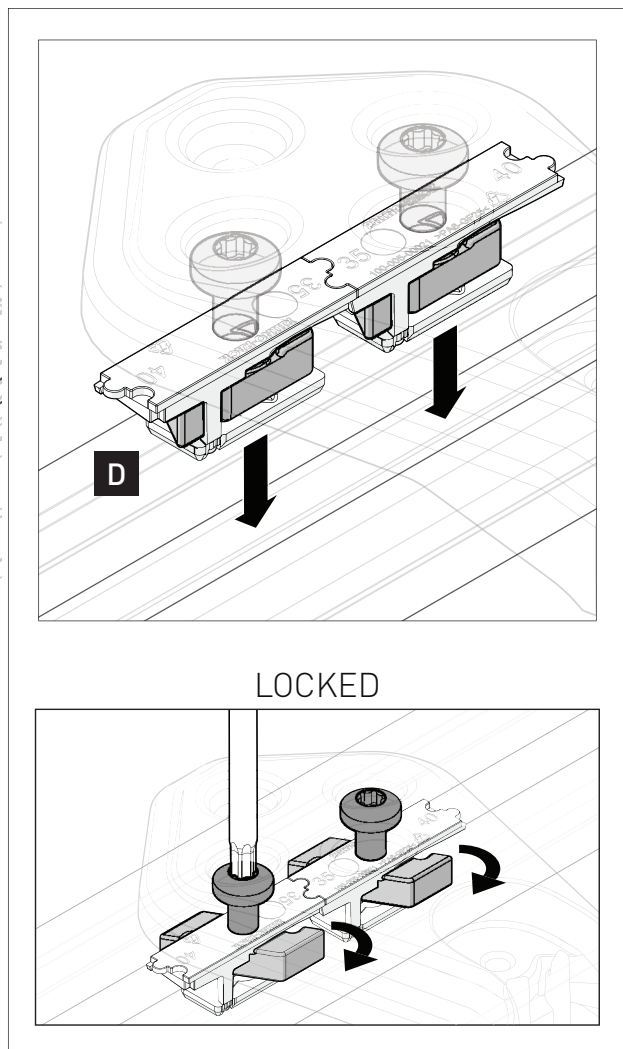
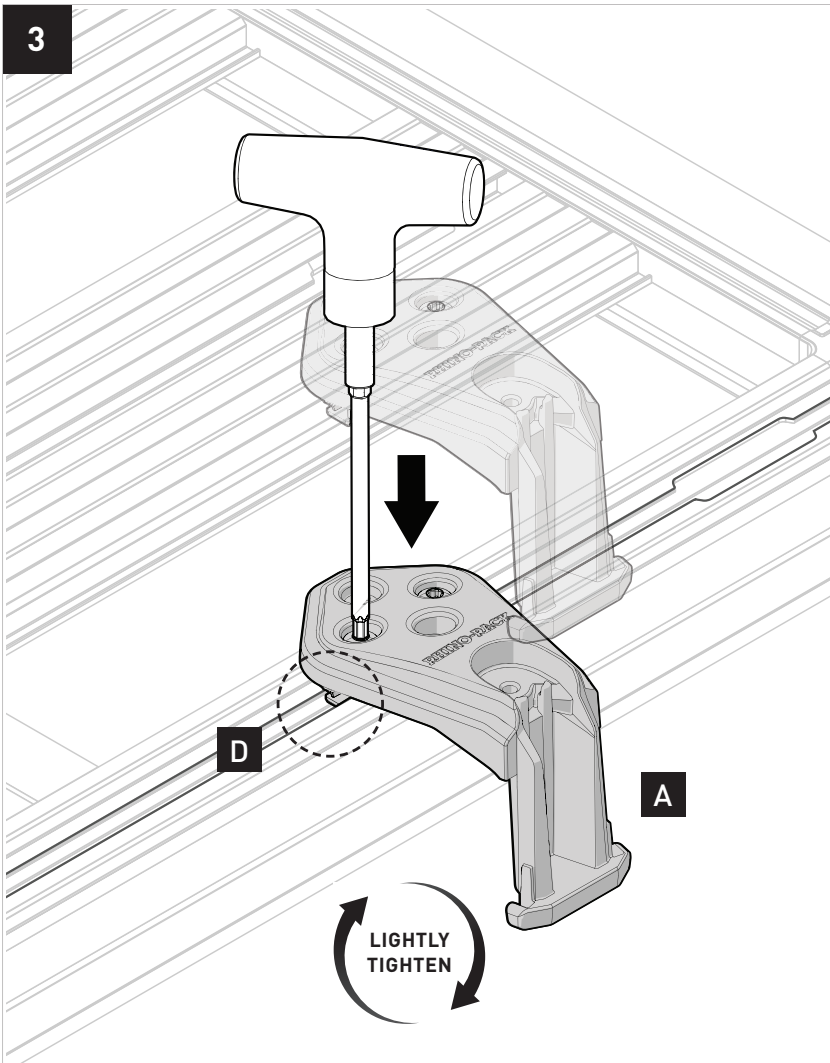
NOTE: Joining the 35 - 35 sides will create 35mm spacing between the two centres.

2

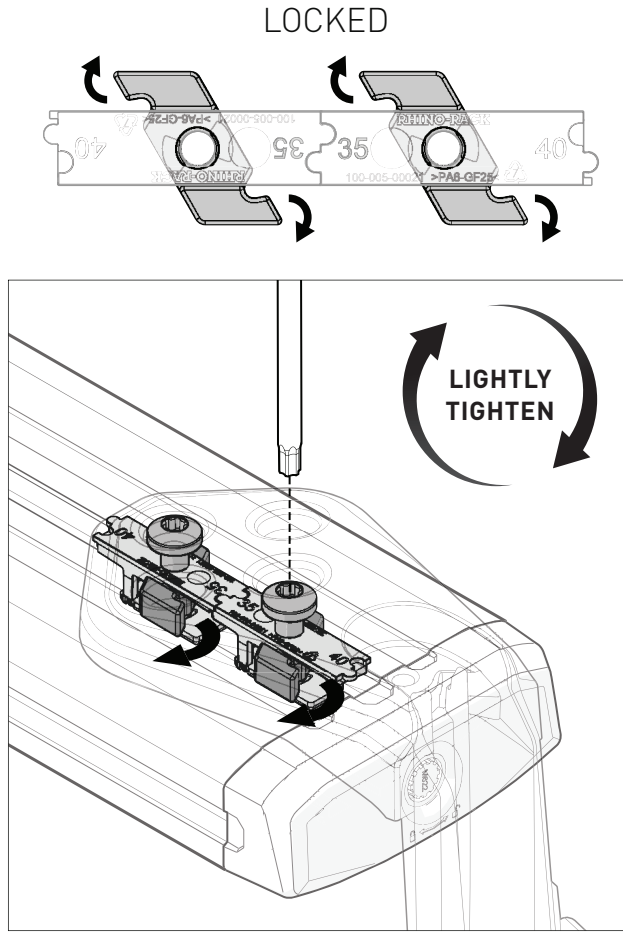
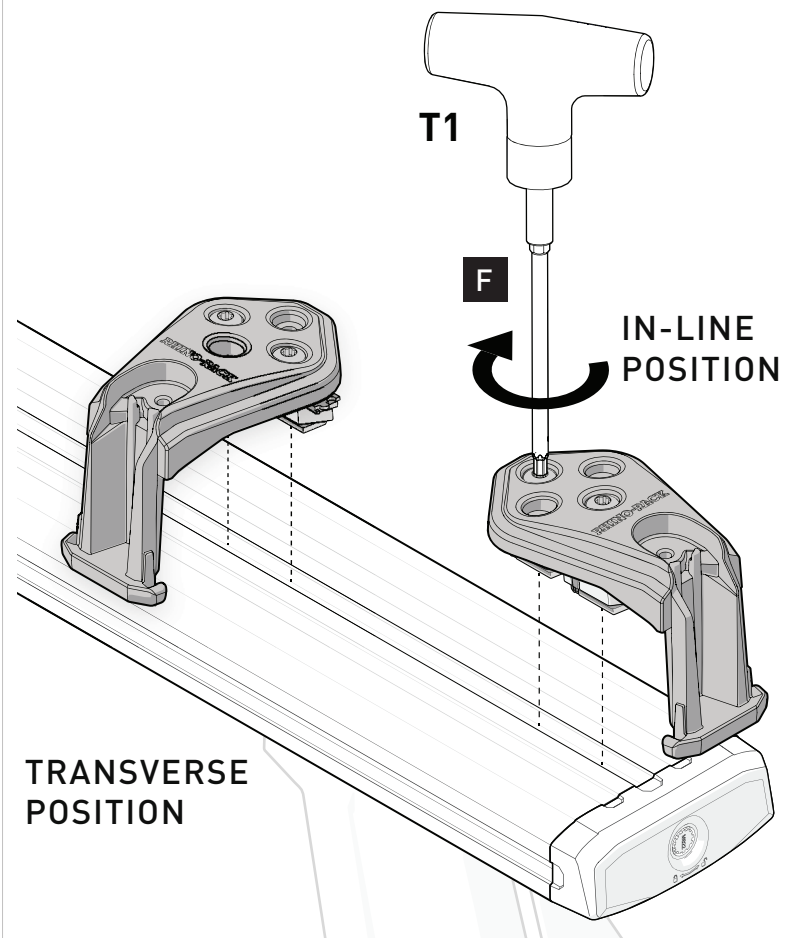
Finger tighten.



3

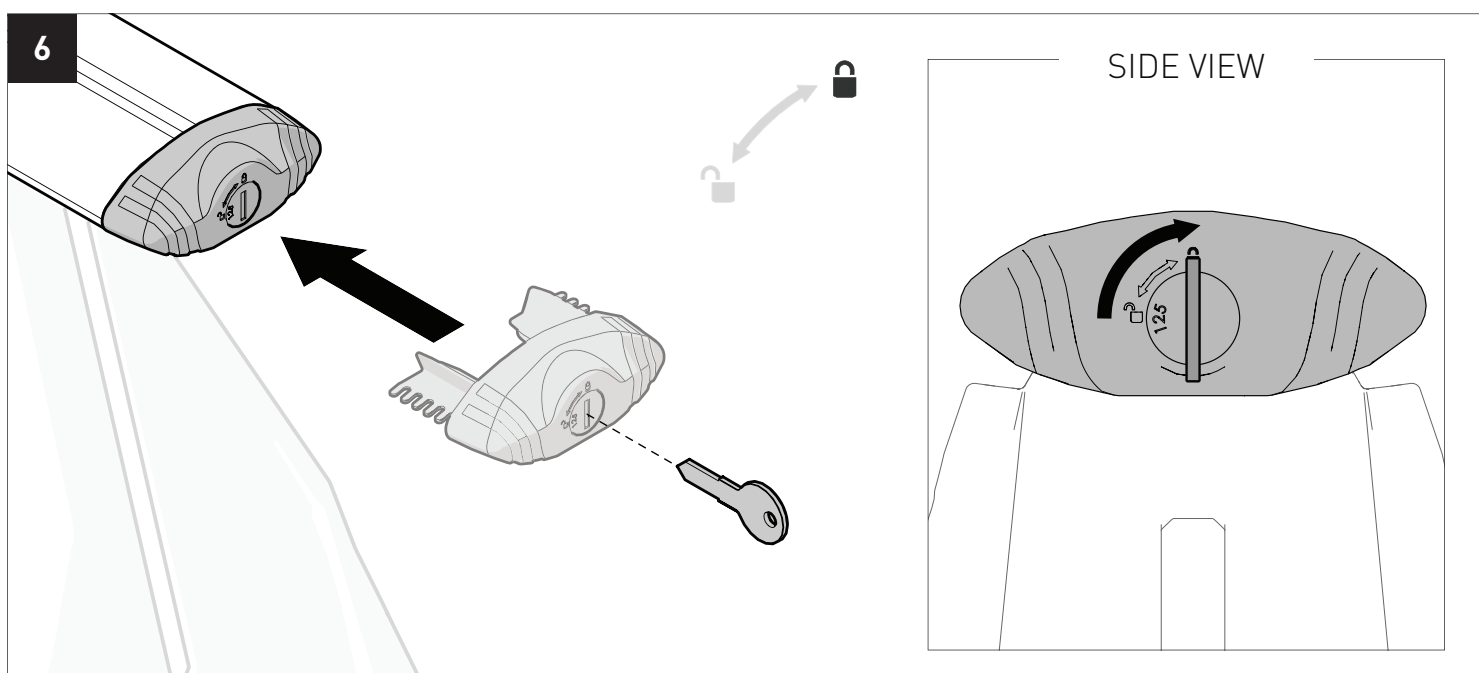
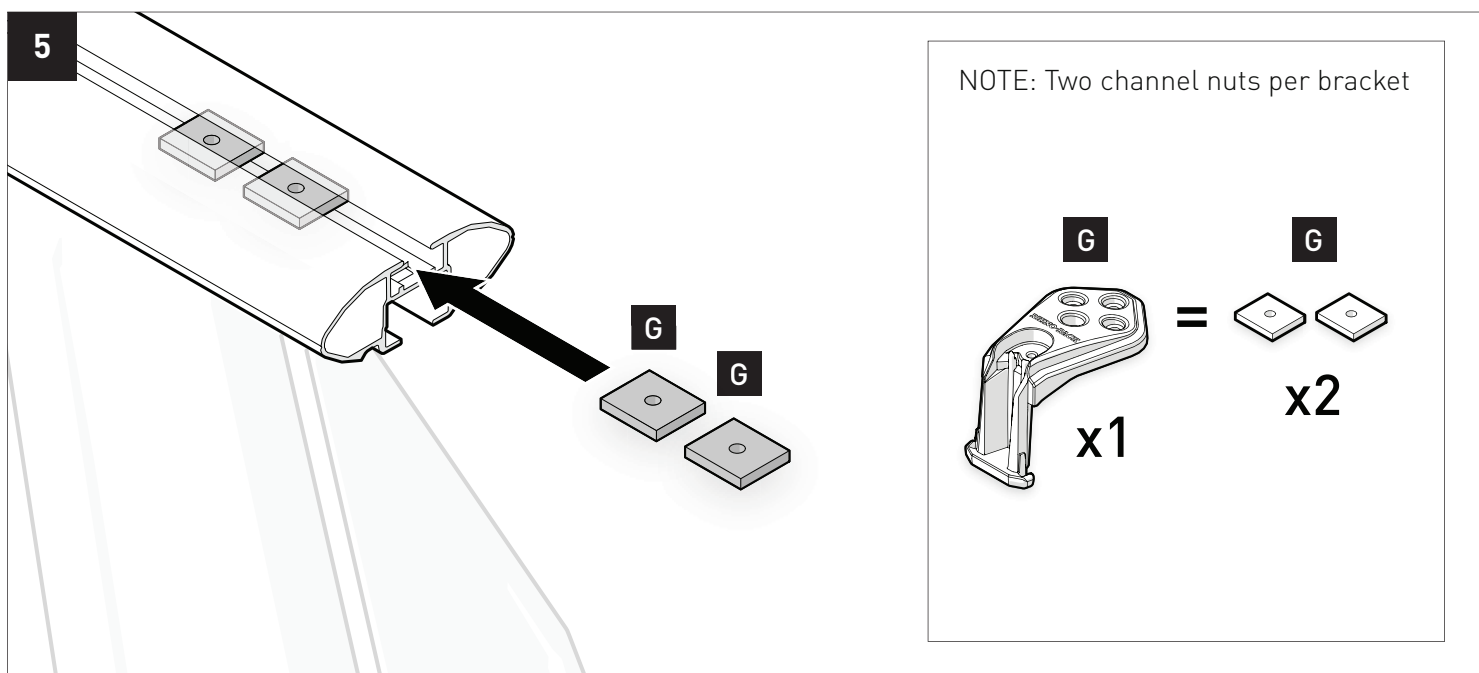
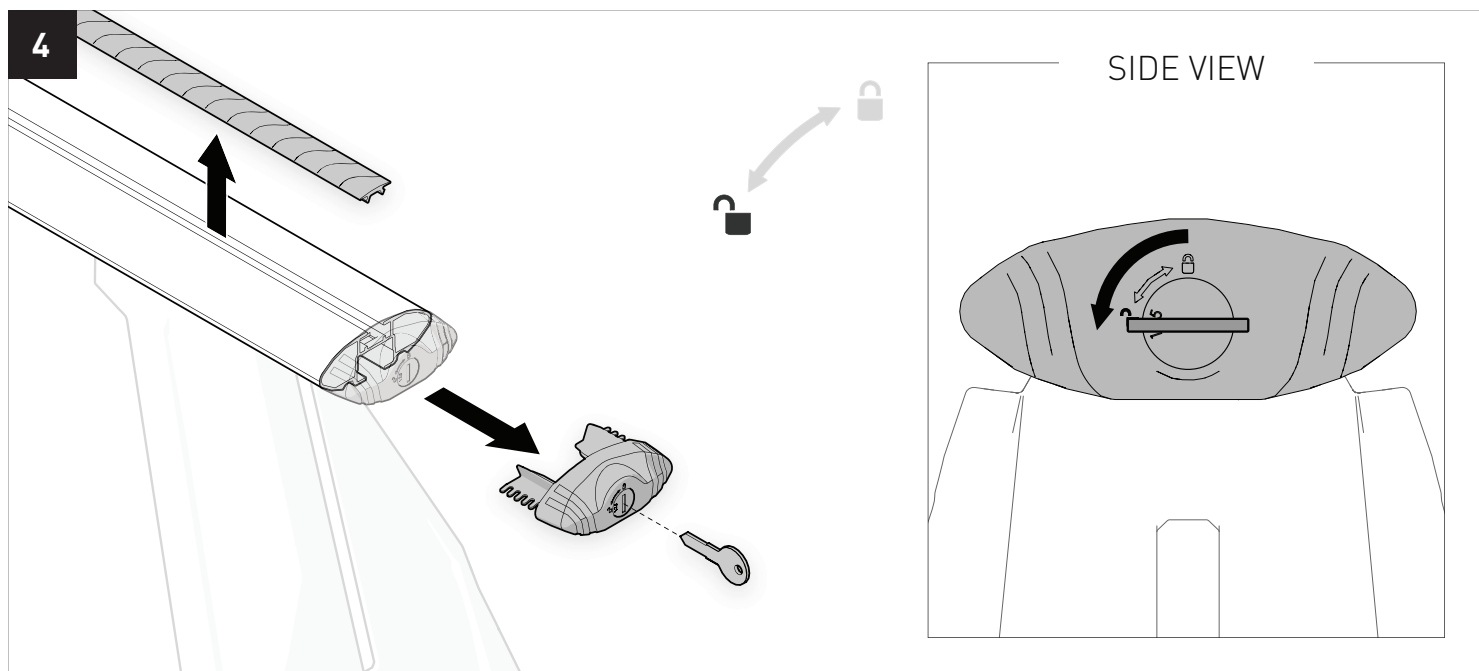


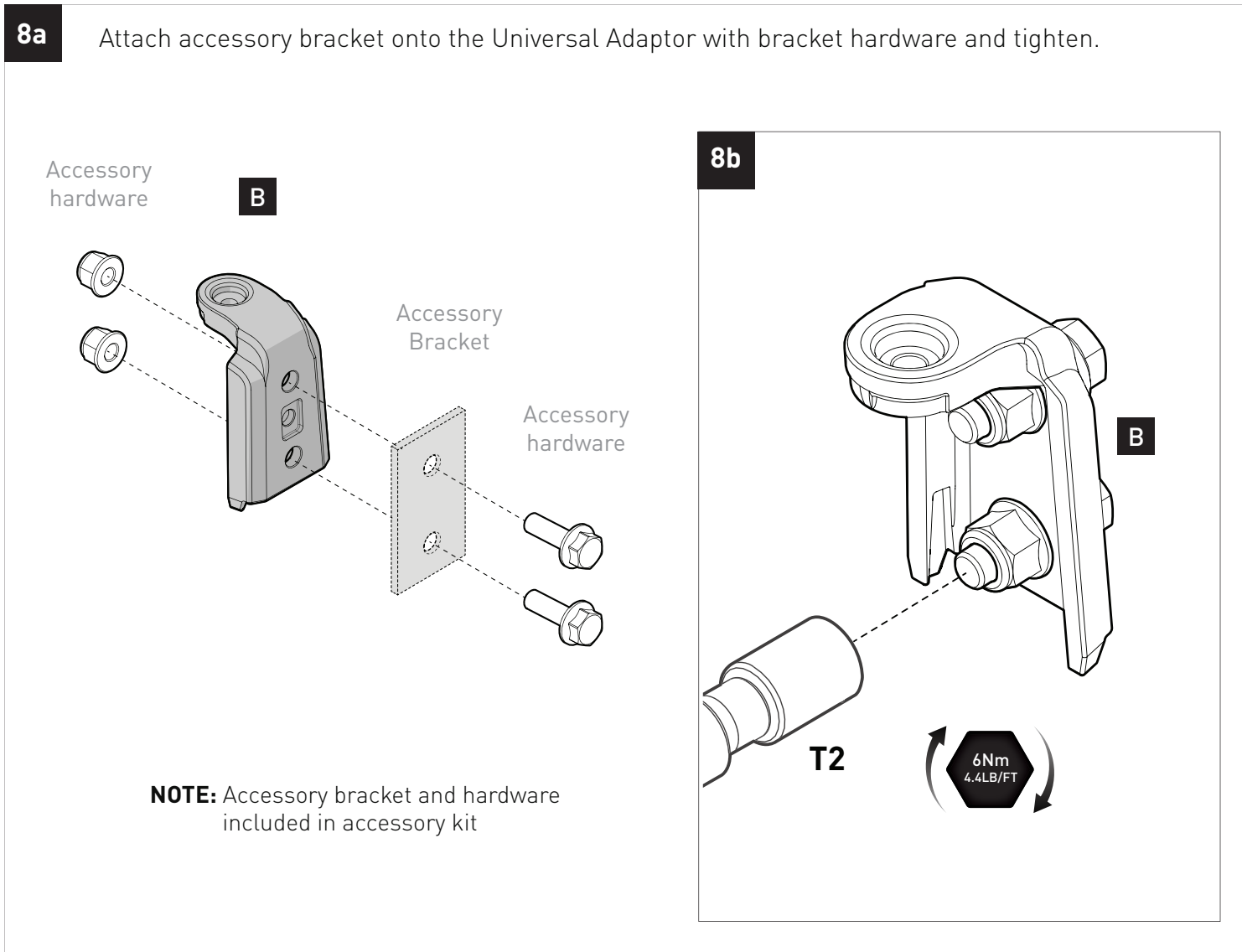
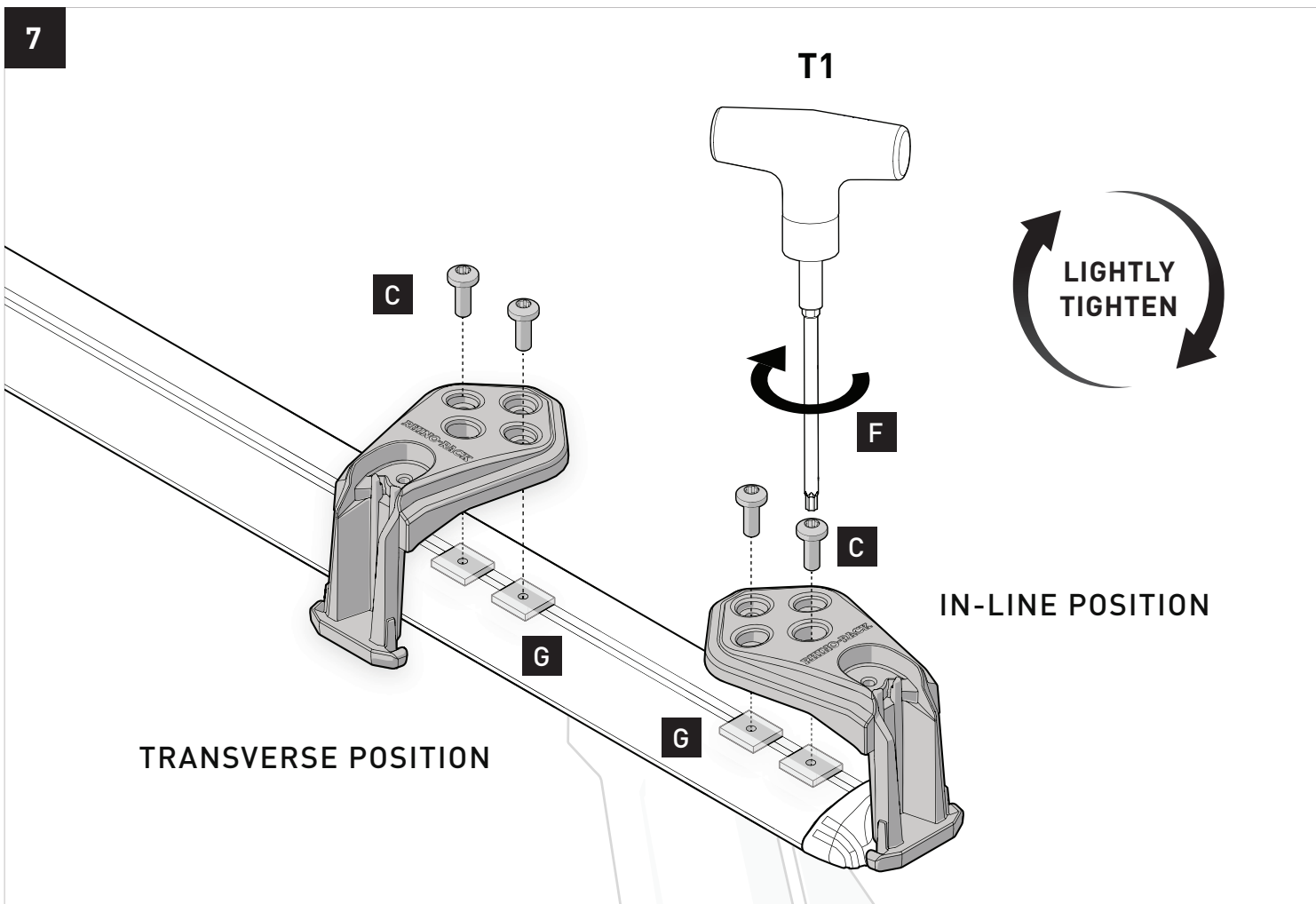
FOR RECONN DECK BAR INSTALLATION (Refer to pg 3 for placement options)



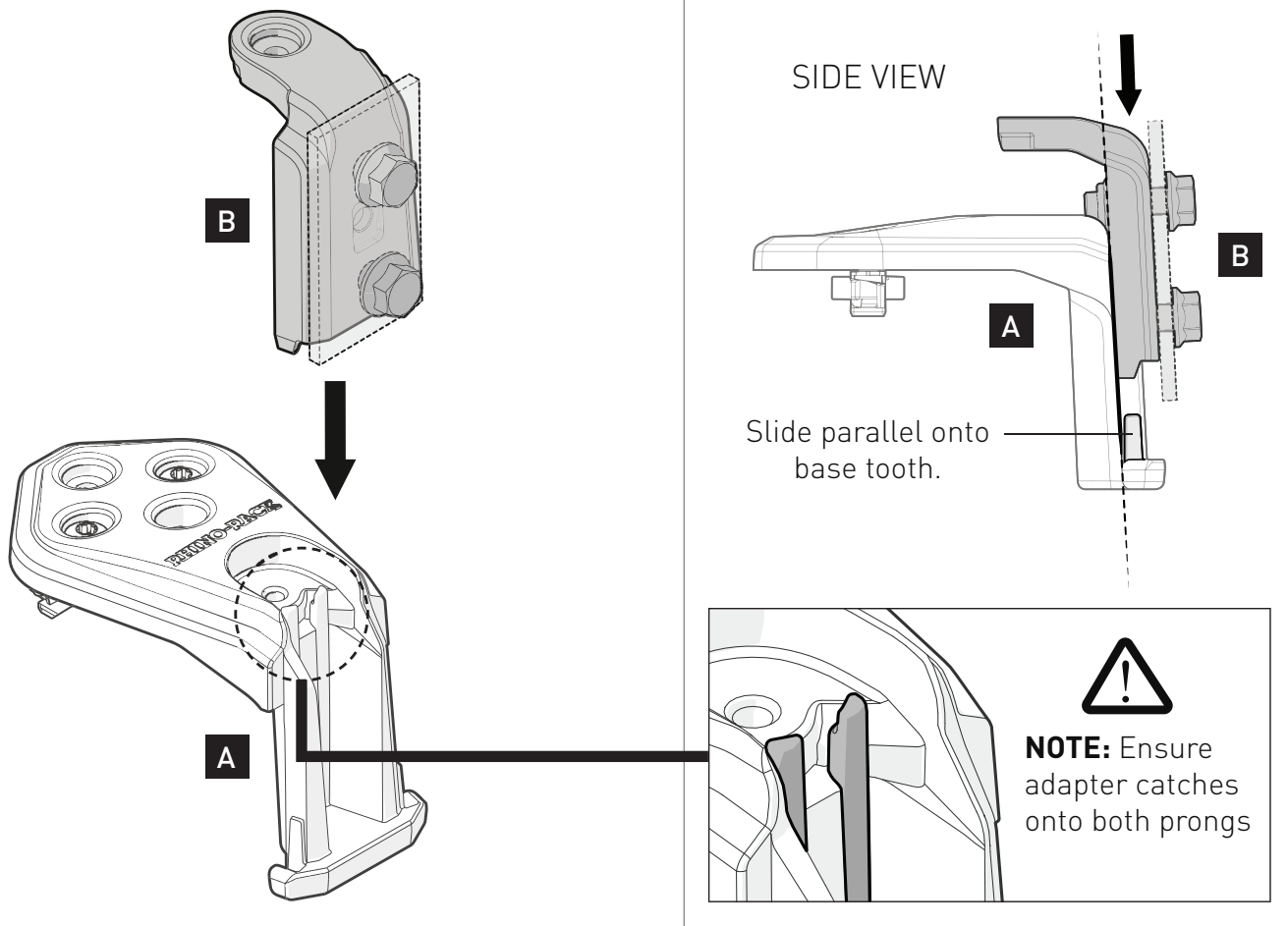
FOR INSTALLATION TO VORTEX BARS

(For Pioneer Platforms, Reconn Deck and NS Bars, skip to Step 8)

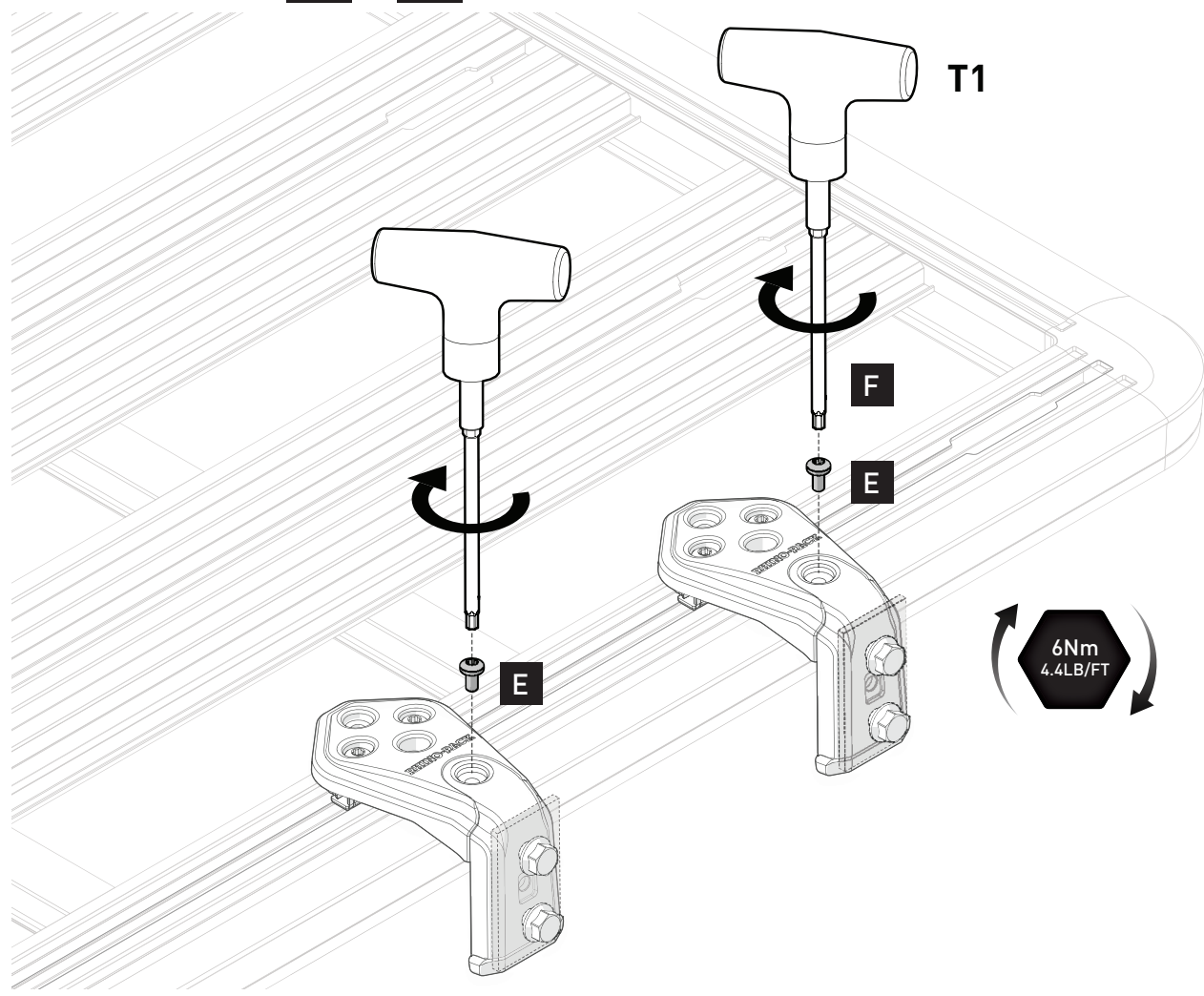




9

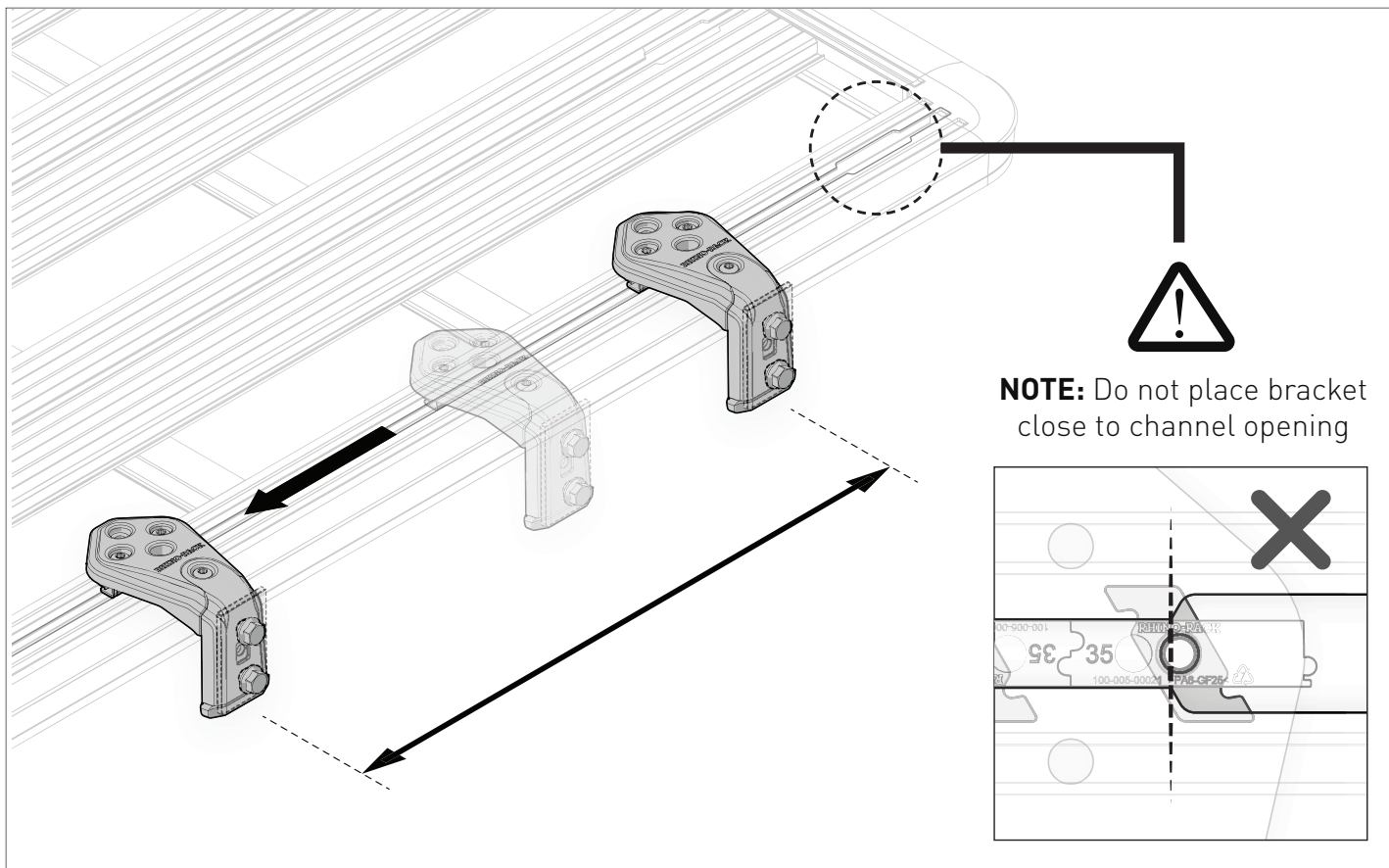


10 Repeat Steps **1** to **10** for additional brackets as required.

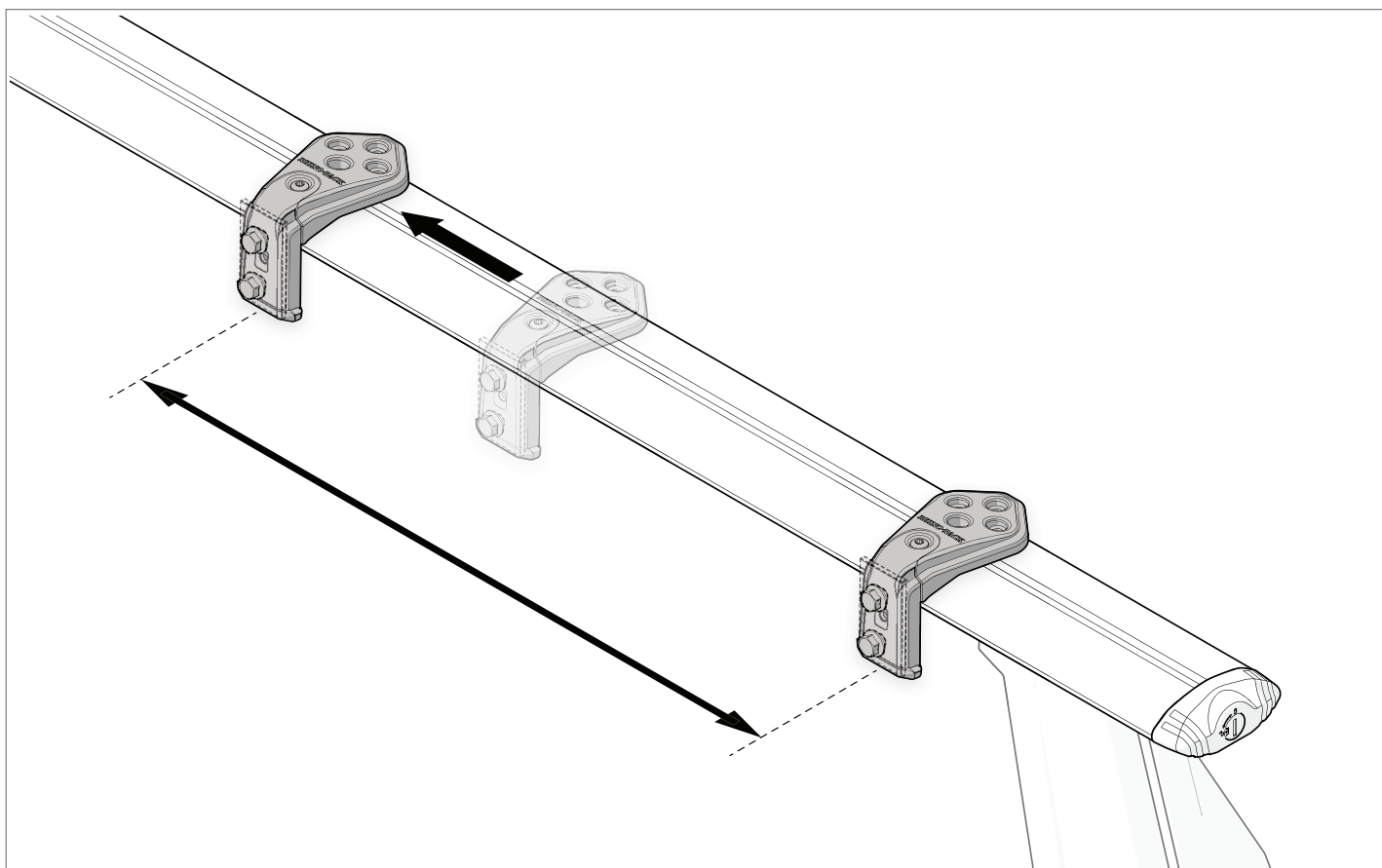


11 Slide brackets along roof rack system to suit accessory dimensions.

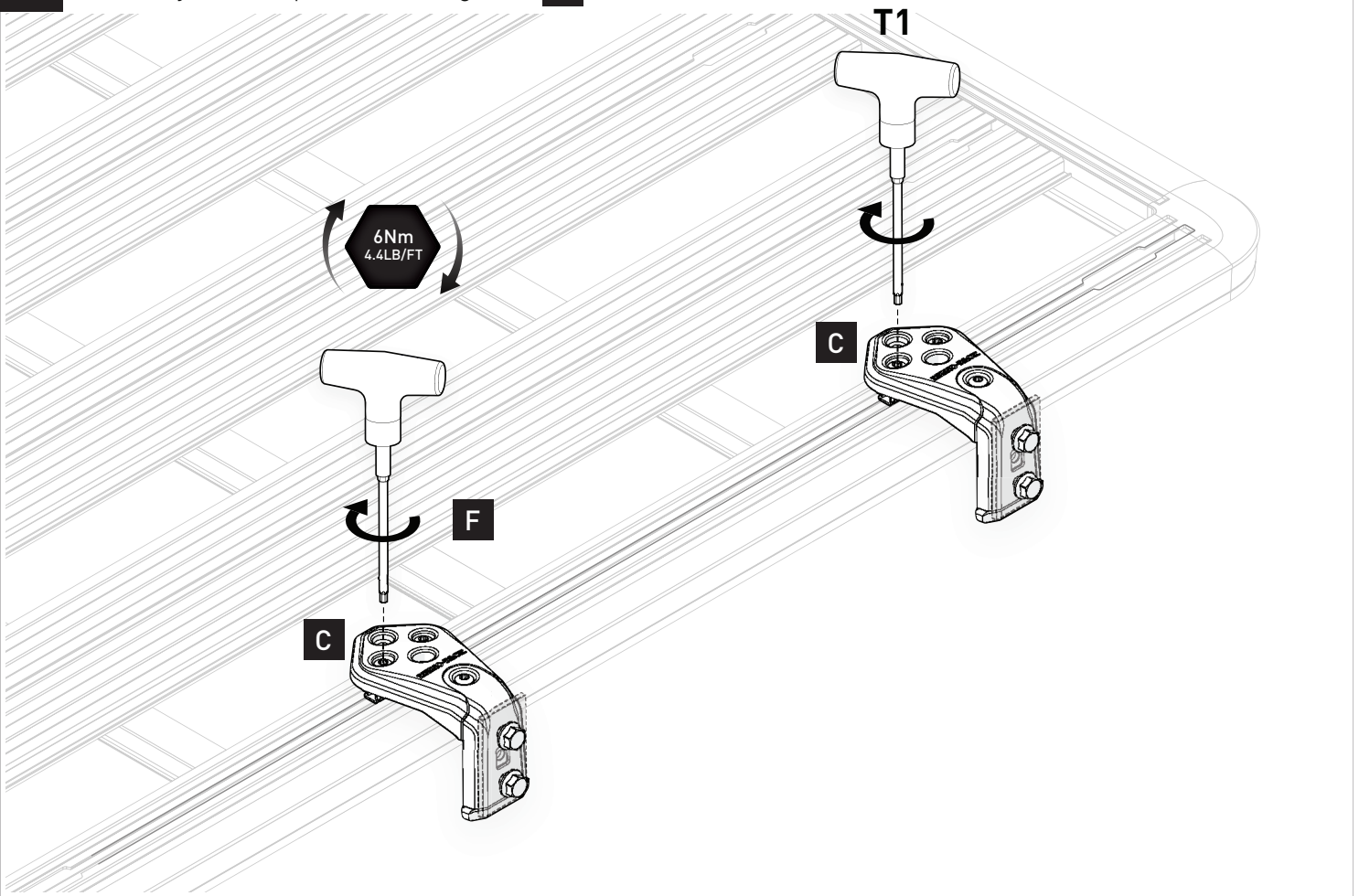
PIONEER PLATFORMS



CROSSBARS (Transverse Placement)



12 Once adjusted to preference, tighten **C** screws.



ADDITIONAL STEP FOR VA BARS

13 Trim VA rubber strips to size and place around each base bracket.

