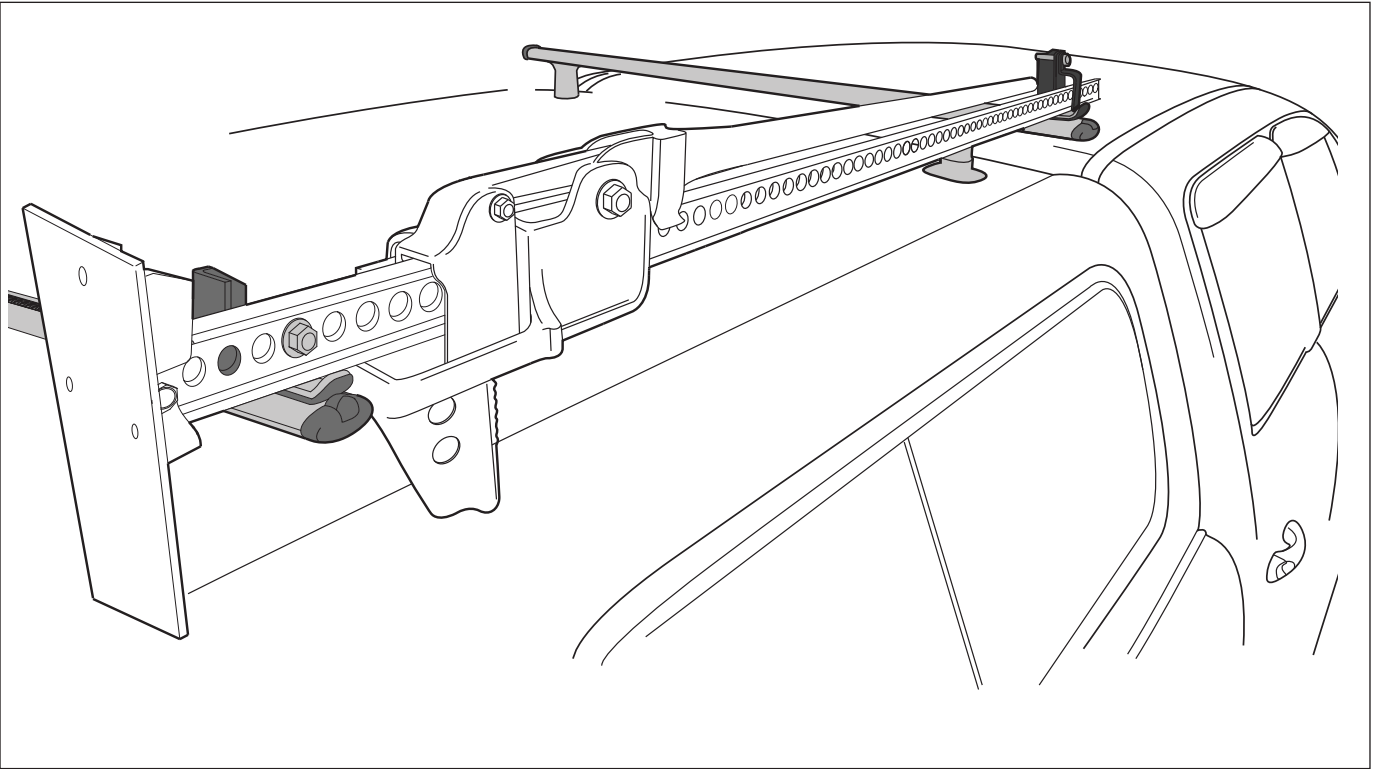




# RHINO-RACK

## Rhino Vortex - High Lifting Jack Holder Bracket - SJHB



### Important Information

**Refer to vehicle owners manual for maximum roof loading. Always use lower of the two figures.**

**Read through instructions before installation. If you are unsure or have any questions, refer to the dealer or place of purchase.**

#### **Recommendations:**

It is essential that all bolt connections be checked after driving a short distance when you first install your High Lifting Jack Bracket. Bolt connections should be checked again at regular intervals (probably once a week is enough, depending on road conditions, usage, loads and distances travelled). You should also check the crossbars each time they are refitted. Make sure to fasten your load securely. Please ensure that all loads are evenly distributed and that the centre of gravity is kept as low as possible. Use non stretch ropes.

**Please remove crossbars when putting vehicle through an automatic car wash.**

#### **Load Ratings:**

Maximum permissible load is 15kg (33lbs).

#### **Note for Dealers and Fitters:**

It is your responsibility to ensure instructions are given to the end user or client.

Rhino-Rack  
3 Pike Street, Rydalmere,  
NSW 2116, Australia.  
(Ph) (02) 9638 4744  
(Fax) (02) 9638 4822

Document No: R373  
Prepared By: Kayle Everett  
Authorised By: Chris Murty

Issue No: 01  
Date:24/02/2014

These instructions remain the property of Rhino-Rack Australia Pty. Ltd. and may not be used or changed for any other purpose than intended.

# Rhino Vortex - High Lifting Jack Holder Bracket - SJHB

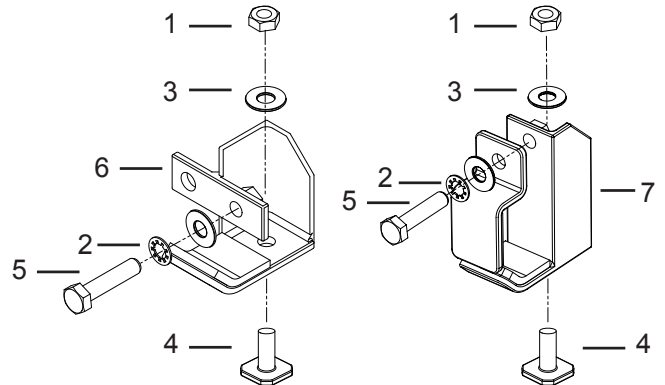
Place these instructions in the vehicle's glove box after installation is complete.

**Important:** Please read these instructions carefully prior to installation. Please refer to your fitting instruction to ensure that the roof racks are installed in the correct locations. Check the contents of kit before commencing fitment and report any discrepancies.

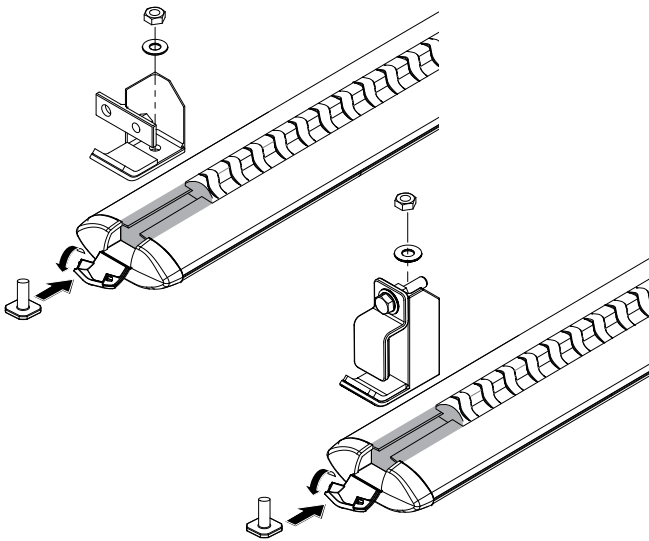
## Parts List

Item	Component Name	Qty	Part No.
1	M8 Black Nyloc Nut	2	N043
2	M10 Internal S/Proof Washer	2	W021
3	M8 X 17mm Flat Washer	2	W020
4	M8 X 16 T-Bolt	2	B018
5	M10 X 45mm Hex Bolt	2	B080
6	Bolt Type Holder Bracket	1	C035
7	Clamp Type Holder Bracket	1	C387
8	Fitting Instruction	1	R397

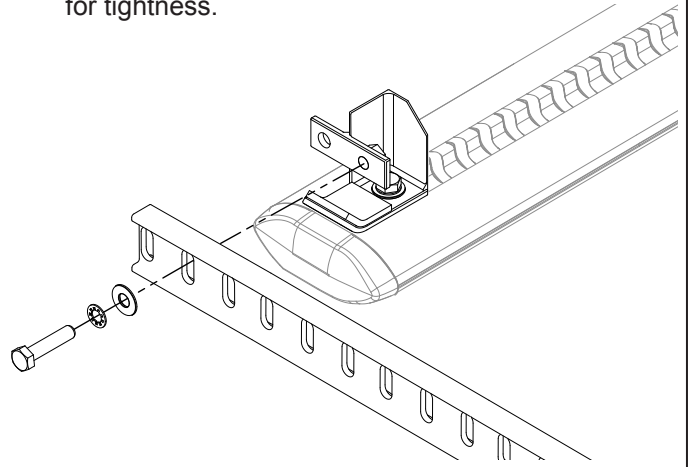
**Note:** Product not to be installed on underside of crossbar



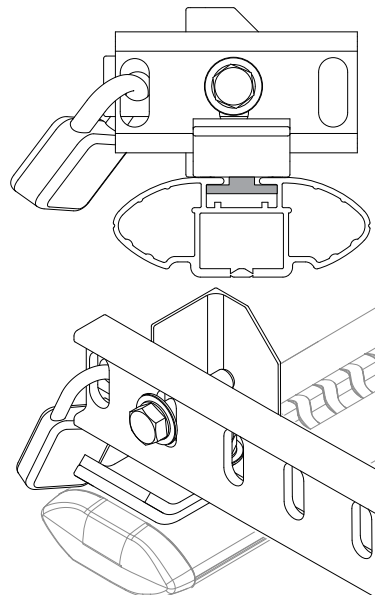
**1** Cut a section of the rubber buffer strip from the crossbar to suit the bracket. Place the jack holder bracket onto the crossbar. Locate the T-Bolt into the crossbar recess, attach Flat Washer and Nyloc Nut.



**2** The high lift jack is clamped to the holder through the jack holes and must be periodically checked for tightness.



**4** Check that the channel nut is fully located across the crossbar after tightening. Jack can be secured with a padlock as pictured in the diagram below.



**3** With the high lift jack in place swing the clamp over the jack arm and tighten the bolt. Periodically check for tightness.

