



RHINO-RACK®

Pioneer Wind Fairing Instructions

RWFS / RWFL

Important:

1. Check the Rhino-Rack website to ensure you have the latest issue of these instructions.
2. Please refer to your fitting instruction to ensure that the accessory is installed in the correctly.
3. Check the contents of kit before commencing fitment and report any discrepancies.
4. Place these instructions in the vehicle's glove box after installation is complete.
5. These instructions must be followed for warranty to be upheld.

Fit Time: 60 mins



The fairing is designed to minimise oncoming wind noise, it will not reduce all wind noise. The fairing cannot minimise noise generated from crosswinds

Warning

- Do not attempt to fit the accessory to your vehicle unless you fully understand these fitting instructions. Please direct any questions regarding fitting to the dealer from where the product was purchased.
- The rack system and accessories must be removed when vehicle is put through an automatic car wash.
- Do not use fairing as a tie off point - Always lash around the platform

Recommendations

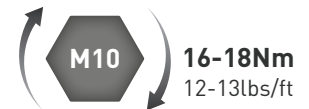
- Clean fairing with a smooth cloth using water or mild washing liquid. Damage to plastic may occur with strong or concentrated cleaning detergents.
- Protect roof if concentrated or strong cleaning detergents are used as they can cause damage to paint.

Maintenance checks

- All bolted connections should be checked after driving a short distance when you first install your roof racks & accessories.
- All bolted connections should be checked again at regular intervals (every 1000k (621mi) is recommended, depending on road conditions, usage, loads and distances travelled). All bolted connections should be checked each time they are re-fitted.

Torque Settings:

Unless stated otherwise in these instructions, all fasteners should be set to the following torque settings:



Sensitivity to Crosswinds, Behaviour in Curves and Braking

Remember that the handling characteristics of your vehicle will change when transporting a load on the roof.

Exercise extreme care when transporting wind-resisting loads; special consideration must be taken into account when braking.

Note for Dealers and Fitters


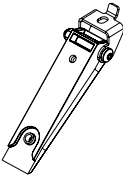
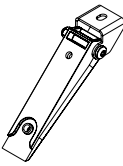
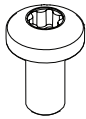
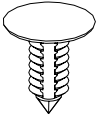
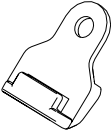
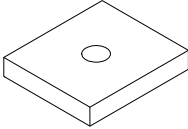
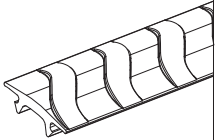
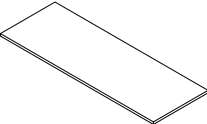

It is your responsibility to ensure these fitting instructions are given to the end user or client. These instructions remain the property of Rhino-Rack Australia Pty. Ltd. and may not be used or changed for any other purpose than intended.

Platform Compatibility List

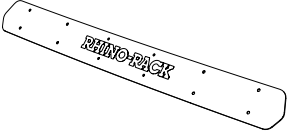
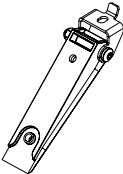
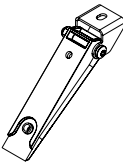
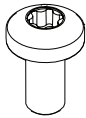
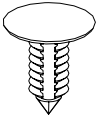
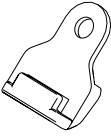
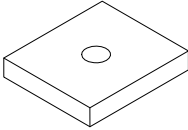
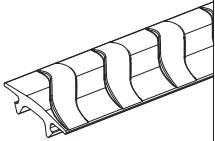
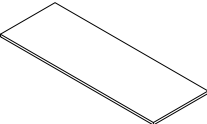

The RWFS and RWFL wind fairings are suitable for 5 Series Pioneer Platforms only.

	RWFS	RWFL		
Platforms	52100	52101	52108	52113
	52102	52103	52110	52119
	52107	52104	52111	52120
	52109	52105	52112	

RWFS Parts List

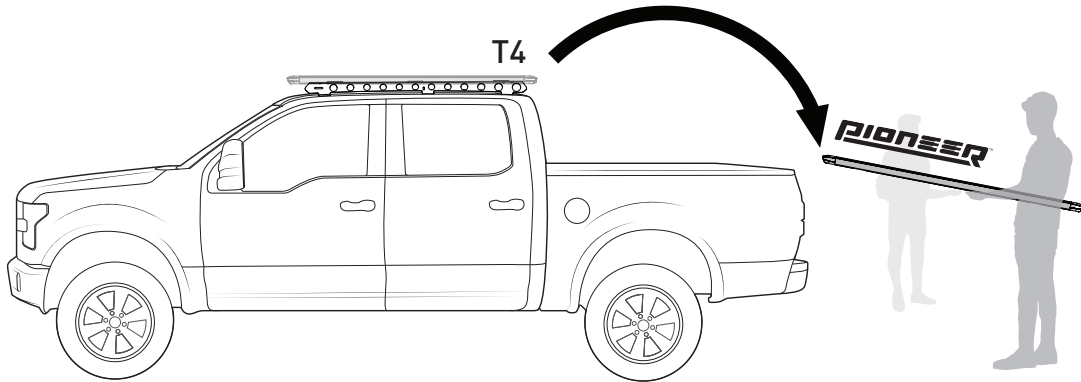
<p>Wind Fairing</p>  <p>A x1</p>	<p>Outside Arm Assembly</p>  <p>B x2</p>	<p>Inside Arm Assembly</p>  <p>C x2</p>	<p>M6 x 12 Torx Pan Head</p>  <p>D x4</p>
<p>Push in Plug</p>  <p>E x9</p>	<p>Rubber Bumper</p>  <p>F x7</p>	<p>M6 Plate Nut</p>  <p>G x4</p>	<p>400mm Vortex Generating Strips</p>  <p>H x3</p>
<p>Abrasion Resit Tape</p>  <p>I x8</p>	<p>T30 Torx Key</p>  <p>J x1</p>	<p>Tools Required</p> <p>T1 - Cleaning Rag/Sponge T2 - Measuring Tape T3 - Scissors T4 - 13mm Socket Wrench / Spanner</p>	

RWFL Parts List

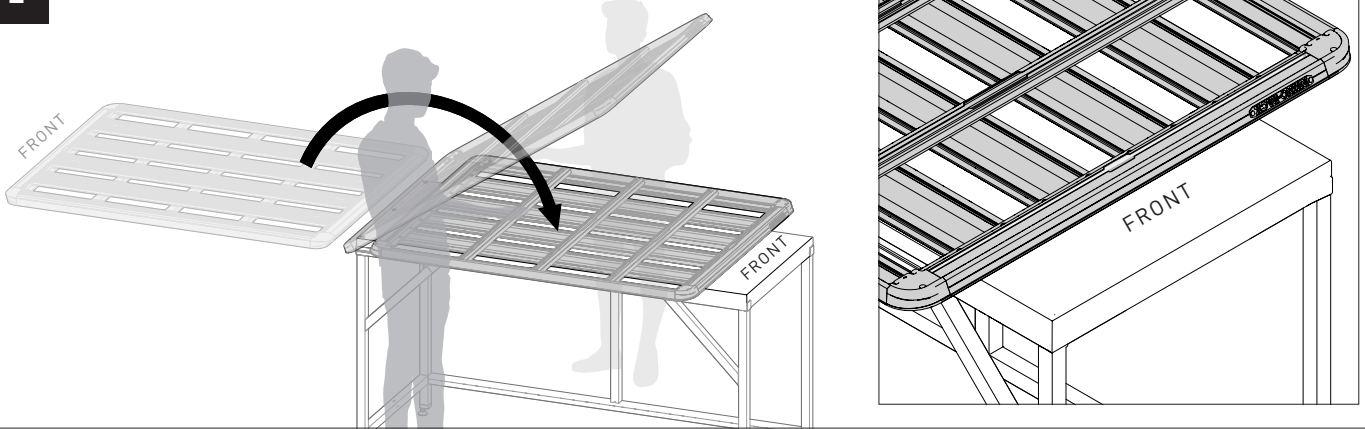
<p>Wind Fairing</p>  <p>A x1</p>	<p>Outside Arm Assembly</p>  <p>B x2</p>	<p>Inside Arm Assembly</p>  <p>C x4</p>	<p>M6 x 12 Torx Pan Head</p>  <p>D x6</p>
<p>Push in Plug</p>  <p>E x13</p>	<p>Rubber Bumper</p>  <p>F x11</p>	<p>M6 Plate Nut</p>  <p>G x6</p>	<p>400mm Vortex Generating Strips</p>  <p>H x3</p>
<p>Abrasion Resit Tape</p>  <p>I x12</p>	<p>T30 Torx Key</p>  <p>J x1</p>	<p>Tools Required</p> <p>T1 - Cleaning Rag/Sponge T2 - Measuring Tape T3 - Scissors T4 - 13mm Socket Wrench / Spanner</p>	

1

Install method depends on loads on the platform. If your platform is loaded with accessories, installation may be easier with the platform fixed to the roof.

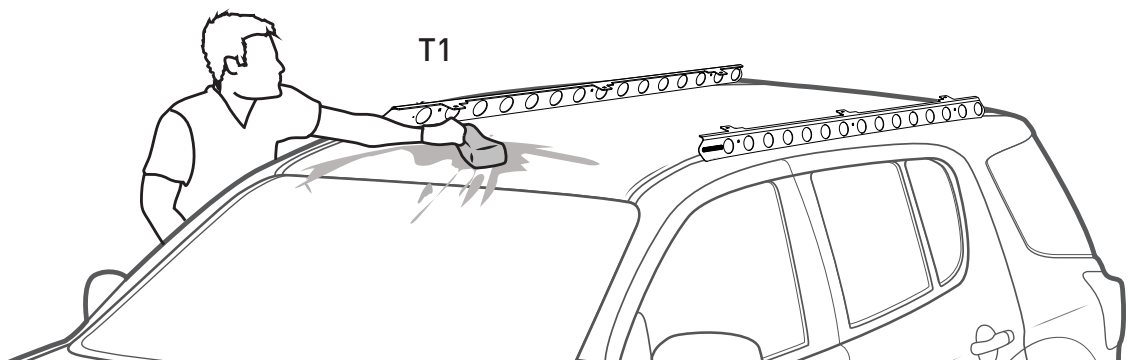


2

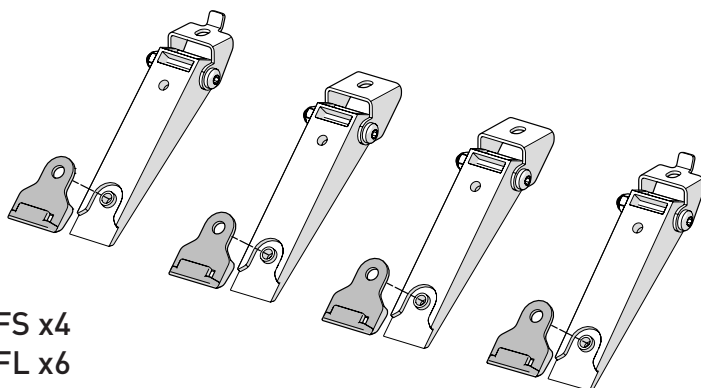


3

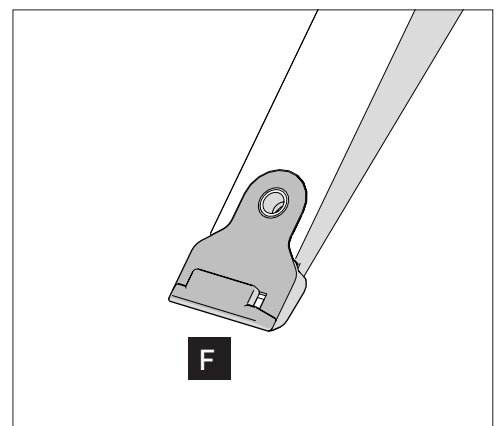
Roof must be cleaned and dried for optimal adhesion of the abrasion resin tape

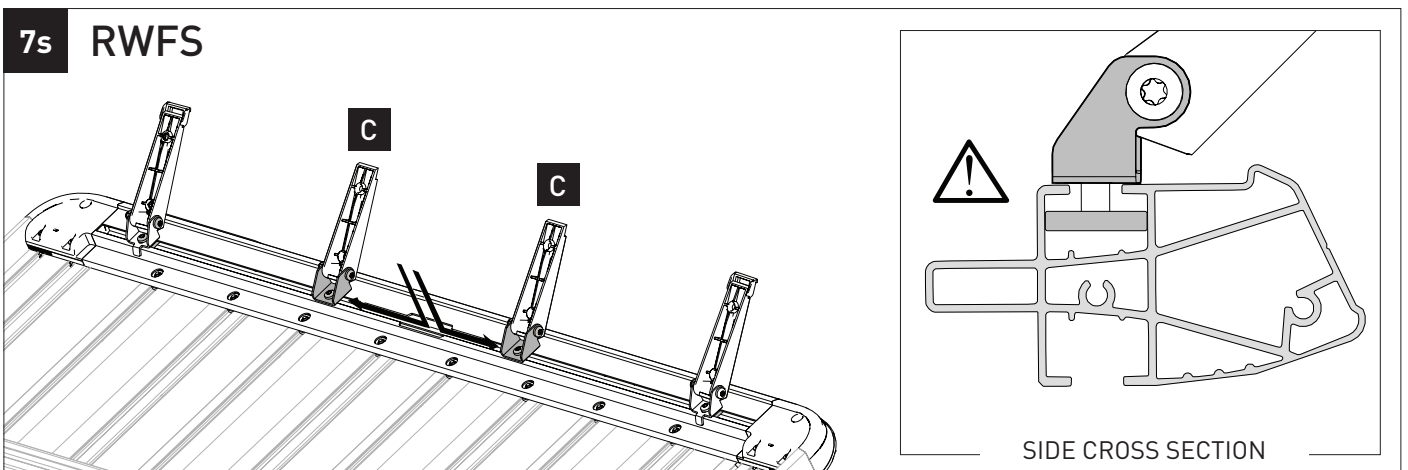
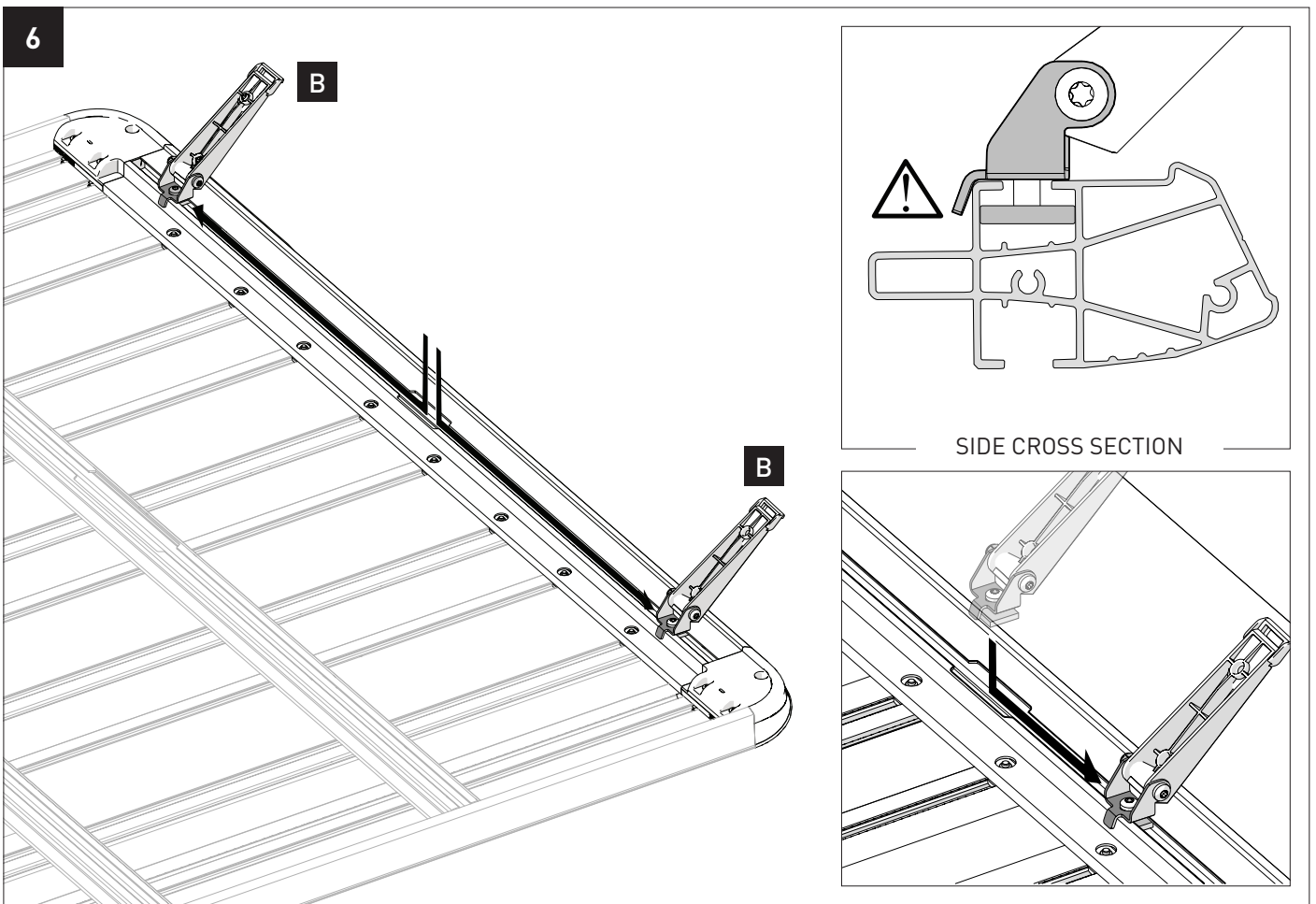
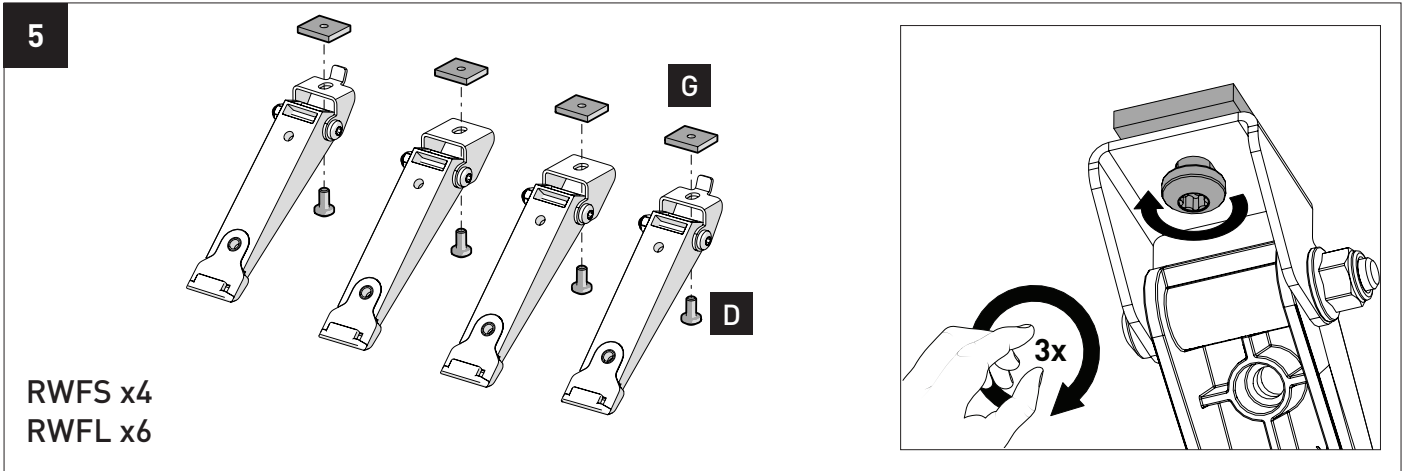


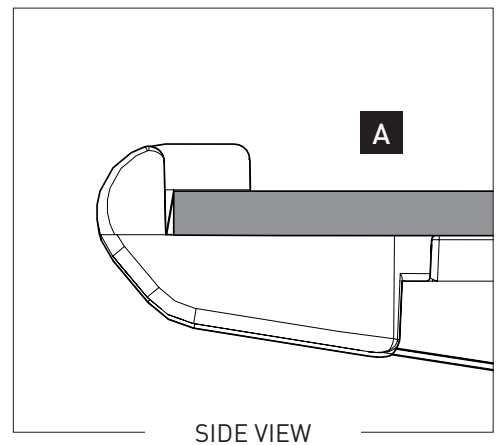
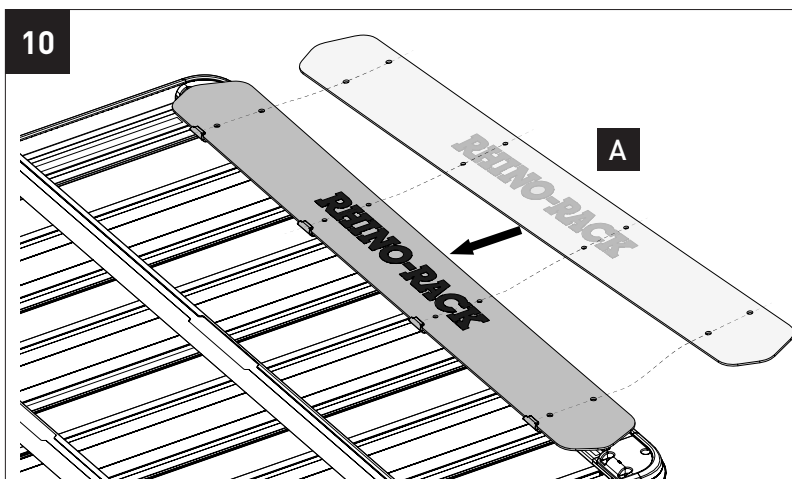
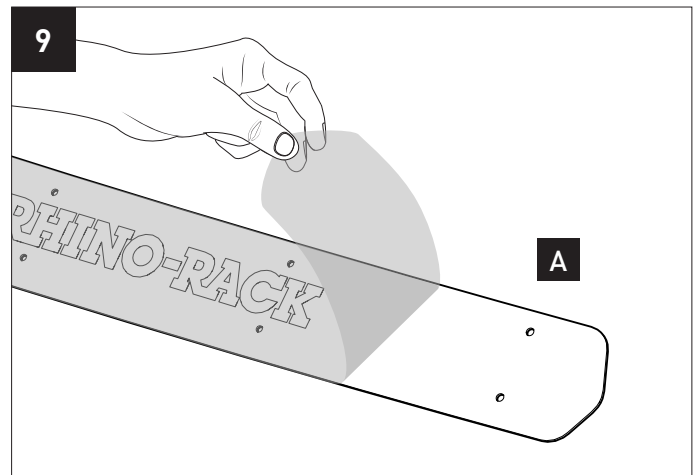
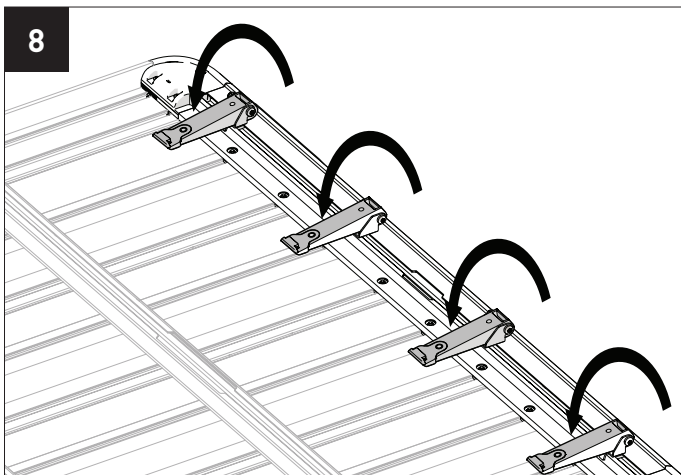
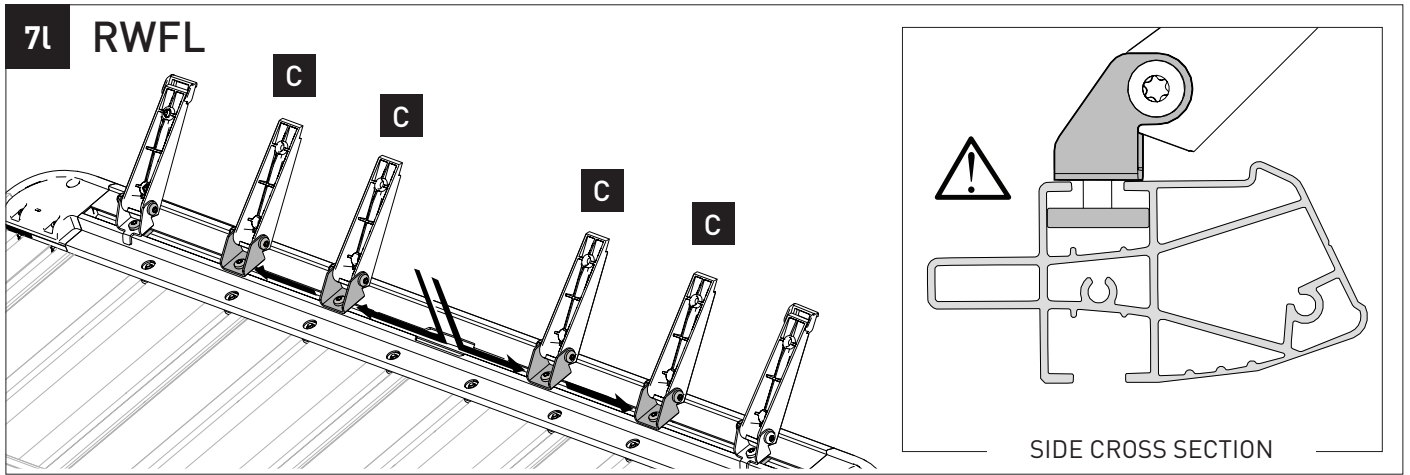
4



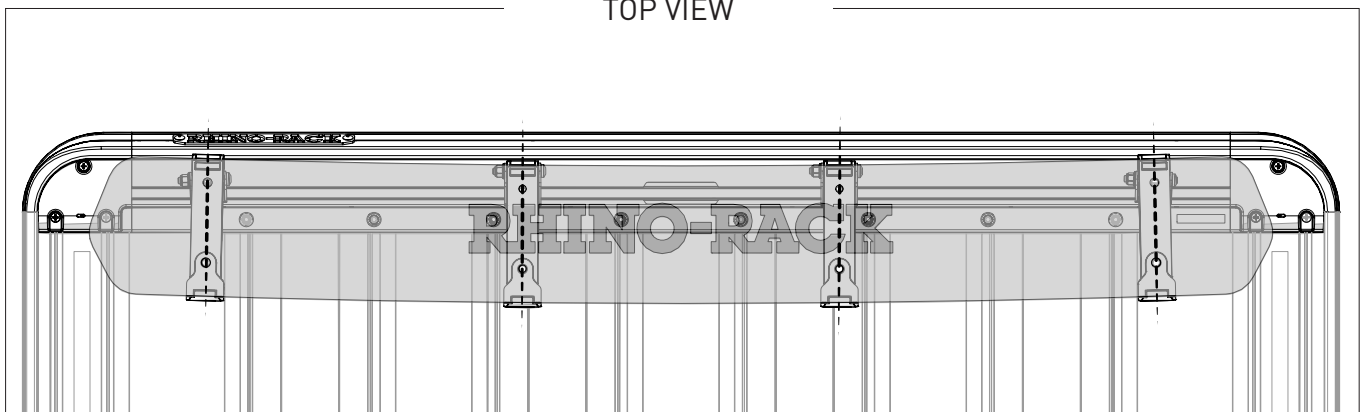
RWFS x4
RWFL x6

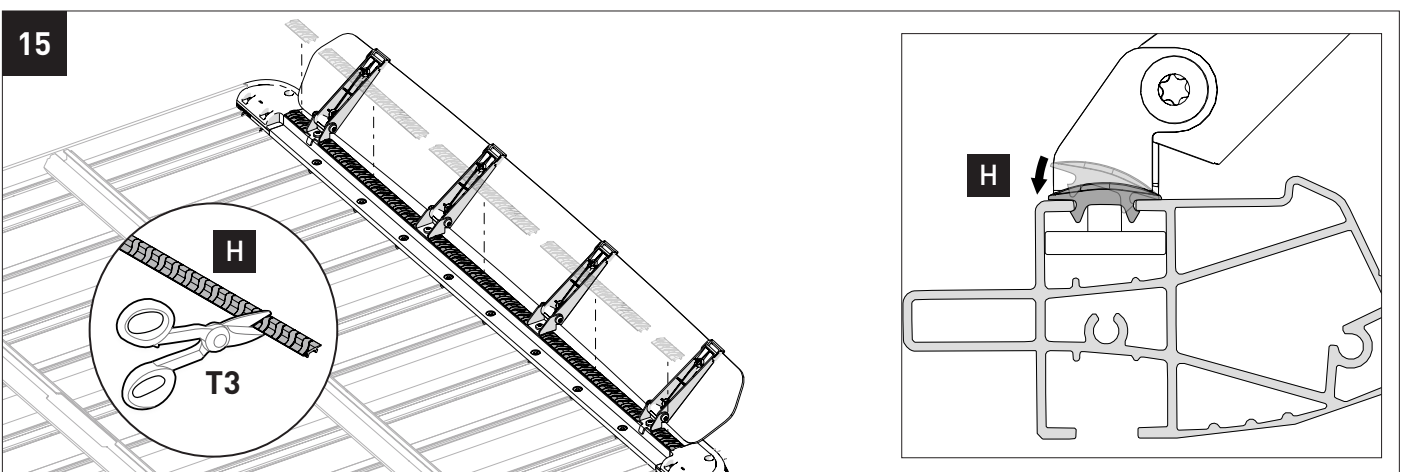
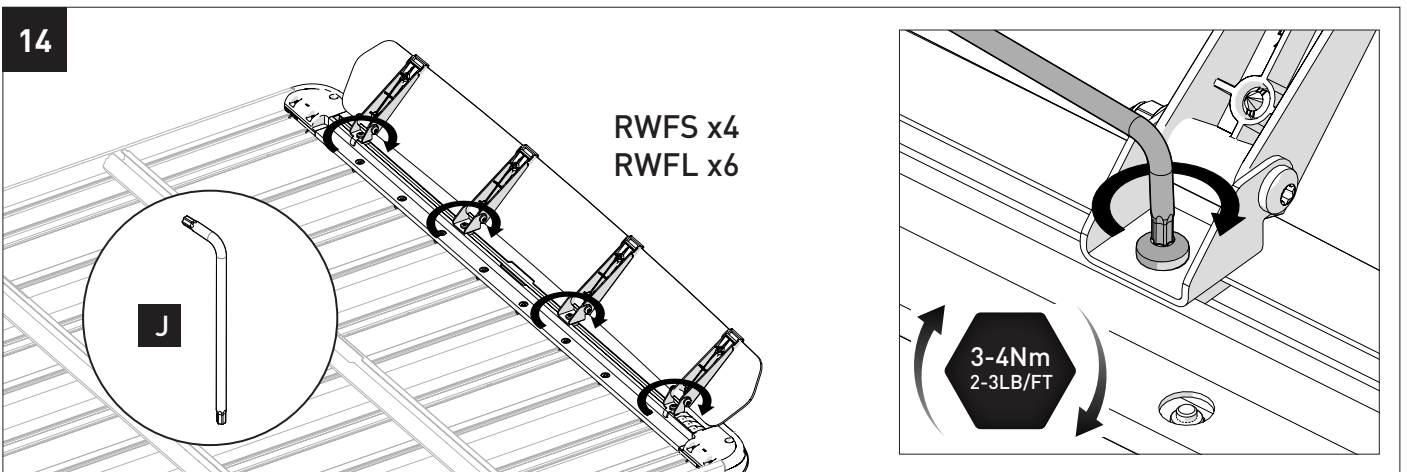
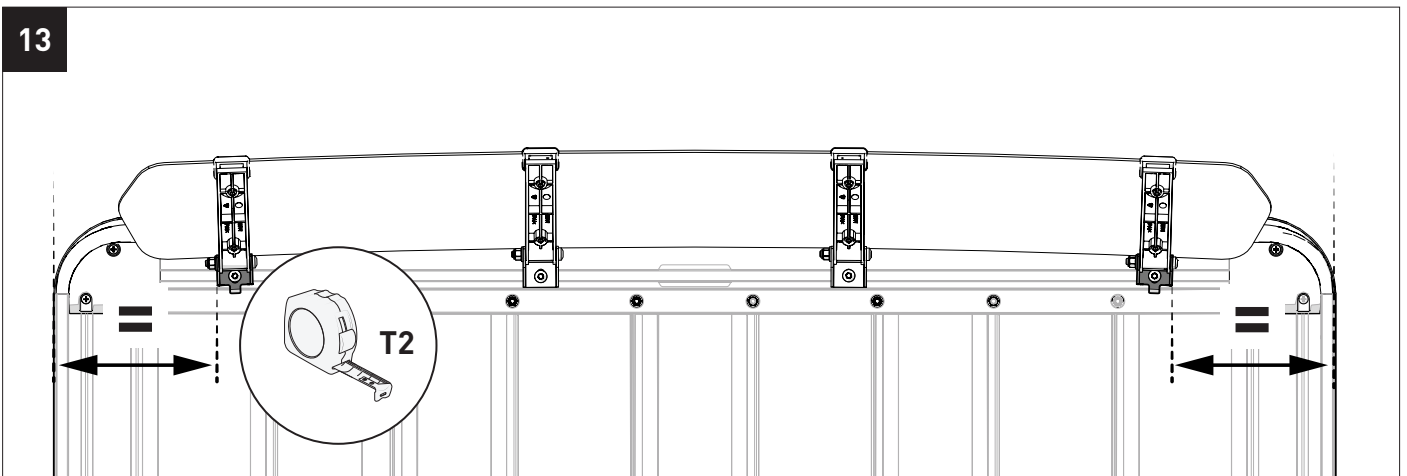
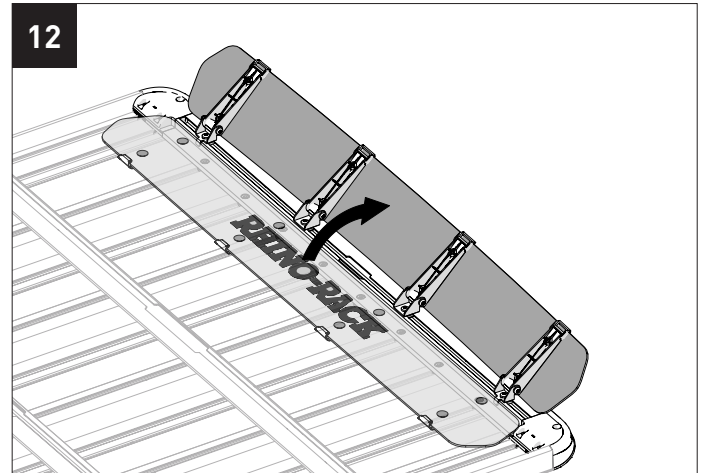
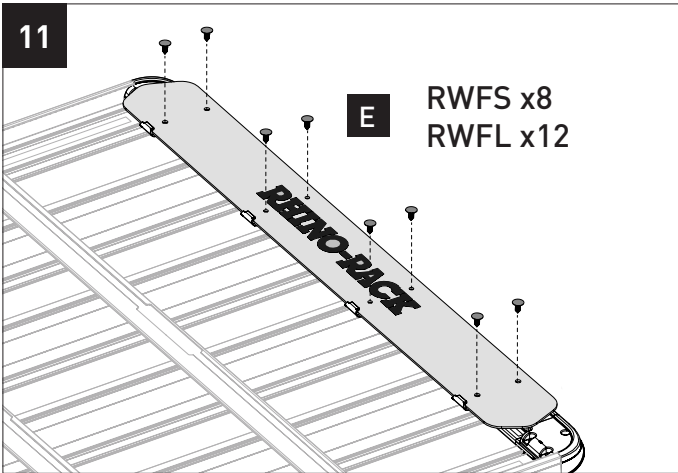




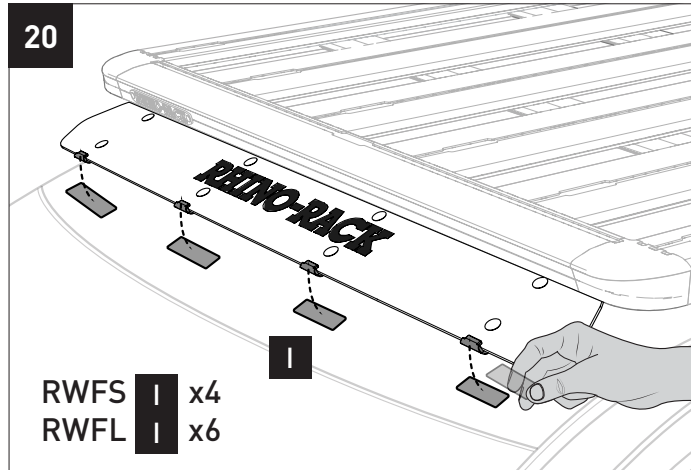
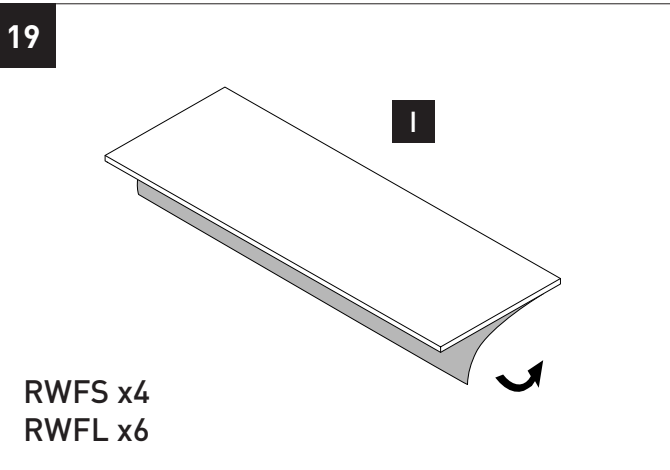
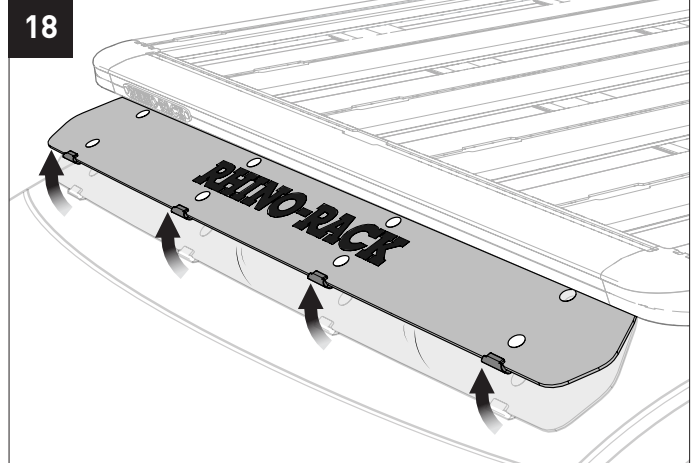
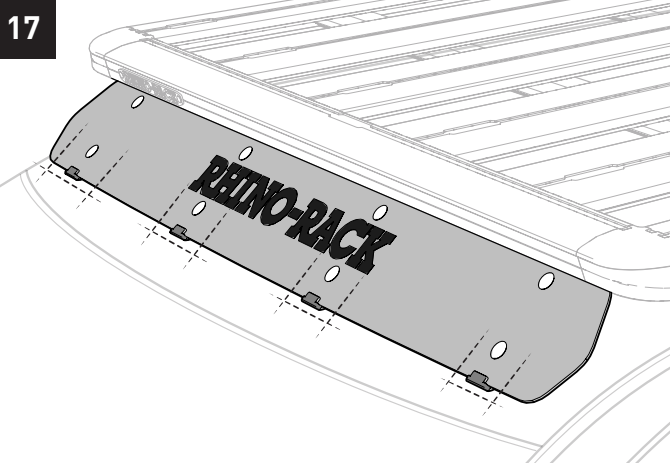
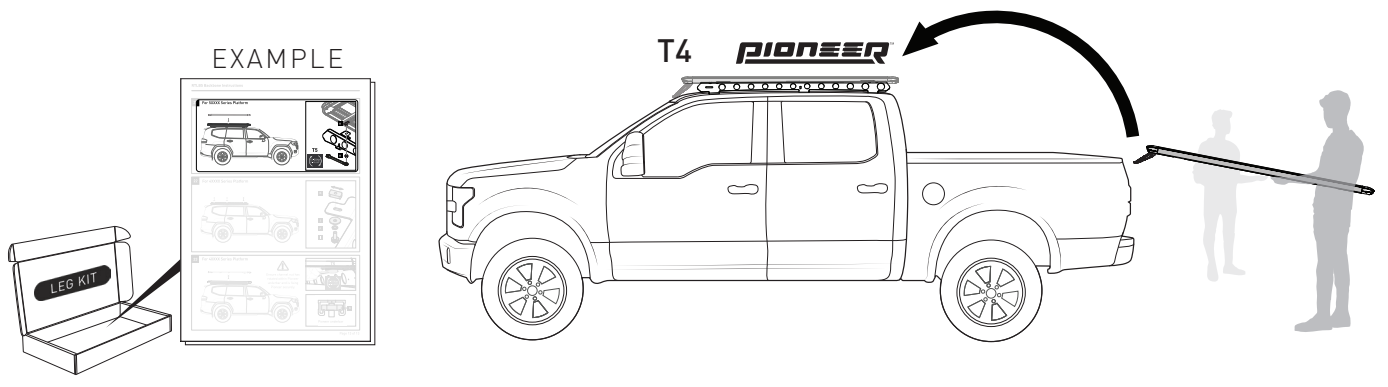


TOP VIEW



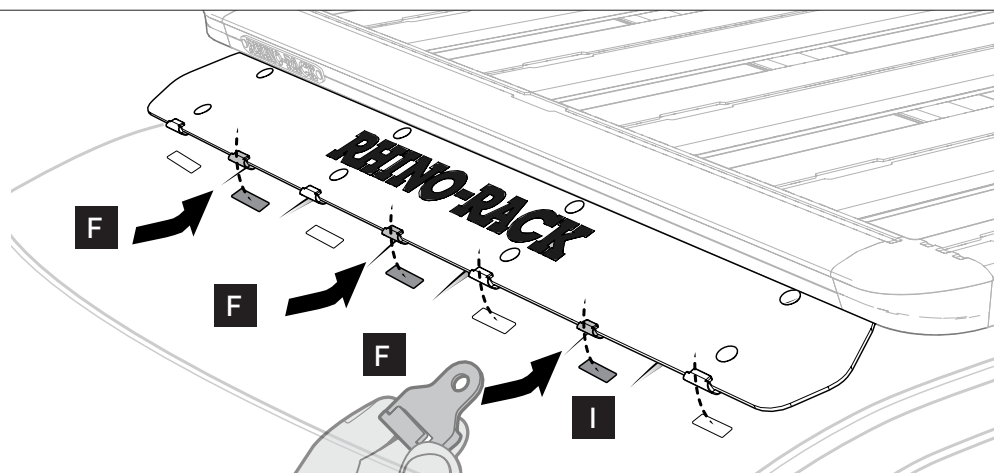


16 Reinstall to **LEG KIT**

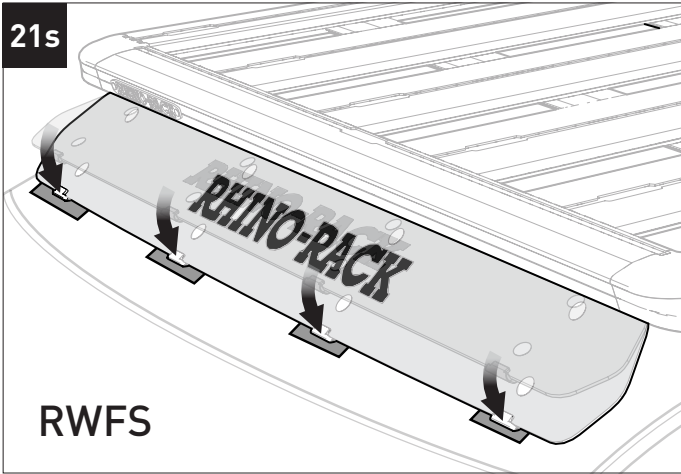


Optional

Due to variances in roofs and location of platforms on roofs, some vehicles may require additional rubber bumps to eliminate roof tapping.

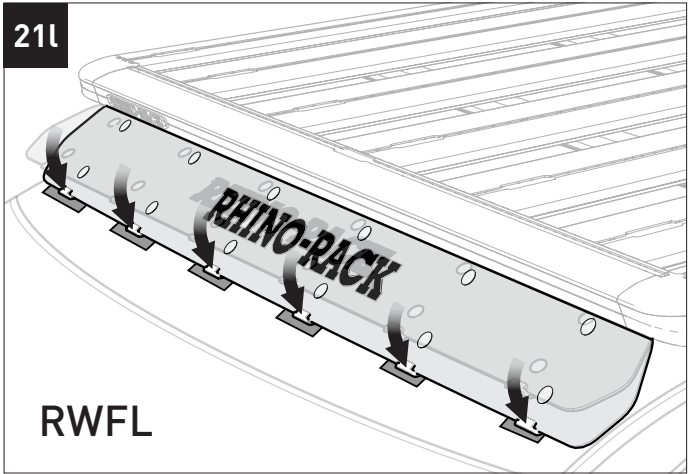


21s



RWFS

21l



RWFL