
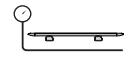
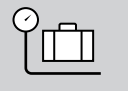



VEHICLE					PIONEER	CONNECTOR	HEIGHT ADDED mm / in	
HYUNDAI Palisade Gen 1 4WD/SUV Flush Rail 5 dr					62101	SX066	90 / 4	
REGION	AUS	NZ	USA	CA	SA	UK	EU	ZA
AVAILABILITY	✓	✓	✓	✓	✓	x	x	✓
RUN DATES	2020 -	2020 -	2020 -	2020 -	2020 -	-	-	2020 -
VEHICLE NOTES	- Sunroof can be operated							

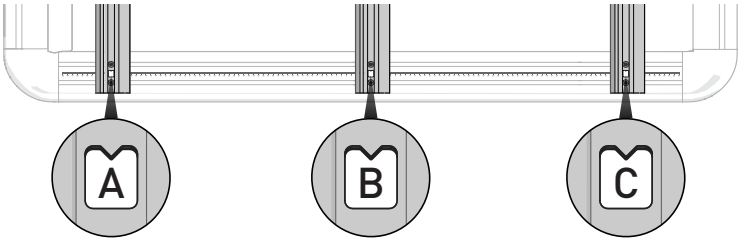
VISIT THE ONLINE CALCULATOR FOR CURRENT SYSTEM LOAD LIMIT DATA



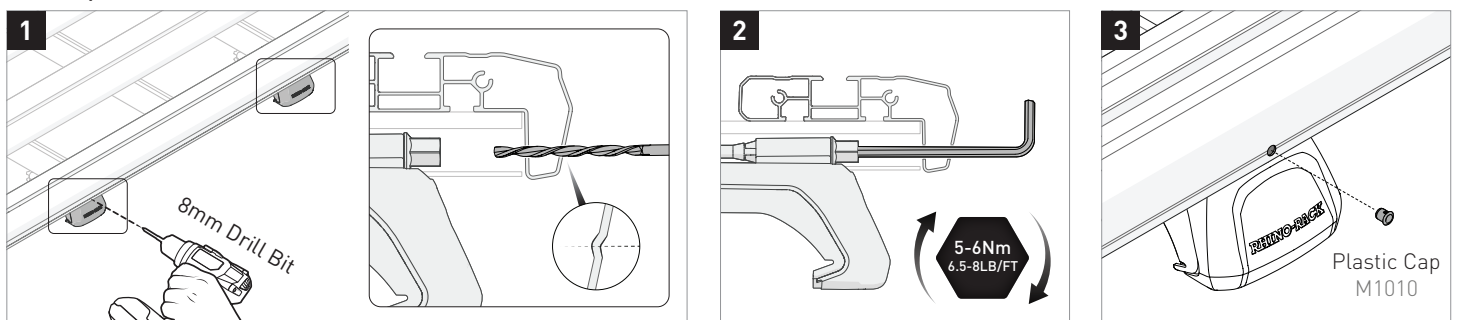
DYNAMIC ROAD LOAD LIMIT (NOTE: DIFFERENT ON AND OFF ROAD CARGO LIMIT)
***USE THE VEHICLE MANUFACTURER'S MAXIMUM ROOF ALLOWANCE IF IT IS LOWER THAN THE FIGURE LISTED**

 LOAD LIMIT UP TO 80 Kg* 176 lbs	 SYSTEM WEIGHT UP TO 22 Kg 48 lbs	OR  ON ROAD CARGO LIMIT UP TO 58 Kg 128 lbs	 OFF ROAD CARGO LIMIT (ON ROAD CARGO LIMIT / 1.5) UP TO 39 Kg 86 lbs
--	---	--	---

UNDERBAR SPACING

FRONT								REAR
BAR	A	B	C	D	E	F	G	
DIMENSION (CM)	-57.5	0	57.5					
SPACERS REQ'D								
CONNECTOR	SX066		SX066					
OUTER UNDERBAR COVER (mm/in)	Refer to Step 11-12 in Pioneer Series 6 Fitting Instructions to trim B and C							
CENTRE UNDERBAR COVER (mm/in)	Refer to Step 11-12 in Pioneer Series 6 Fitting Instructions to trim B and C							

IF 5-6N/m CANNOT BE OBTAINED



NOTES FOR DEALERS / FITTERS

It is your responsibility to ensure these fitting instructions are given to the end user or client.