



RHINO-RACK®

Stow-it Awning Adaptor

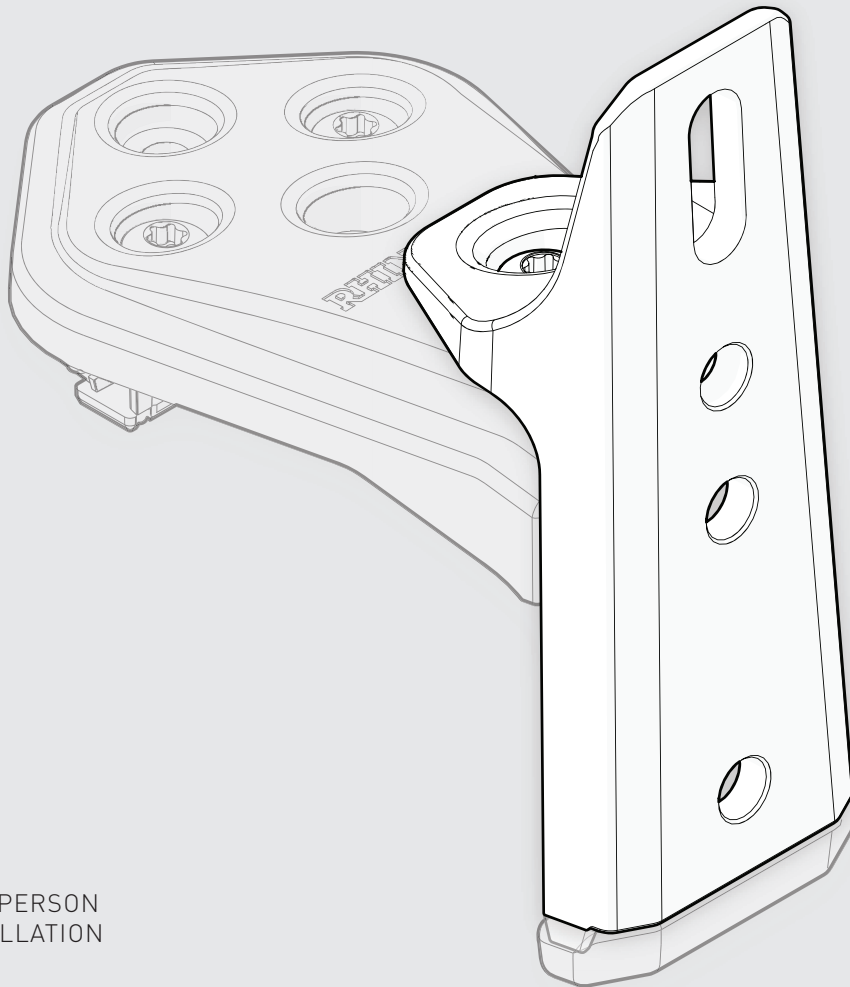
BSIT

Important:

1. Check the Rhino-Rack website to ensure you have the latest issue of these instructions.
2. Please refer to your fitting instruction to ensure that the roof racks are installed in the correct locations.
3. Check the contents of kit before commencing fitment and report any discrepancies.
4. Place these instructions in the vehicle's glove box after installation is complete.
5. These instructions must be followed for warranty to be upheld.

Fit Time: 15 mins

STOW it™



1 2 TWO-PERSON
INSTALLATION

RHINORACK.COM

Rhino-Rack AUSTRALIA
22A Hanson Pl,
Eastern Creek, NSW, 2766

Rhino-Rack USA
Unit D, 2450 Airport Blvd,
Aurora, CO, 80011

Document No: 520-RFI-00096

Issue No: 02

Issue Date: 14/02/2023

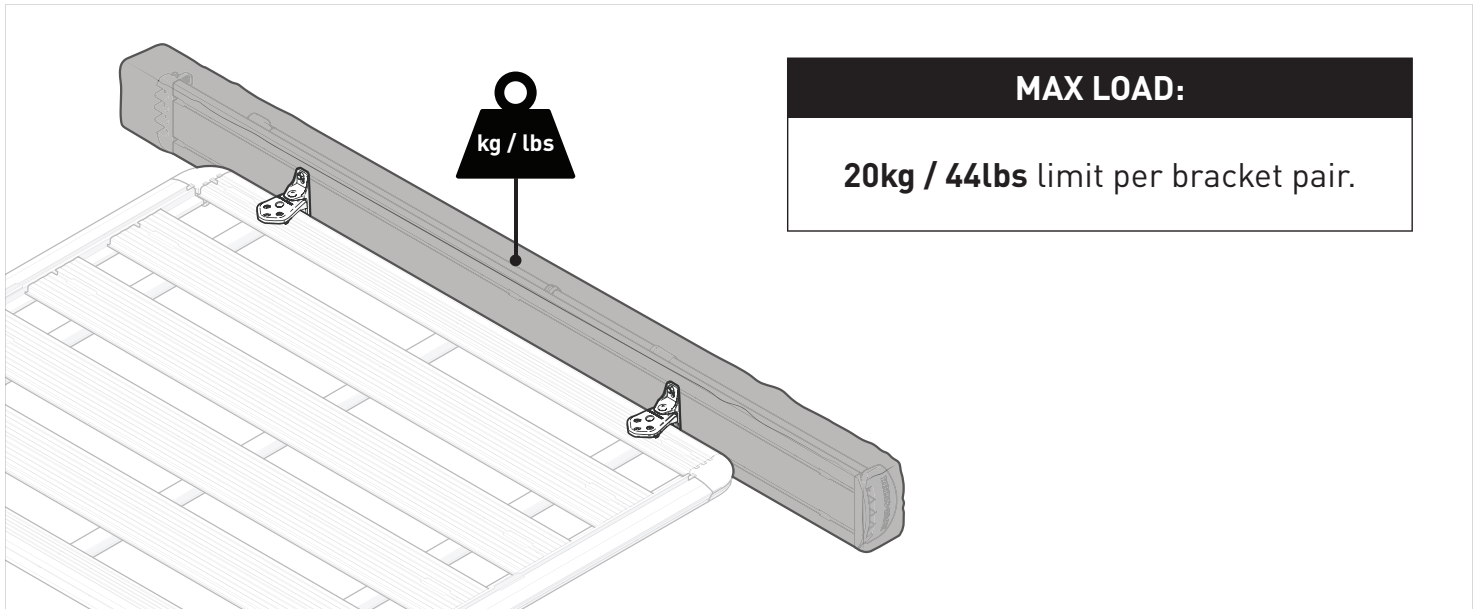
Carrying Capacity

The maximum permissible cargo capacity on a pair of brackets is **20kg/44lbs**.

*Check the vehicle owners hand book for your vehicle manufacturer’s maximum carrying capacity. Do not exceed the vehicle manufacturer’s maximum roof carrying capacity. The weight of the roof racks, that the accessory is attached to, must also be included in the total vehicle roof load.



**0.5kg / 1.1lbs
PER PAIR**

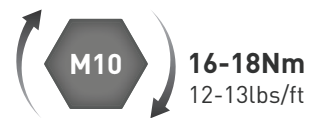
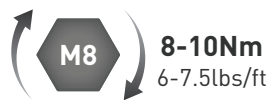


In service maintenance checks

- All bolt connections should be checked after driving a short distance when you first install your roof racks.
- All bolted connections should be checked again at regular intervals (weekly is recommended, depending on road conditions, usage, loads and distances travelled).
- All bolted connections should be checked each time they are re-fitted.
- Off-road conditions are more rigorous. Check all bolted connections and your load more regularly.
- Ensure that your vehicle manufacturer’s GVM, and gross axle weights are not exceeded (refer to vehicle owner’s manual).

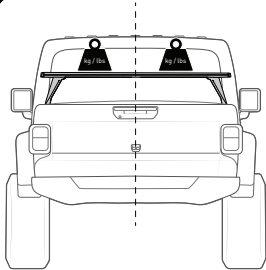
Torque Settings:

Unless stated otherwise in these instructions, all fasteners should be set to the following torque settings:

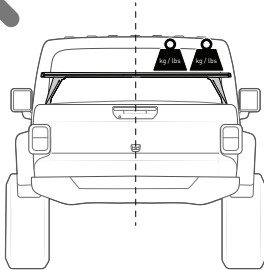
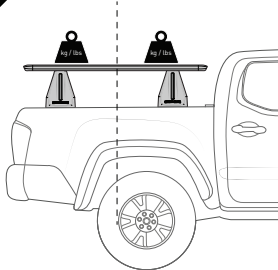


Note for Dealers and Fitters

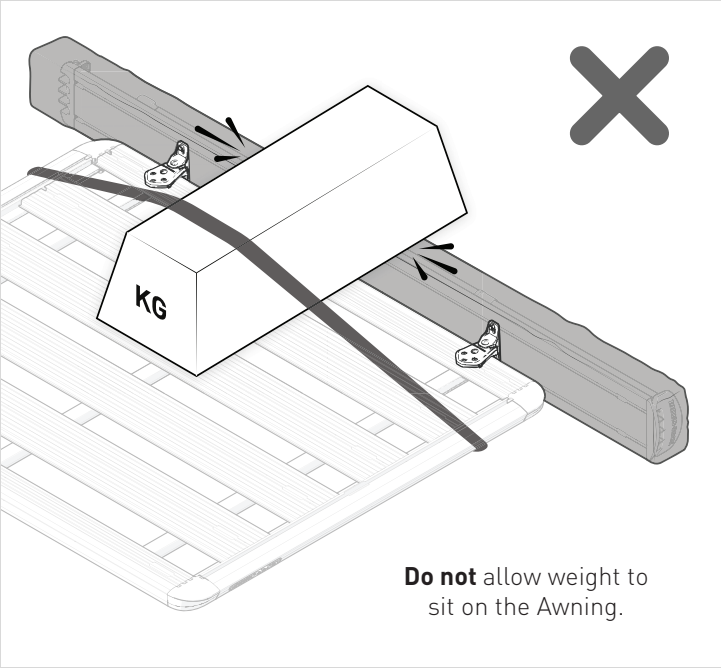
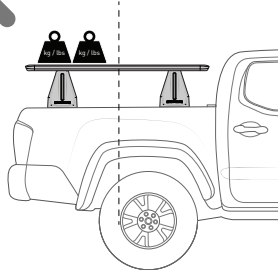
It is your responsibility to ensure these fitting instructions are given to the end user or client. These instructions remain the property of Rhino-Rack Australia Pty. Ltd. and may not be used or changed for any other purpose than intended.



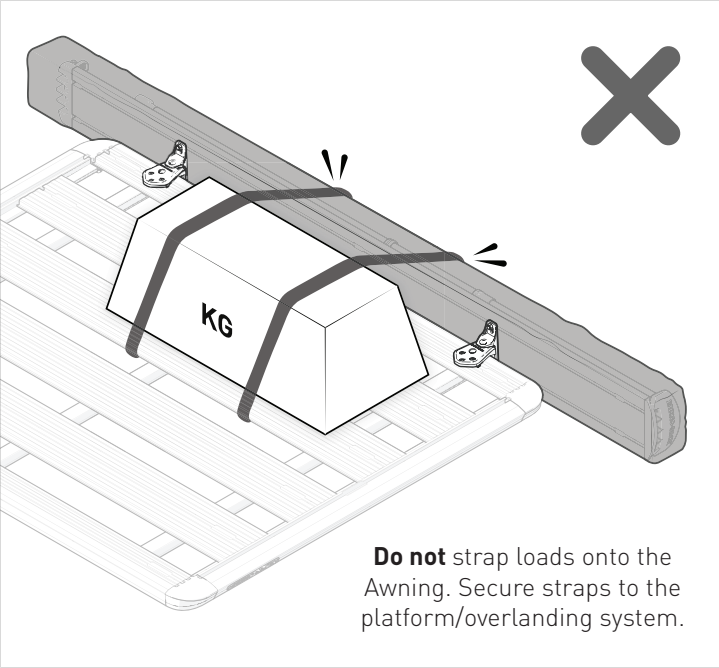
Distribute loads evenly and laterally/longitudinally as low as possible over the span.



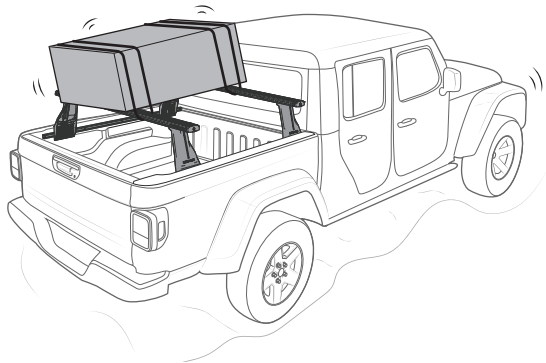
Avoid point loads concentrated at the front or rear.



Do not allow weight to sit on the Awning.



Do not strap loads onto the Awning. Secure straps to the platform/overlanding system.



The handling characteristics of the vehicle changes when a load is transported on the vehicle exterior.

Exercise extreme care when transporting wind-resistant loads. Special consideration must be taken when cornering and braking.

Off-road conditions can be much more rigorous. Extreme care must be taken in off-road conditions.

Parts List



Tools Required:

- T1 - 13mm Socket Wrench
- T2 - Tape Measure
- T3 - Step Ladder (For taller vehicles)
- T4 - Torque Tool (Supplied with 5XXX Series Pioneer Platform)
- T5 - M6 Torx Bit (Supplied with SSIT kit)

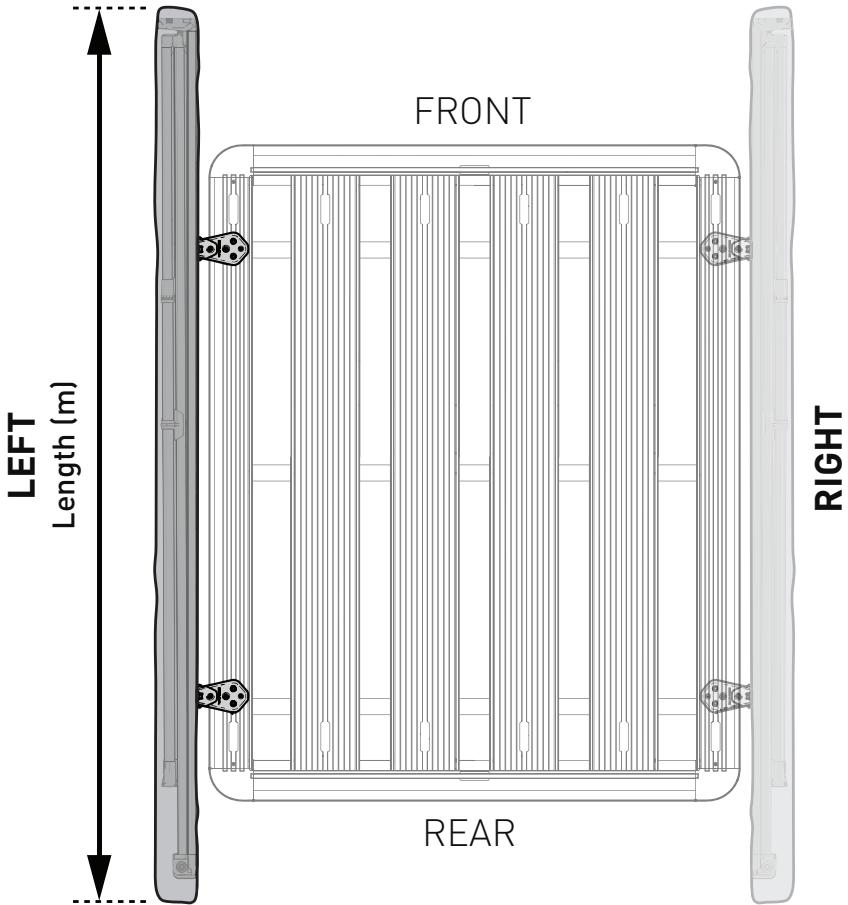
Batwing Configurations

Visit the RhinoRack.com website to determine the correct side mounting Batwing for your vehicle.

NOTE: LEFT Batwing + Pioneer setup is depicted in this instruction

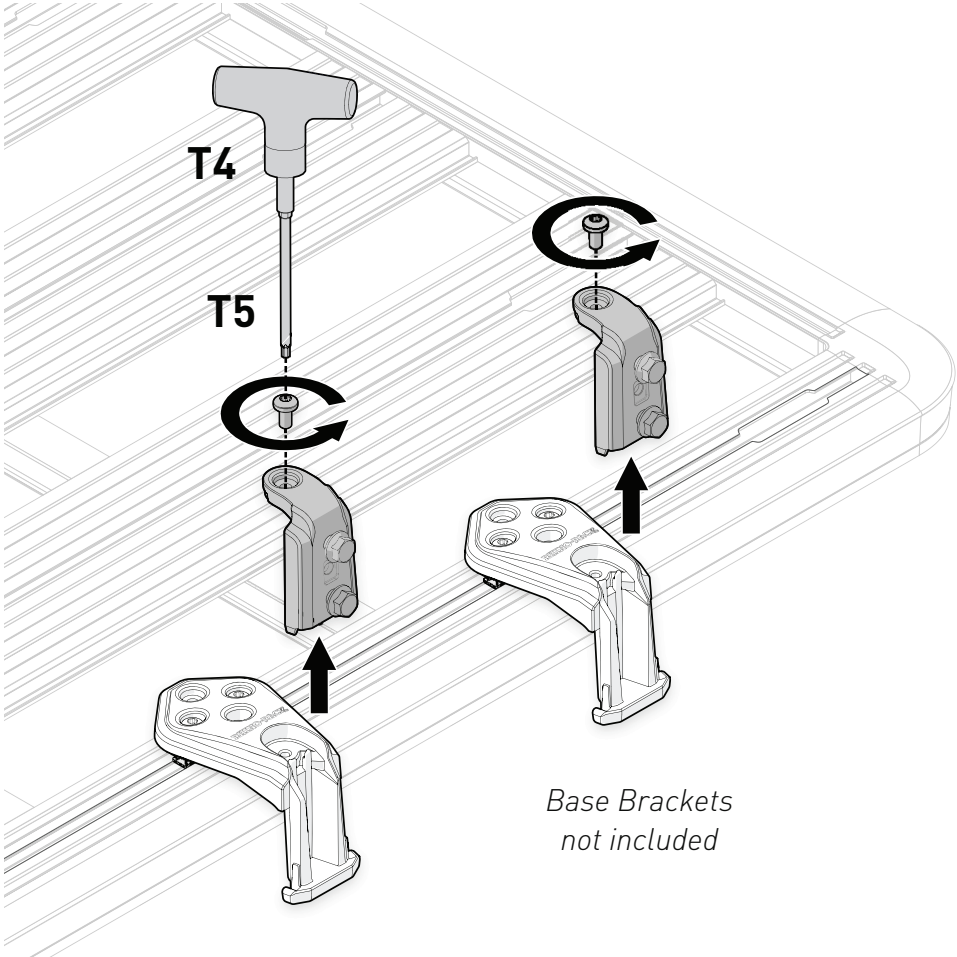
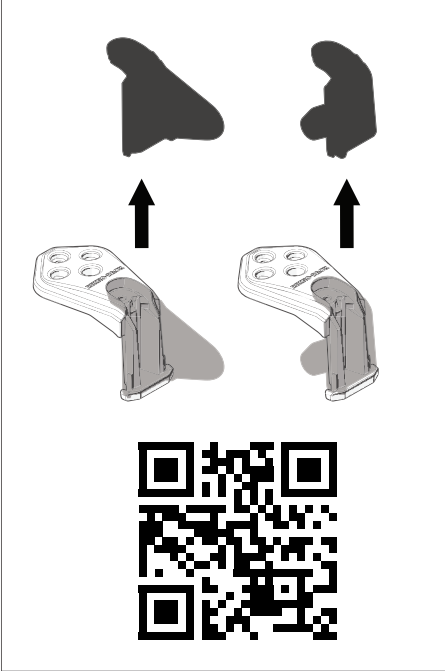
LEFT/RIGHT SIDE MOUNTING

Platform Length (mm)	Compatible Batwing Awnings for mounting
928	-
1328	2.0m
1528	2.0m
1828	2.0m, 2.5m
1928	2.0m, 2.5m
2128	2.0m, 2.5m
2528	2.0m, 2.5m
2728	2.0m, 2.5m

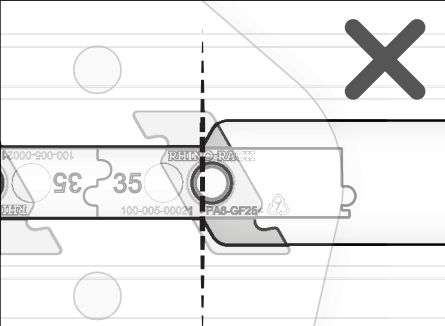
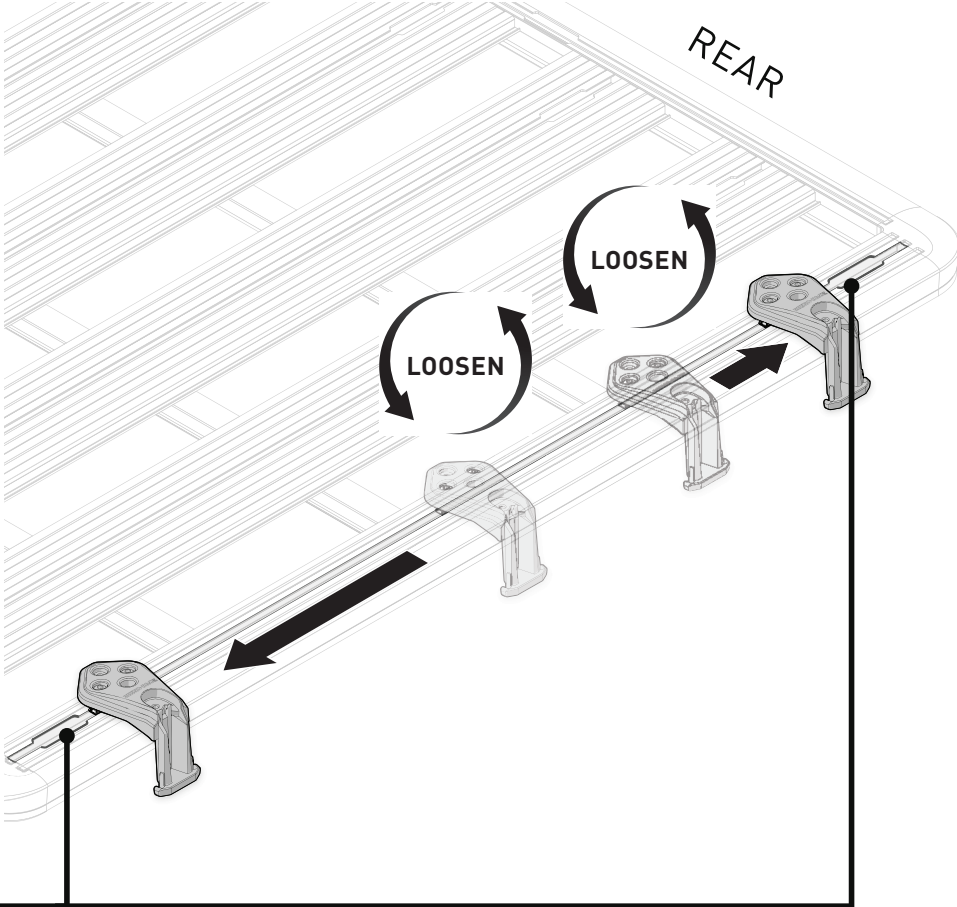
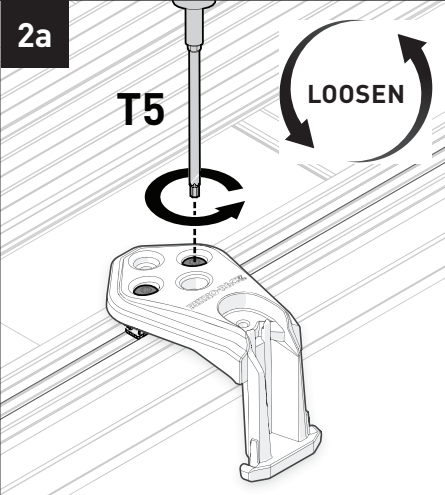


1 Remove previous adaptors if installed, otherwise proceed to Step 2

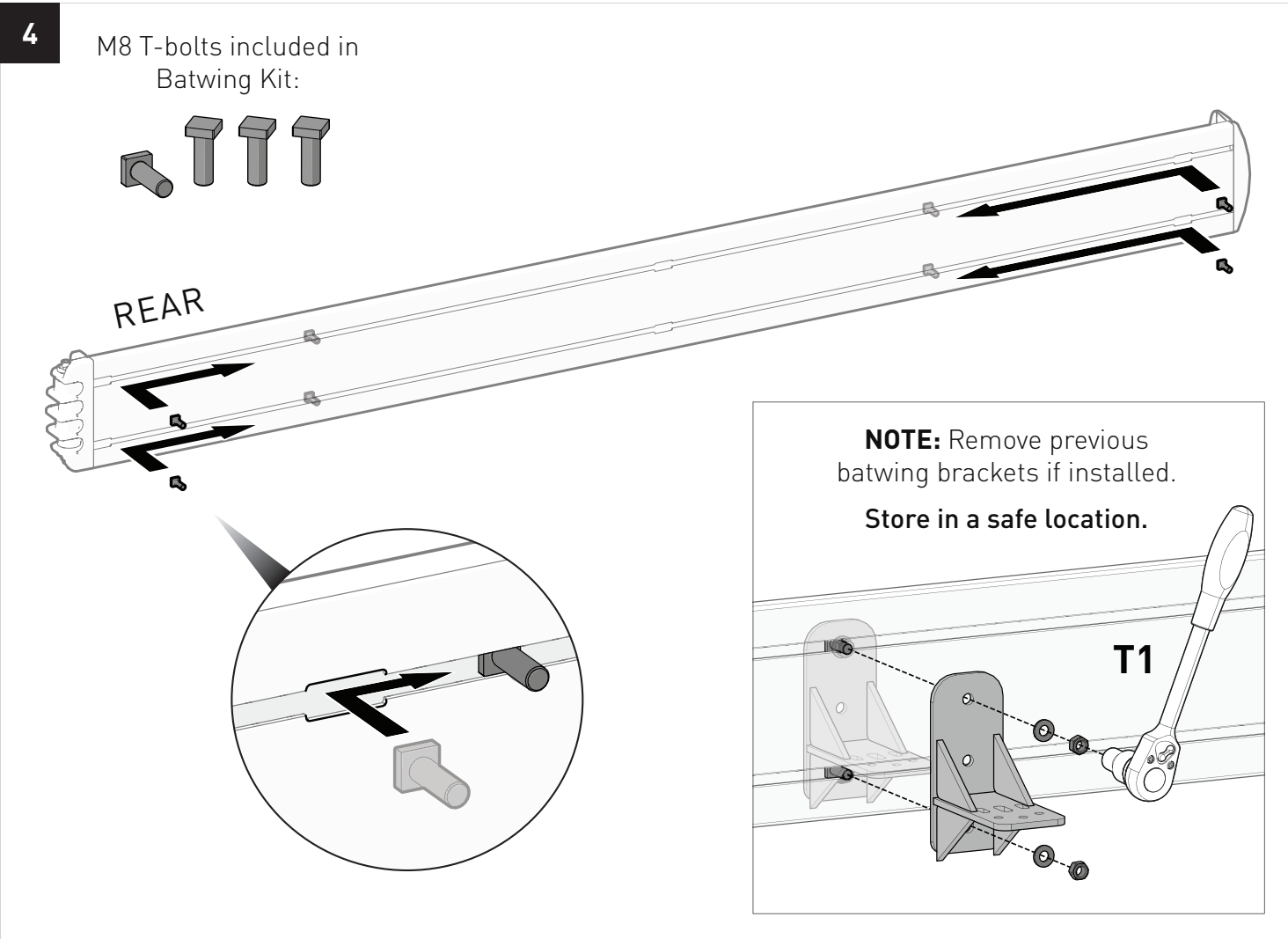
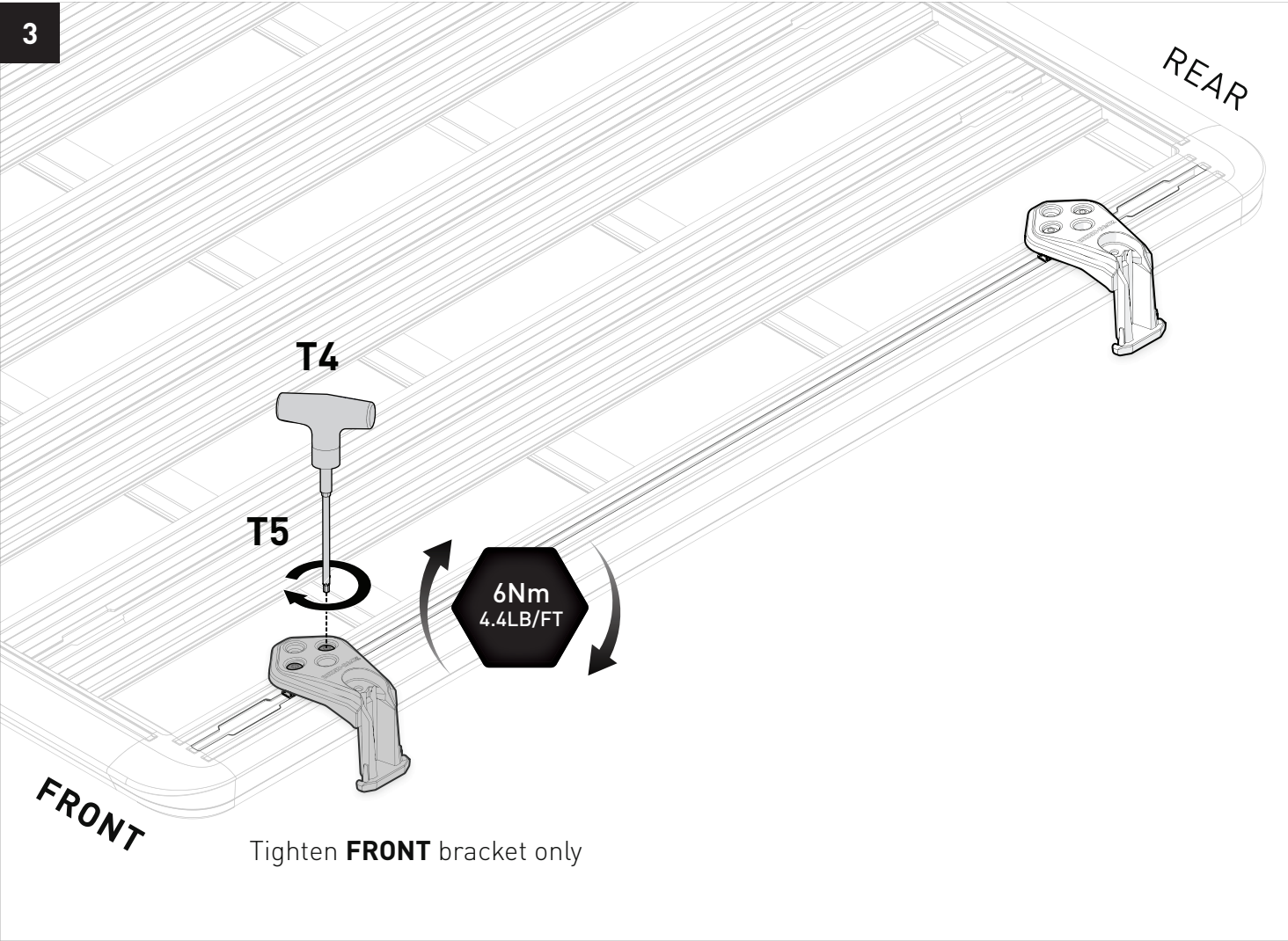
NOTE: Two STOW-IT Base Brackets (from SSIT Starter Kit) needed for this installation.
For Base Bracket installation, refer to SSIT instruction



2 Loosen hardware and move brackets to outermost edges of Platform, **avoiding channel openings.**

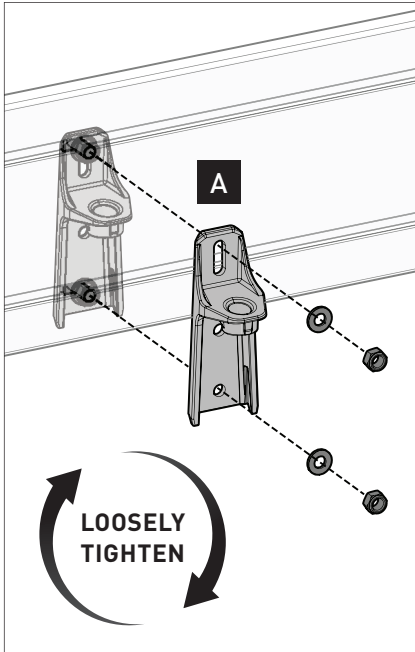
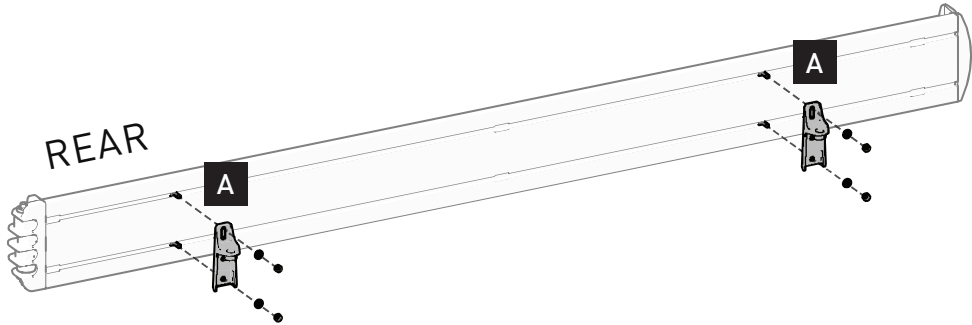
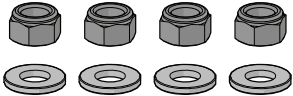


NOTE: Do not place bracket near channel openings



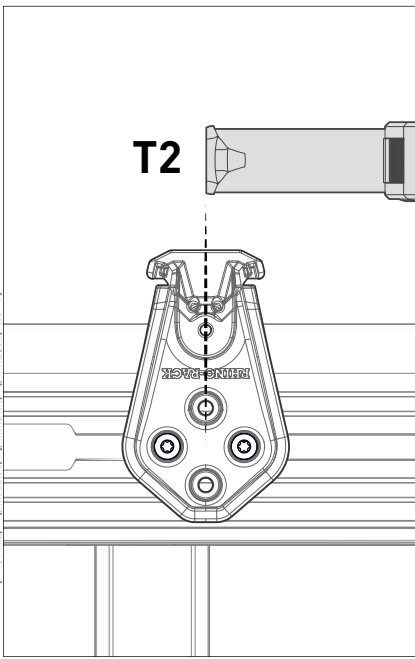
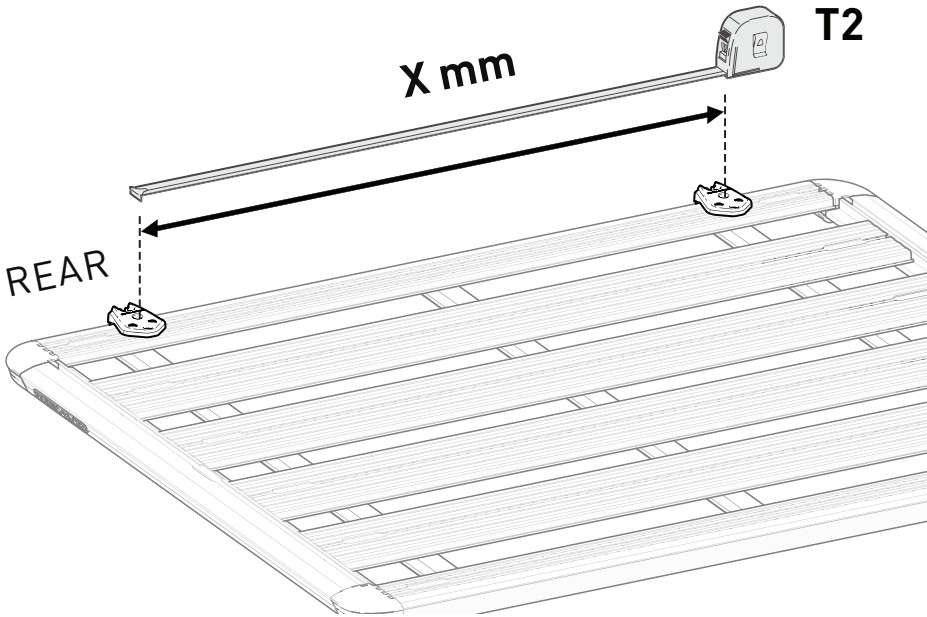
5

M8 Washers and Nyloc Nuts included in Batwing Kit:



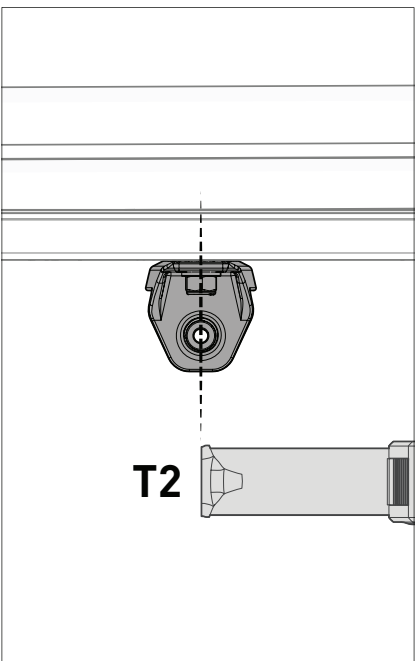
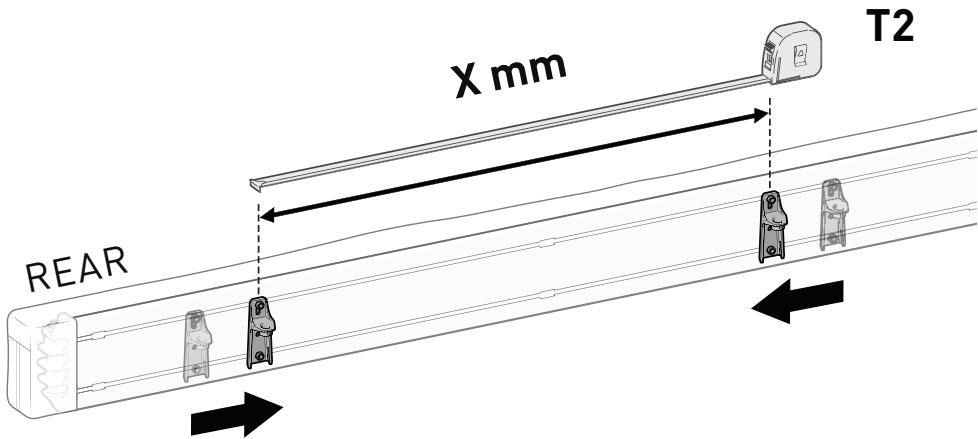
6a

Measure the distance between the Base Brackets from their centers

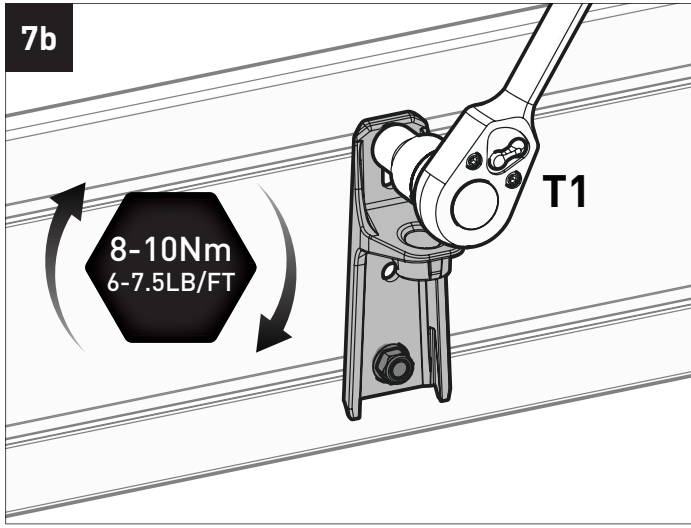
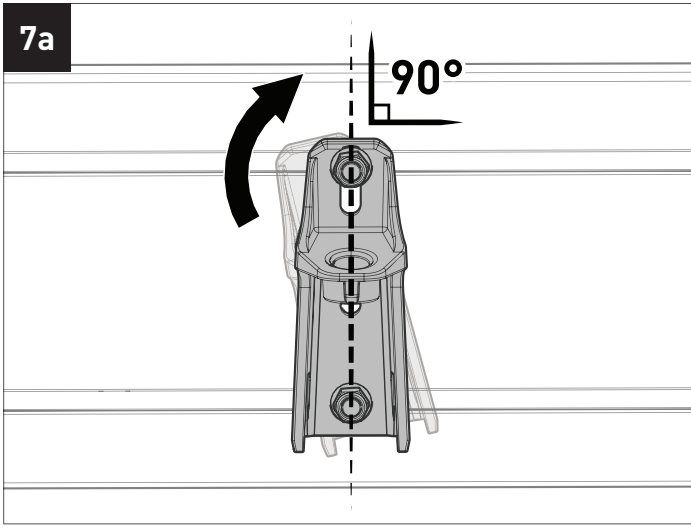
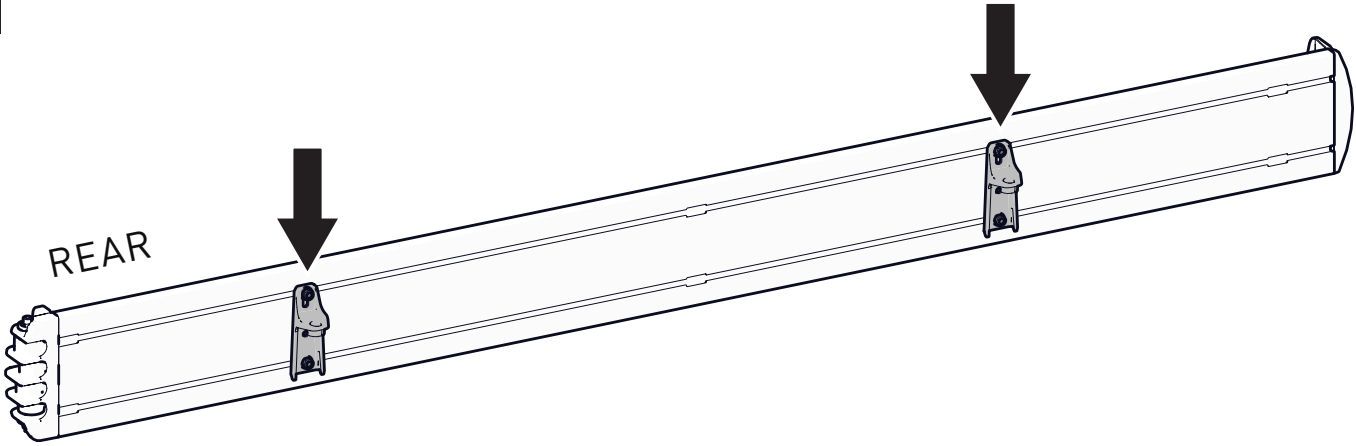


6b

Slide adaptors to match the distance measured in Step 6a



7

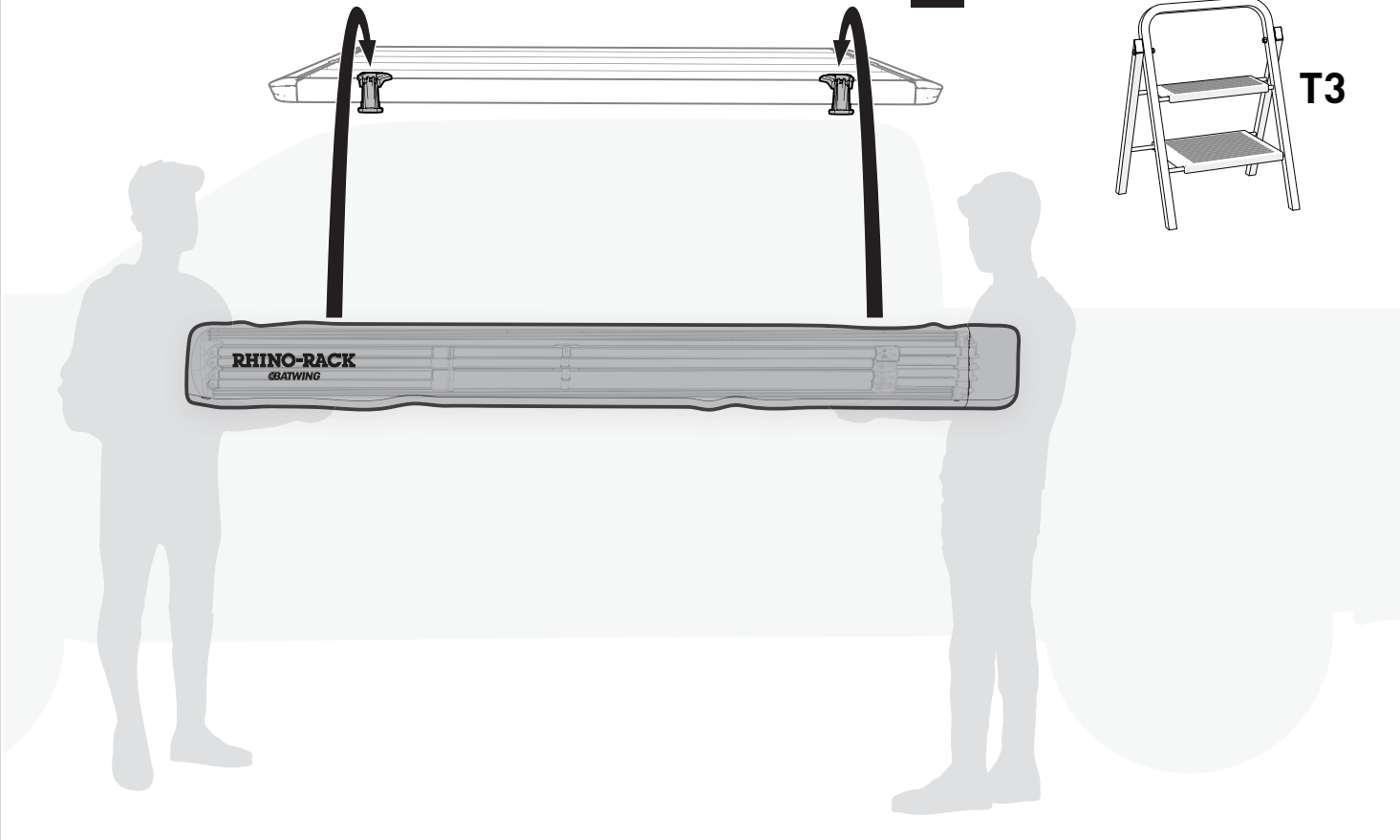


8a

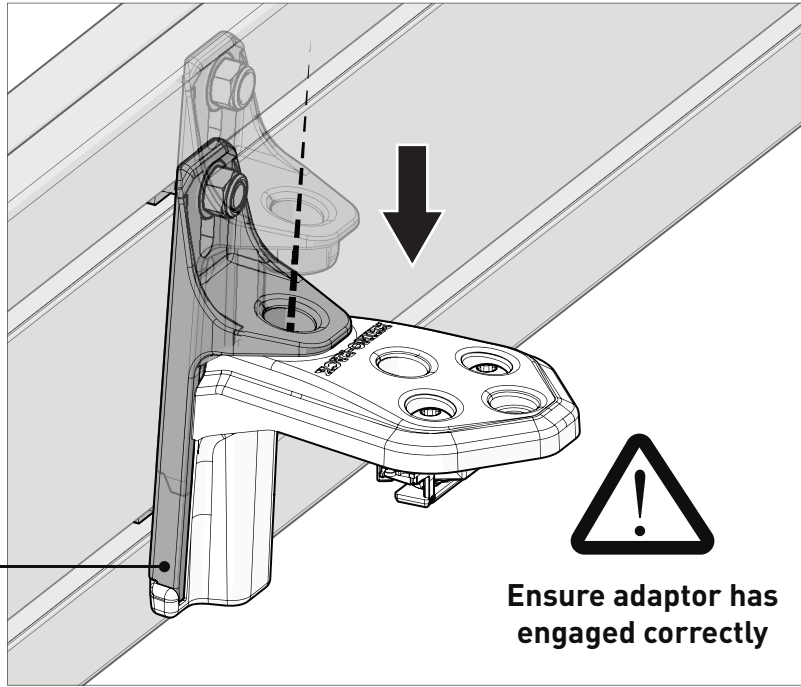
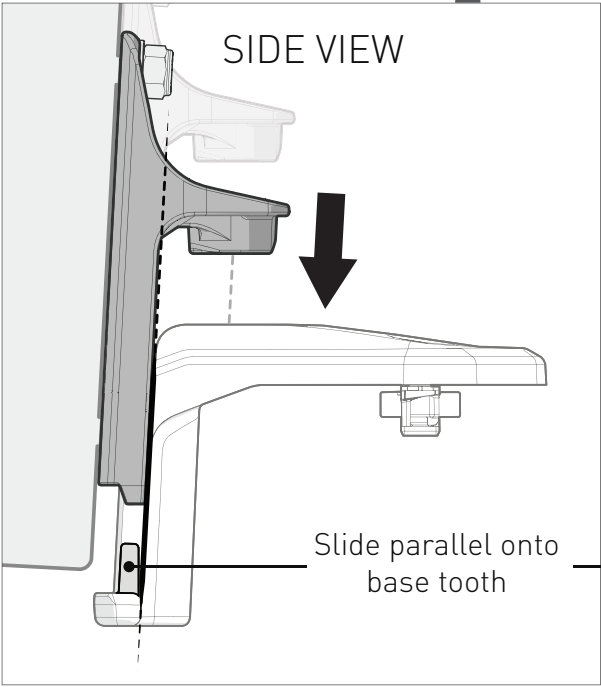
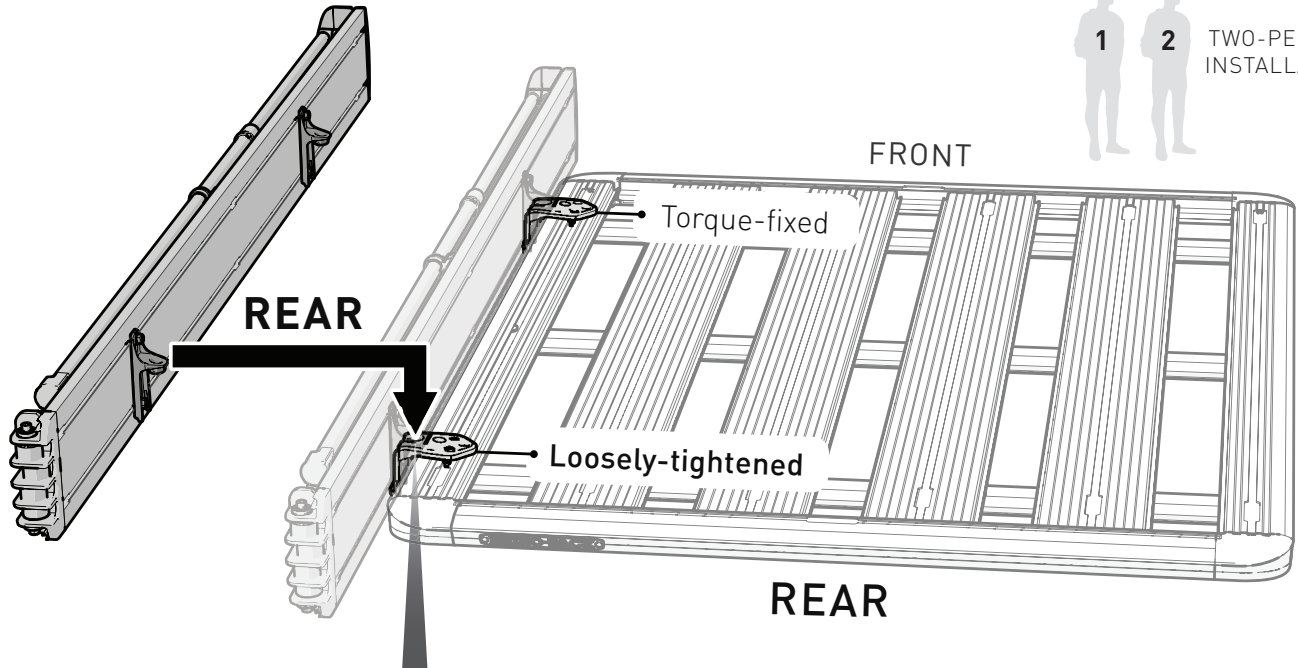
LEFT SIDE

REAR
Refer to Step 8b

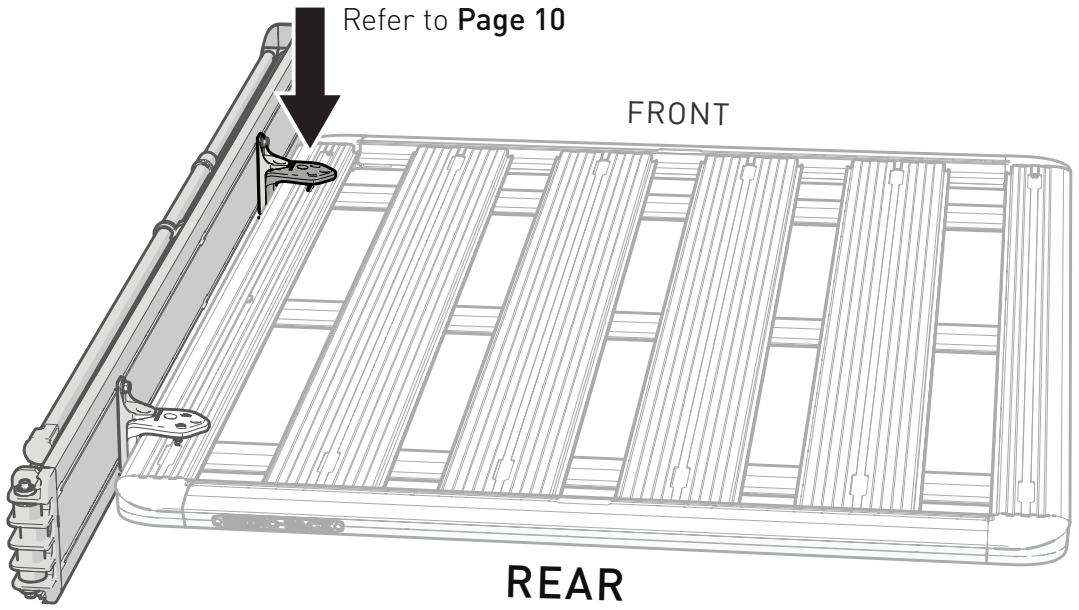
NOTE: Step Ladder may be required for taller vehicles



8b



9





IMPORTANT: Ensure the weight of the Batwing is correctly supported by the brackets. Failure to check bracket engagement may lead to slippage of the Batwing and subsequent damage to side of vehicle. **Inspect both connections overhead before releasing awning.**

