



# RHINO-RACK®

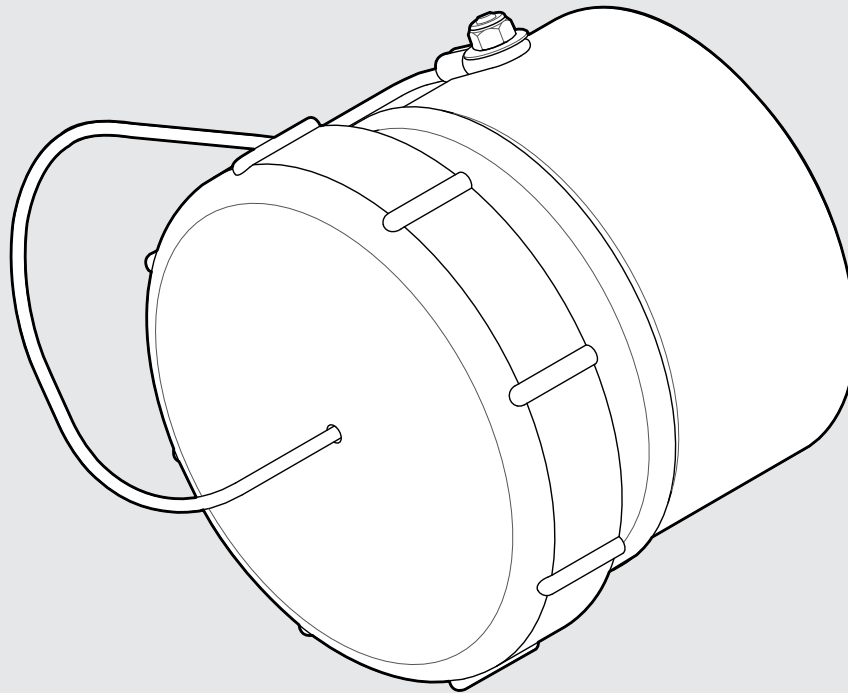
## Conduit Endcap & Sleeve

BEC, BEC 150

**Important:**

1. Check the Rhino-Rack website to ensure you have the latest issue of these instructions.
2. Please refer to your fitting instruction to ensure that the accessory is installed in the correctly.
3. Check the contents of kit before commencing fitment and report any discrepancies.
4. Place these instructions in the vehicle's glove box after installation is complete.
5. These instructions must be followed for warranty to be upheld.

**Fit Time:** 10 min



**Rhino-Rack AUSTRALIA**  
22A Hanson Pl,  
Eastern Creek, NSW, 2766  
(02) 8846 1900  
rhinorack.com.au

**Rhino-Rack USA**  
Unit D, 2450 Airport Blvd,  
Aurora, CO, 80011  
877-744-6622  
rhinorack.com

**Rhino-Rack CANADA**  
19100 Airport Way  
Pitt Meadows, BC V3Y 0E2  
rhinorack.ca

Document No: R2855  
Issue No: 01  
Issue Date: 17/06/2021

## BEC, BEC150 Instructions

---

### Carrying Capacity

---

Refer to vehicle manufacturer's carrying load rating for roof bars.

Ensure that all loads are evenly distributed and that the centre of gravity is kept as low as possible.

### Warning

---

- Do not attempt to fit the accessory to your vehicle unless you fully understand these fitting instructions. Please direct any questions regarding fitting to the dealer from where the product was purchased.
- Off-road conditions can be much more rigorous. Extreme care must be taken in off road conditions.
- Accessory must be removed when vehicle is put through an automatic car wash.
- Always ensure you fasten your load securely.

### In service maintenance checks

---

- All bolted connections should be checked after driving a short distance when you first install your roof racks & accessories.
- All bolted connections should be checked again at regular intervals (every 1000k (621mi) is recommended, depending on road conditions, usage, loads and distances travelled). All bolted connections should be checked each time they are re-fitted.

#### Torque Settings

Unless stated otherwise in these instructions, all fasteners should be set to the following torque settings:

M6: 4-5Nm (3-4lbs/ft), M8: 8-10Nm (6-7.5lbs/ft) M10: 16-18Nm (12-13lbs/ft).

### Sensitivity to Crosswinds, Behaviour in Curves and Braking.

---

Remember that the handling characteristics of your vehicle will change when transporting a load on the roof.

Exercise extreme care when transporting wind-resisting loads; special consideration must be taken into account when braking.

### Note for Dealers and Fitters

---

It is your responsibility to ensure these fitting instructions are given to the end user or client. These instructions remain the property of Rhino-Rack Australia Pty. Ltd. and may not be used or changed for any other purpose than intended.

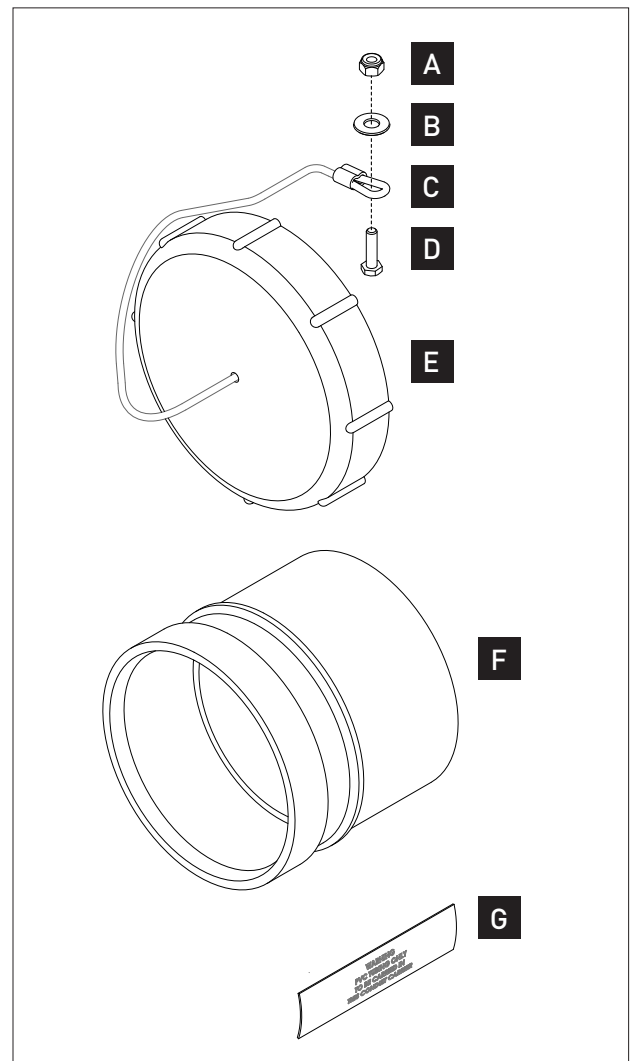
**Parts List**

**FOR BEC End Cap & Sleeve (100mm)**

Item	Component Name	Qty
A	M5 Nyloc Nut	1
B	3/16" x 3/4" Flat Steel Washer	1
C	Trace Wire	1
D	M5 Hex Setscrew	1
E	100mm Threaded Orange Cap	1
F	100mm Threaded PVC Sleeve	1
G	Yellow Warning Sticker	1
H	Instructions	1

**FOR BEC150 End Cap & Sleeve (150mm)**

Item	Component Name	Qty
A	M5 Nyloc Nut	2
B	3/16" x 3/4" Flat Steel Washer	1
C	Trace Wire	1
D	M5 Hex Setscrew	1
E	150mm Threaded PVC Cap	1
F	150mm Threaded PVC Sleeve	1
G	Yellow Warning Sticker	1
H	Instructions	1



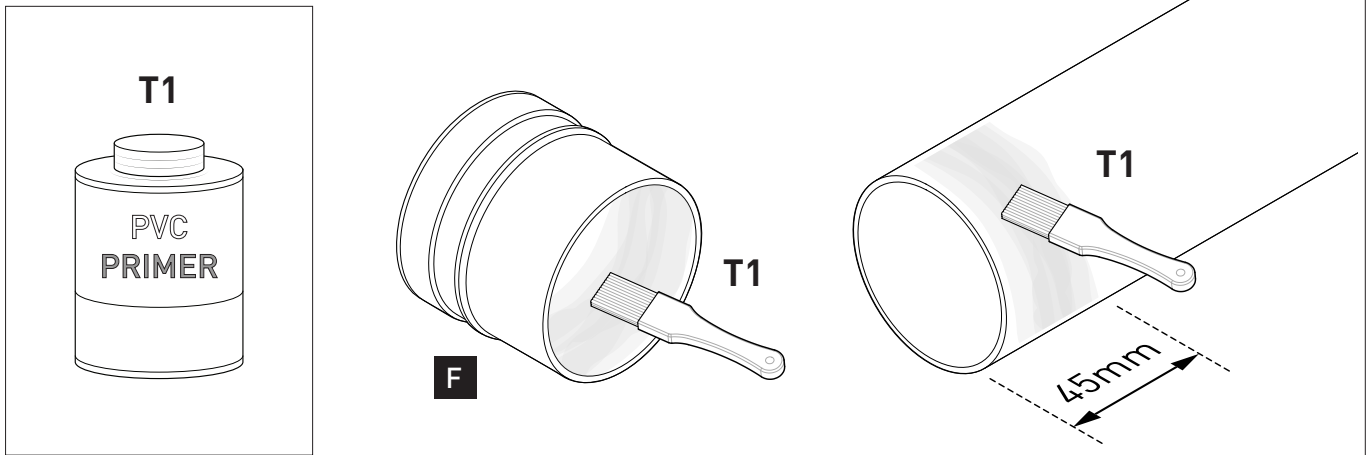
**NOTE:**

- PVC Primer & Cement must be nearby and prepared prior to application as the cement must be applied immediately after the primer.
- Follow the PVC Primer & Cement guidelines prior to application to ensure its effectiveness.

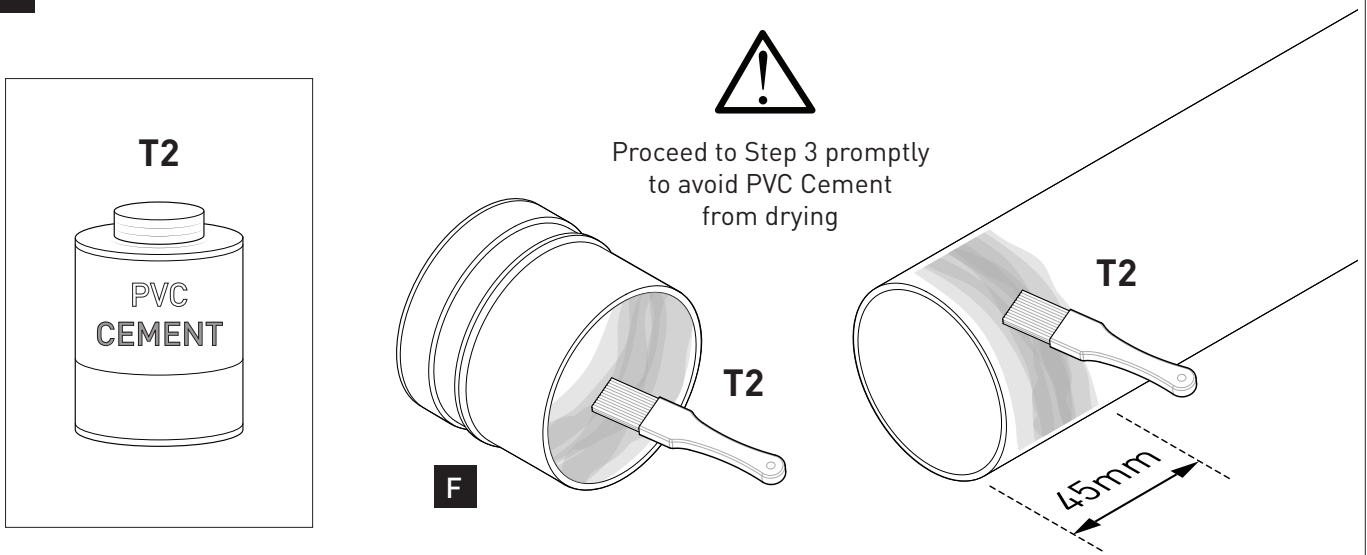
**Tools Required:**

- T1 - PVC Primer & Brush
- T2 - PVC Cement & Brush
- T3 - Drill
- T4 - 5mm Drill Bit
- T5 - 8mm Spanner/ Socket Wrench
- T6 - Rag

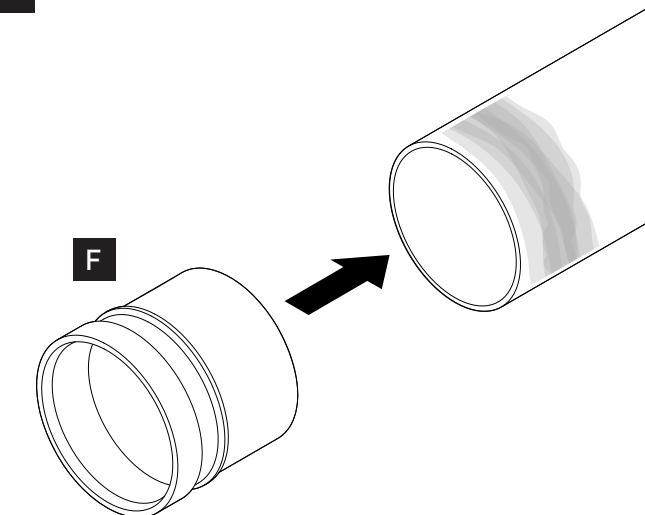
- 1** Apply PVC Primer to both the outside of the conduit pipe (up to 45mm from the end) and the inside of the sleeve.



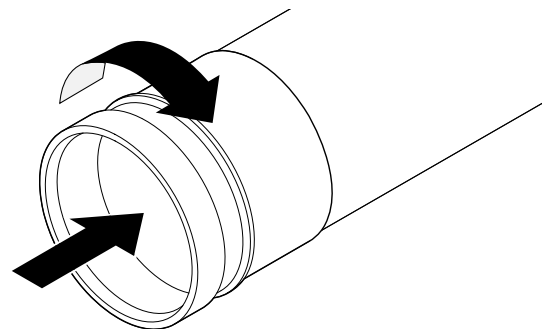
- 2** Apply PVC Cement over the top of the PVC Primer.



- 3** Immediately slide sleeve onto conduit.



- 4** Rotate cap 1/4 turn and hold together tightly for 10 seconds to keep in position.



**NOTE:** Primer & Cement requires 24hrs to cure, however proceed to next step immediately.



24 hours

